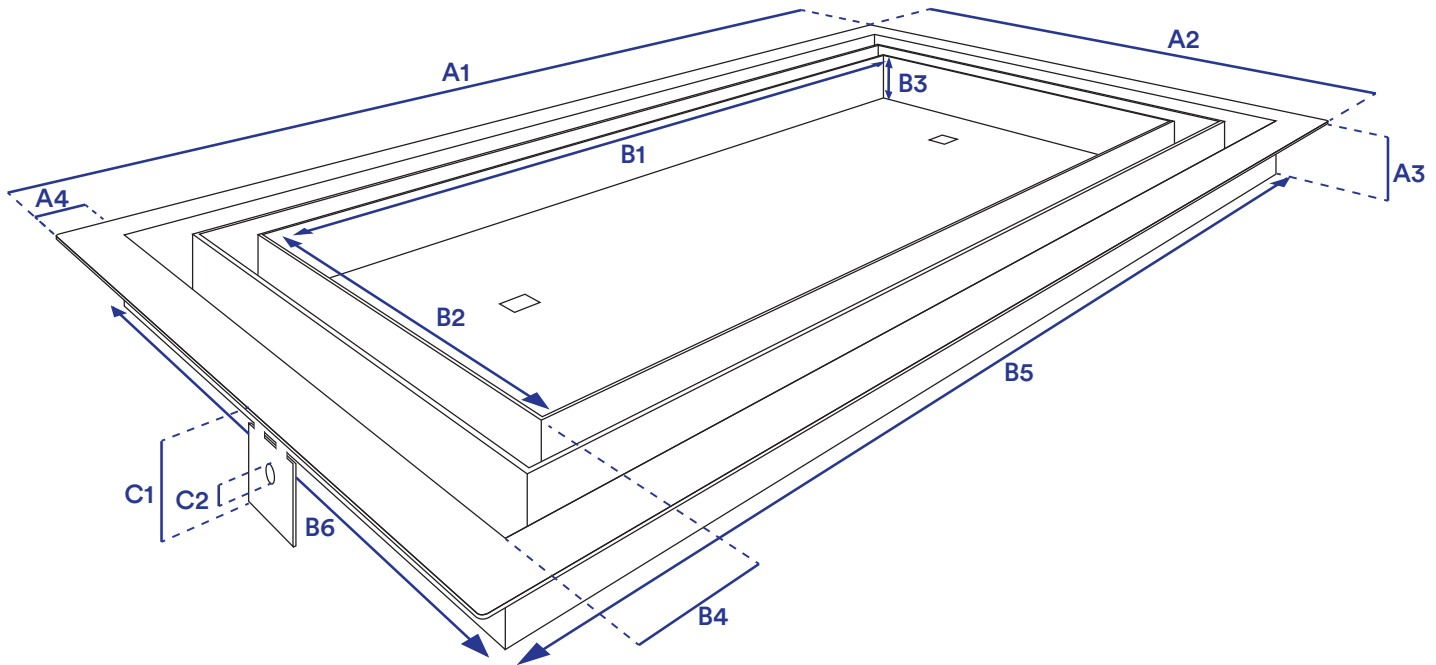




Aria OG - Air Return
Specification Sheet

Perspective View



Component Dimensions

Imperial

Metric

	8" x 14 1/4"	8" x 30 1/4"		8" x 14 1/4"	8" x 30 1/4"
A1	15 7/16"	31 3/8"	A1	392 mm	797 mm
A2	9 3/16"	9 5/16"	A2	233 mm	237 mm
A3	7/8"	15/16"	A3	22 mm	24 mm
A4	5/8"	5/8"	A4	16 mm	16 mm
B1	11 7/8"	27 7/8"	B1	302 mm	708 mm
B2	5 11/16"	5 11/16"	B2	144 mm	144 mm
B3	3/4"	3/4"	B3	19 mm	19 mm
B4	1 1/8"	1 1/8"	B4	28 mm	28 mm
B5	14 1/4"	30 1/4"	B5	362 mm	768 mm
B6	8"	8"	B6	203 mm	203 mm
C1	1 3/4"	1 3/4"	C1	45 mm	45 mm
C2	3/16"	3/16"	C2	5 mm	5 mm

Components:

Tray: Insert finished surface material. Can slide and remove to access the duct.

Body: The outer shell of the vent that houses the tray.

Install Note:

This unit can be retrofitted and installed after the finish surface. Use your surface material to customize vent.

Compatible Surface Materials:

Tile, mosaic, hardwood, laminate, carpet, cork, drywall etc.

Air Flow Control:

No air flow control on this model