



ARIA

We make seriously beautiful vents.

Collection





The Originals

[07]

- [09] Aria OG
- [11] Aria OG [Air Return]
- [13] Flushmount Pro
- [15] Drywall Pro
- [17] Drywall Pro [Air Return]
- [19] Drywall Pro X [Exhaust Fan]

The Lites

[21]

- [23] Aria Lite
- [25] Flushmount Lite
- [27] Drywall Lite [Bead]
- [29] Drywall Lite [Frame]
- [31] Compare Models

Accessories

[33]

- [35] Drywall Receptacle Mount
- [37] Brack-14 Kit
- [38] No-See Niche
- [39] WC Niche
- [41] Anywhere Niche



Our Vision

We make thoughtful, minimalist design products that are beautiful, functional and badass.

Vents were just the beginning. Today, our business is evolving into new product categories that follow our core design principles: Simple. Modular. Functional.

Aria Vent was built on the belief that beauty and function can coexist. Our focus is to innovate building components that have been left behind by modern design trends.

That is the future of our little vent company...





A Letter From The Founder

In 2016, my dad Paolo, and I started Aria Vent in a tiny 10'x10' storage locker as a small side hustle. Armed with an innovative product, we set out on a mission; to reinvent vents.

As a disruptor, the industry didn't realize they needed Aria Vent. We had to create the demand by taking it directly to consumers - online. Aria Vent was catching speed with contractors, and the industry took notice.

Full circle, now Aria Vent products are becoming an industry standard. Aria Vent is sold in local specialty retailers (yay!) and big box stores (big yay!) across Canada and the US.

Our products have been awarded patents, and are still proudly manufactured in Canada. Today, our company has evolved into more than vents. We also make accessories, building materials, receptacle mounts and more.

Every Aria Vent product that goes through our facility (now much larger than 10'x10'- thankfully) is overseen by our team of 10 employees. We are still a tiny business, with very big goals. We just want to make cool, innovative stuff for cool, innovative spaces.

– Roberta Mantenuto



“Aria’s principle is to curiously challenge the status quo and find margins for innovation.”



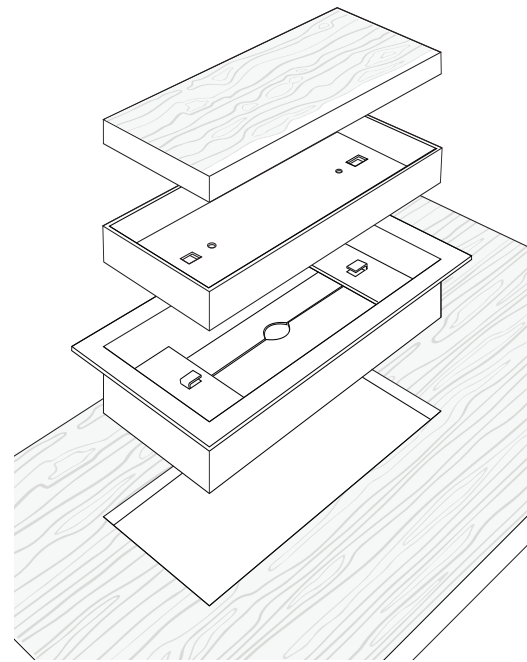
[07]

The Originals

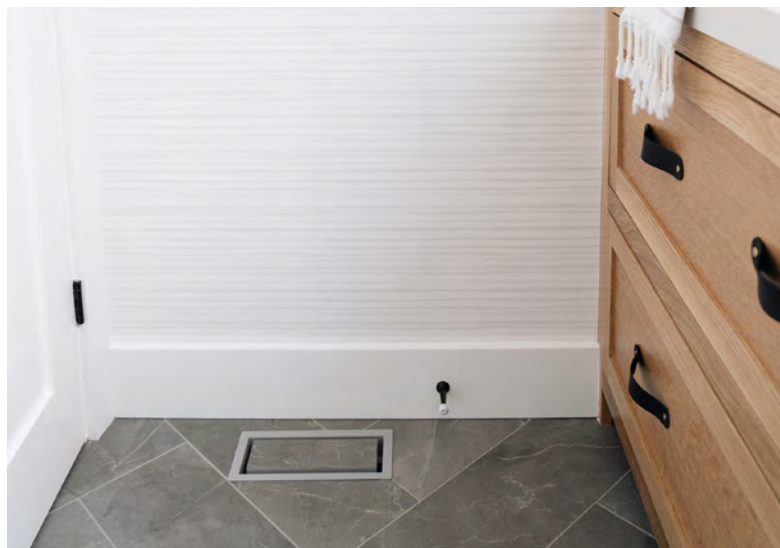
Our innovative solid steel models – a combination of Pro and DIY styles.

| | |
|-----------------------------|--------|
| Aria OG | [09] |
| Aria OG [Air Return] | [11] |
| Flushmount Pro | [13] |
| Drywall Pro | [15] |
| Drywall Pro [Air Return] | [17] |
| Drywall Pro X [Exhaust Fan] | [19] |






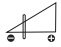


-  POWDER COATED STEEL
-  CEILINGS FLOORS WALLS
-  ADJUST AIRFLOW
-  TOP-MOUNT INSTALL
-  DIY INSTALL



Aria OG

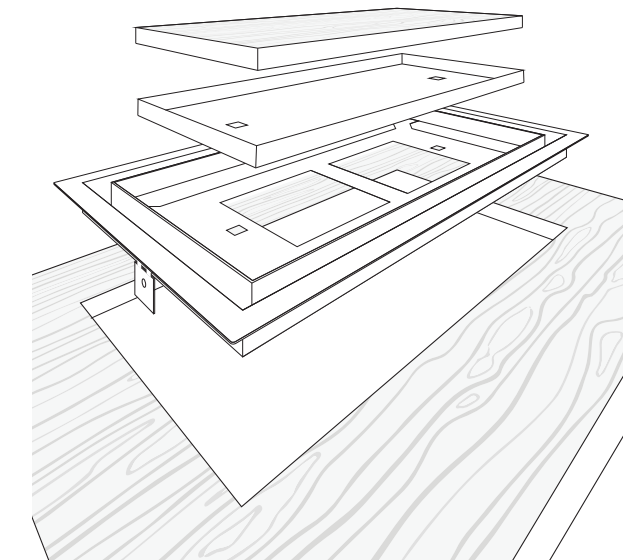
The original "OG" is the go-to minimalist-framed vent. This solid steel vent can be retrofitted to any surface. Easy drop-in install is DIY friendly.

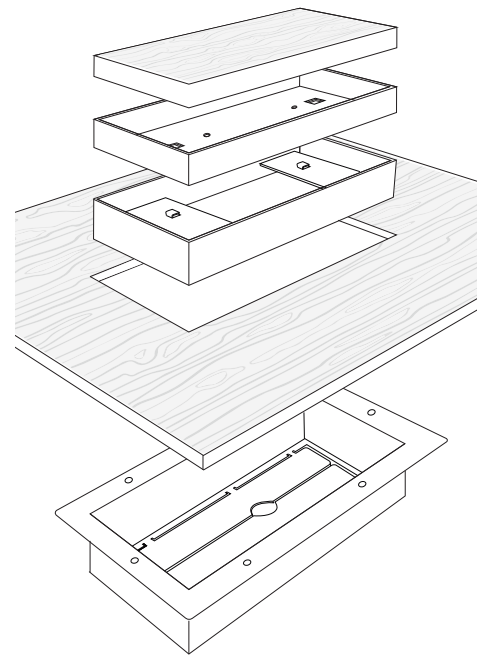


-  POWDER COATED STEEL
-  CEILINGS FLOORS WALLS
-  ADJUST AIRFLOW
-  TOP-MOUNT INSTALL
-  DIY INSTALL

Aria OG [Air Return]

The original "OG" equipped with a double air channel to maximize open free area.





- 

POWDER
COATED
STEEL
- 

CEILINGS
FLOORS
WALLS
- 

ADJUST
AIRFLOW
- 

SUB-
FLOOR
INSTALL
- 

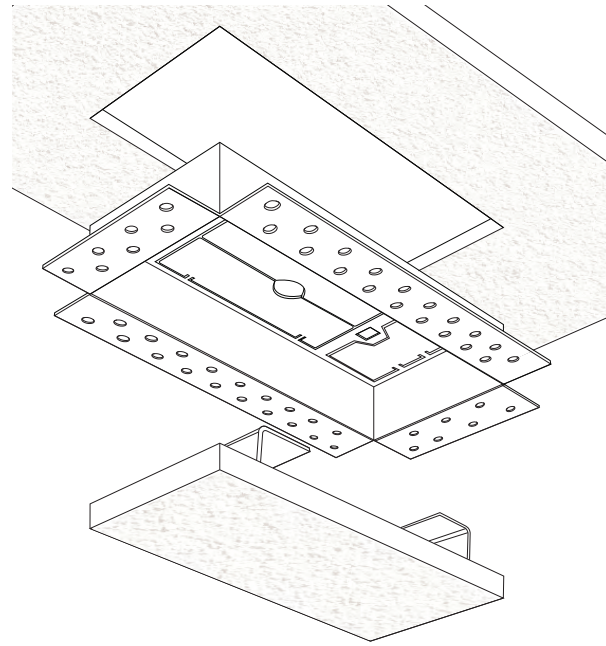
PRO
INSTALL



Flushmount Pro

The ultra-minimal, frameless floor vent. Flush with no rim - only a single rectangular air channel is visible. This model must be mounted prior to the surface.





- 

POWDER
COATED
STEEL
- 

ONLY
CEILINGS
WALLS
- 

ADJUST
AIRFLOW
- 

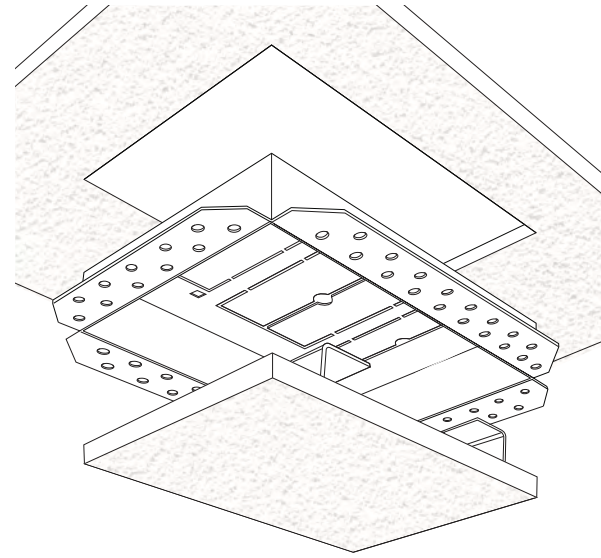
DRYWALL
MUDDING
- 

PRO
INSTALL

Drywall Pro

This model has a drywall bead frame that contours the vent into the drywall surface. Once installed, only a single rectangular air channel is visible.



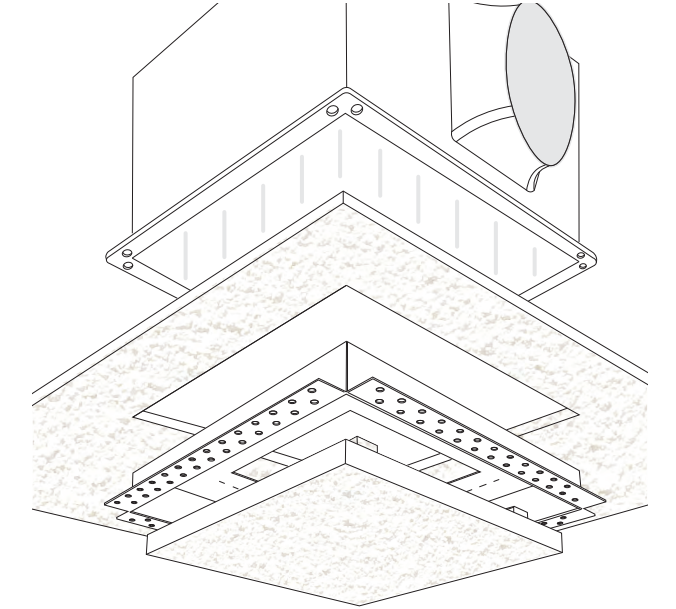


-  POWDER COATED STEEL
-  ONLY CEILINGS WALLS
-  ADJUST AIRFLOW
-  DRYWALL MUDDING
-  PRO INSTALL



Drywall Pro [Air Return]

Designed with a larger air channel to maximize open free area. Contours seamlessly into drywall.



-  POWDER COATED STEEL
-  ONLY CEILINGS WALLS
-  ADJUST AIRFLOW
-  DRYWALL MUDDING
-  PRO INSTALL



Drywall Pro X [Exhaust Fan]

This model has a dual design - it can be used as an exhaust fan cover or as a cold air return. Made with a drywall bead frame that contours into the drywall surface.

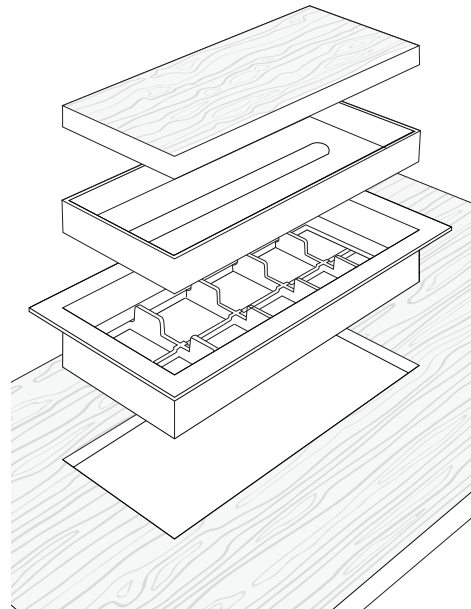
[21]

The Lites

Price-conscious alternatives to our solid steel Original Collection. Same aesthetic but incorporating high-grade ABS plastic.

- Aria Lite [23]
- Flushmount Lite [25]
- Drywall Lite [Bead] [27]
- Drywall Lite [Frame] [29]
- Compare Models [31]

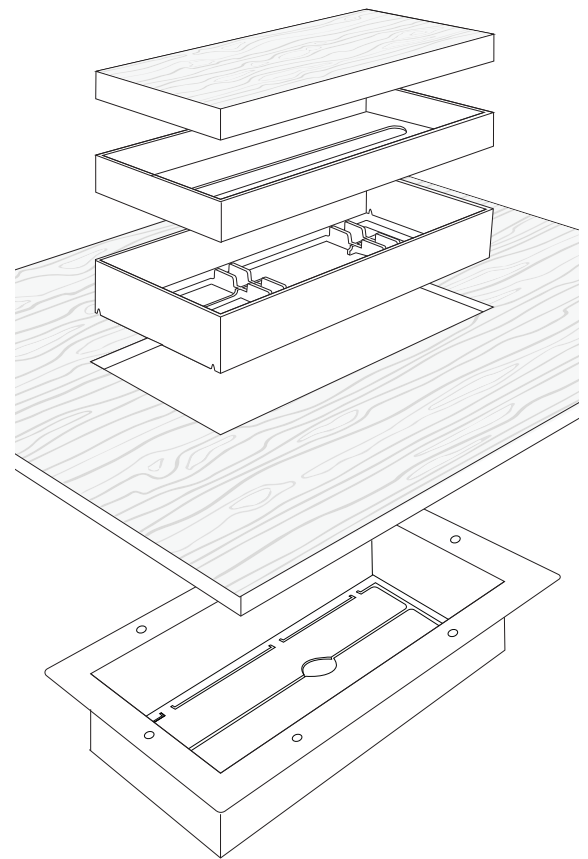




Aria Lite

The plastic version of our minimalist framed “OG” vent. This model can withstand heavier food traffic than its Original counterpart.

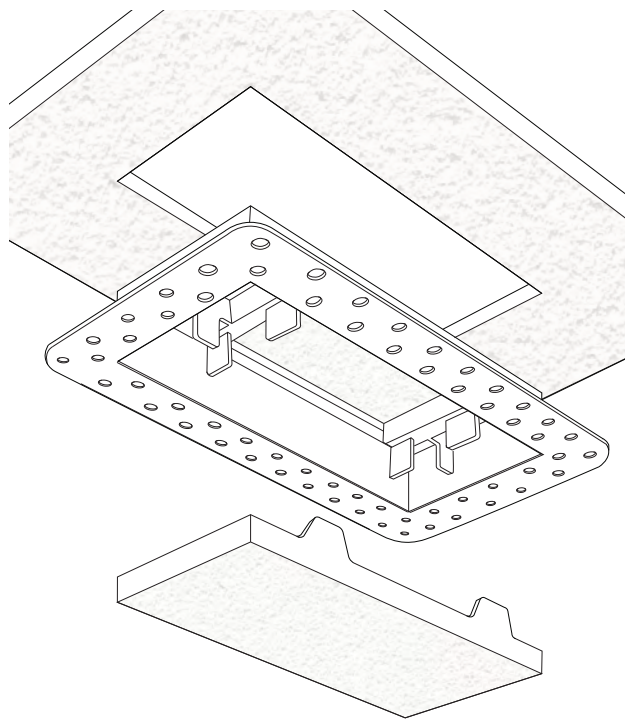




- ABS PLASTIC
- POWDER COATED STEEL
- CEILINGS FLOORS WALLS
- ADJUST AIRFLOW
- SUB-FLOOR INSTALL
- PRO INSTALL

Flushmount Lite

Made in a combination of ABS Plastic and solid steel. Once installed, you can't tell the Flushmount Lite and Pro apart.



- 

ABS
PLASTIC
- 

ONLY
CEILINGS
WALLS
- 

FREE
AIRFLOW
- 

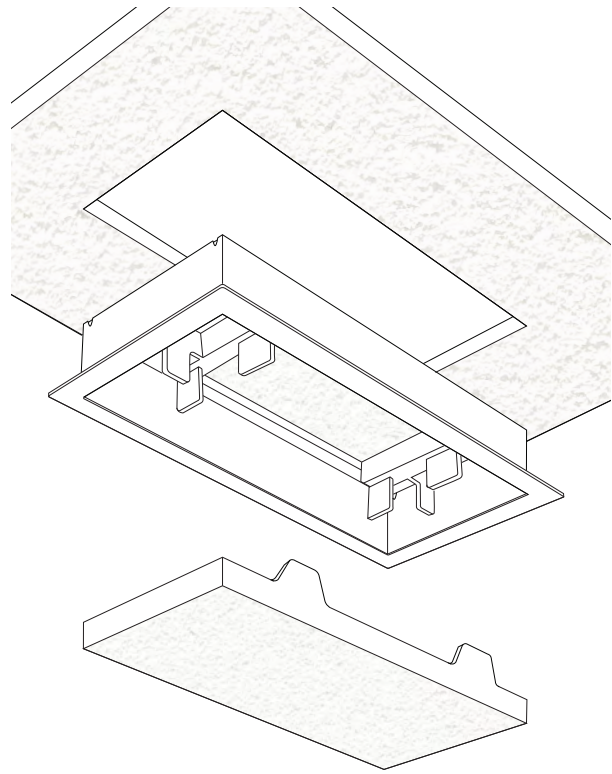
DRYWALL
MUDDING
- 

PRO
INSTALL



Drywall Lite [Bead]

Equipped with a light-weight drywall bead that contours into the surface. Once installed, it is identical to its Original counterpart.



Drywall Lite [Frame]

Super-easy, top mount install that lays on top of drywall surface. No mudding required.



The Originals



Aria OG
[Air Register & Return]

Flushmount Pro

Drywall Pro

Drywall Pro
[Air Return]

Drywall Pro X
[Exhaust Fan]

POWDER COATED STEEL

POWDER COATED STEEL

POWDER COATED STEEL

POWDER COATED STEEL

POWDER COATED STEEL

CEILINGS FLOORS WALLS

CEILINGS FLOORS WALLS

CEILINGS WALLS

CEILINGS WALLS

CEILINGS WALLS

ADJUST

ADJUST

ADJUST

ADJUST

ADJUST

DIY

PRO

PRO

PRO

PRO

TOP-MOUNT

SUB-FLOOR

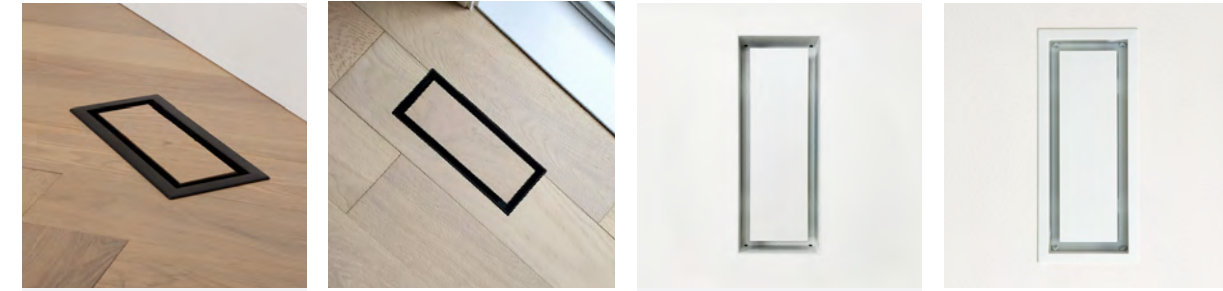
DRYWALL MUDDING

DRYWALL MUDDING

DRYWALL MUDDING

Compare Models

The Lites



Aria Lite

Flushmount Lite

Drywall Lite
[Bead]

Drywall Lite
[Frame]

ABS PLASTIC

PIASTIC /METAL HYBRID

ABS PLASTIC

ABS PLASTIC

CEILINGS FLOORS WALLS

CEILINGS FLOORS WALLS

CEILINGS WALLS

CEILINGS WALLS

FREE

ADJUST

FREE

FREE

DIY

PRO

PRO

DIY

TOP-MOUNT

SUB-FLOOR

DRYWALL MUDDING

TOP-MOUNT

Compare Models

Compare Models

MATERIAL

APPLICATION

AIRFLOW

INSTALL DIFFICULTY

INSTALL STAGE

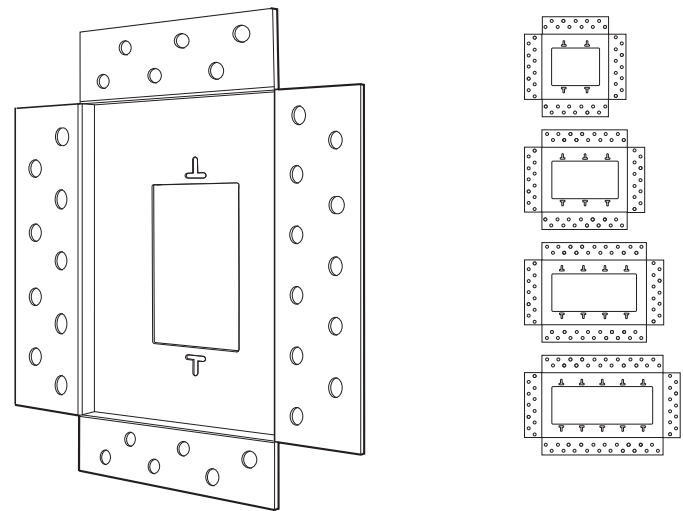
[33]

Accessories

Quality products that solve design challenges with simple, beautiful solutions.

- Drywall Receptacle Mount [35]
- Brack-14 Kit [37]
- No-See Niche [38]
- WC Niche [39]
- Anywhere Niche [41]



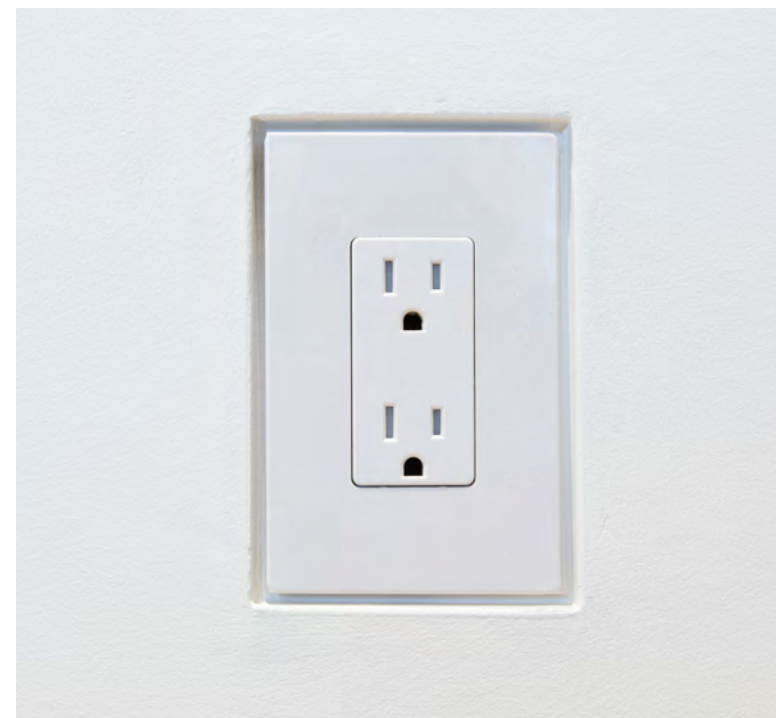


Drywall Receptacle Mount

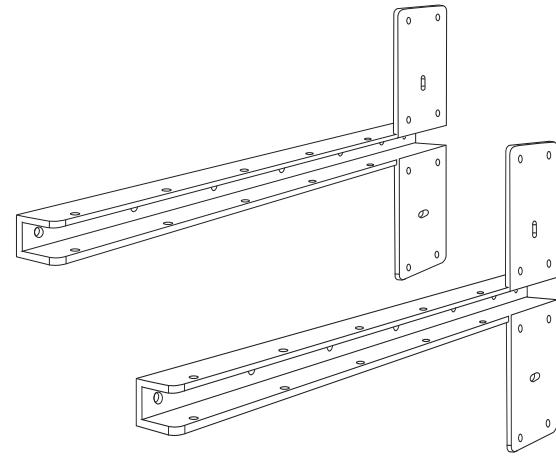
Integrate 3rd party wall plates (light switches, outlets, etc.) flush to drywall surface. Available in 1 gang to 5 gang.



Accessories

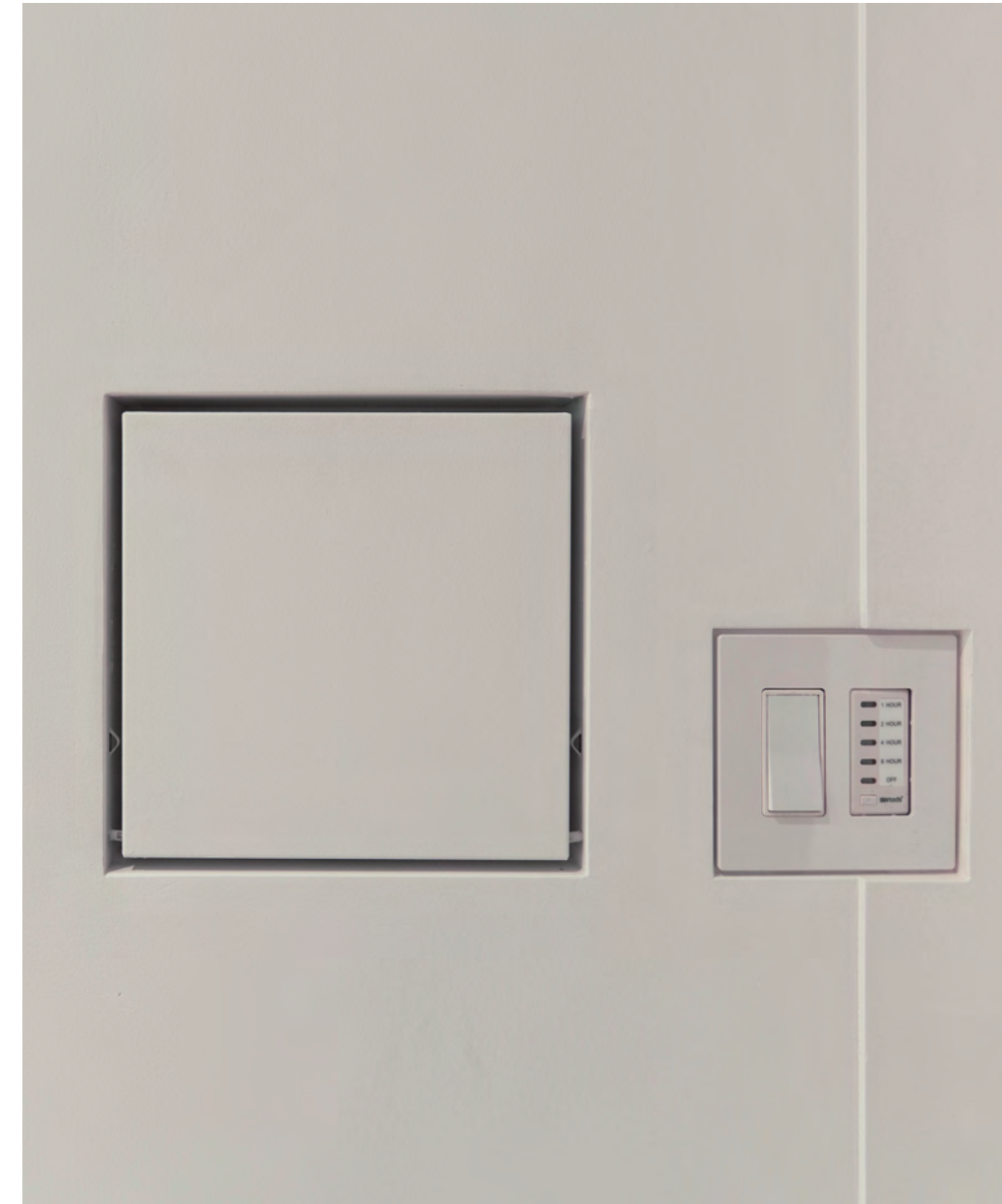


Accessories



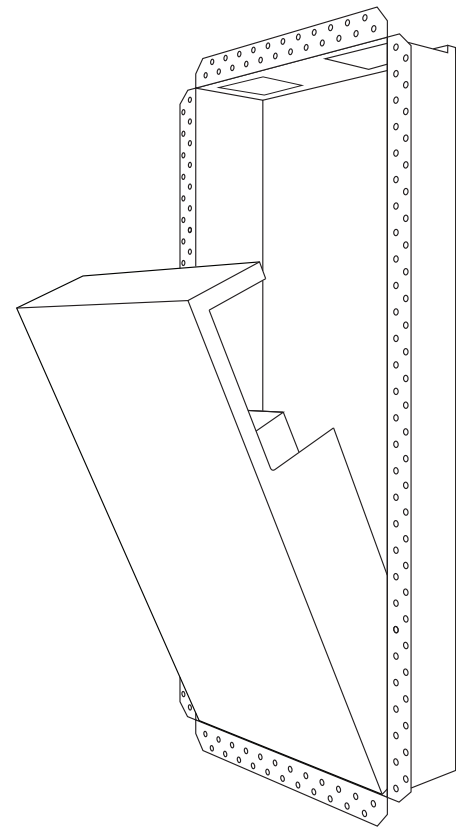
Brack-14 Kit

Structural support kit built to hold anything that suspends from a wall (floating benches, shower seats, cabinets and more). The modular design can be configured to accommodate any span, and heavy loads.



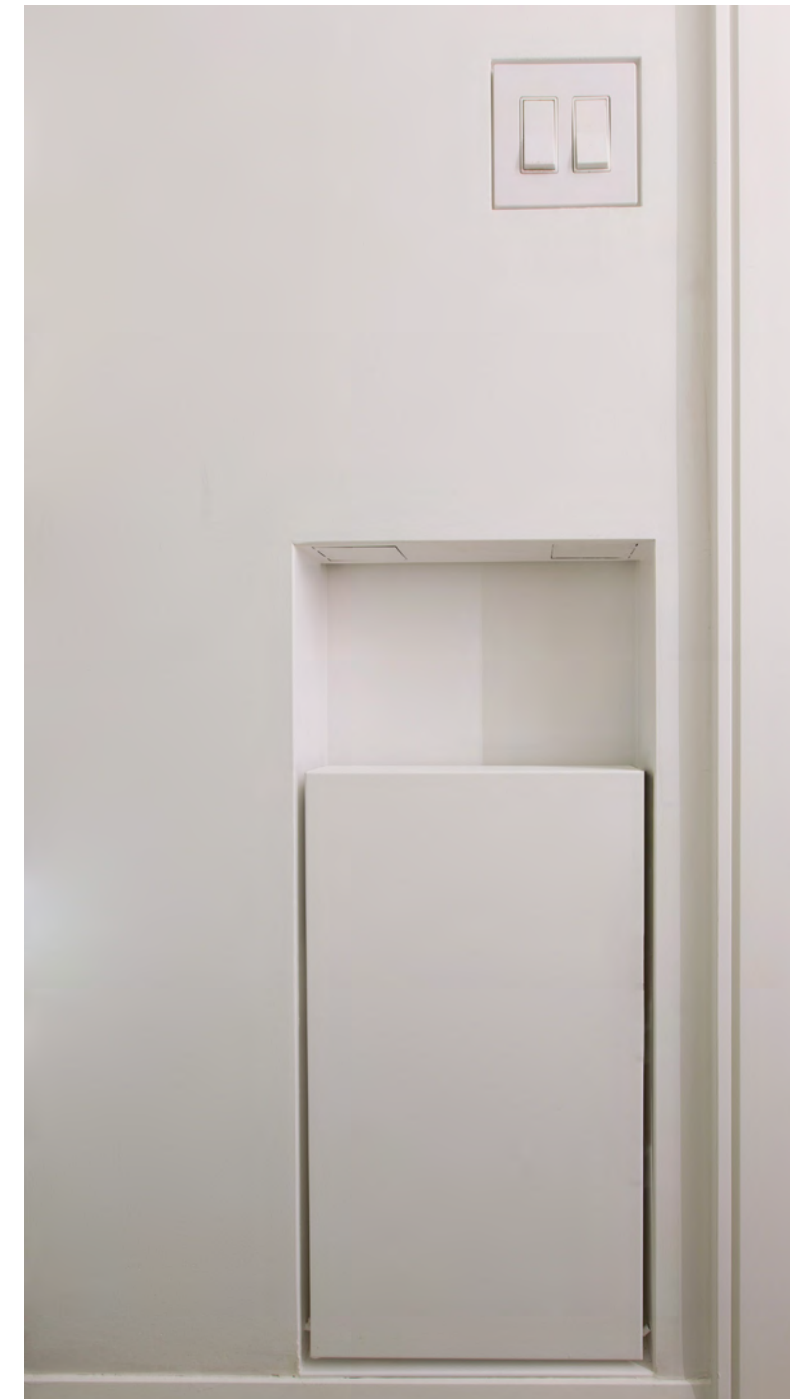
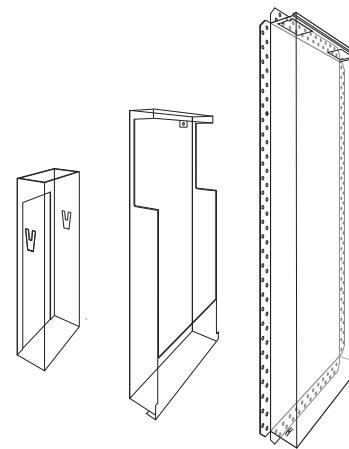
No-See Niche

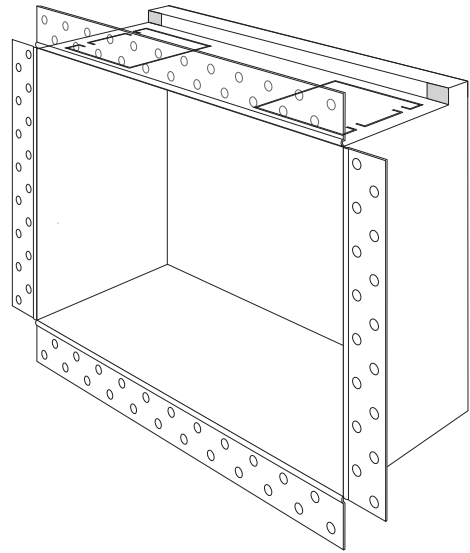
Recessed, hinged-door niche that contours into any drywall surface. Conceal your alarm pad, internet router, and any odd things that stick out of your wall.



WC Niche

Essential minimalist bathroom kit that discreetly holds all of your bathroom-y stuff. Designed with a hidden door that stores a garbage bin, toilet bowl brush, extra toilet paper, and more.





Anywhere Niche

A recessed shelf installed flush to the drywall. Use it as a toilet paper holder, to store keys at the front door, or for spices in the kitchen. Where there's a shelf, this can happen.





A Special Thank You...

| | |
|---|------------|
| Montana Labelle Design (montanalabelle) | 1, 11 |
| Mod Life Inc. (@modlifeinc) | 3 |
| Leclair Decor (leclairdecor) | 4, 9 |
| KODAIinteriors (@koda.interiors), Sonia V Photo (@soniavphoto) & Onyx Design Build (@onyxdesignbuild) | 4, 23 |
| Tankersley Construction (@tankersley_construction) & Nicole Dianne (@nicolediannephoto) | 8 |
| Monica Healy (@monicahealyphotography) | 10 |
| Gitt Construction (@gittibr) & Mandy McGregor Photography (@mandymcgregorphoto) | 15, 16, 17 |
| SMR Construction Inc. (@smr_constructioninc) & Styled Maison (@styledmaison) | 16 |
| JR Design (@jacquelinerezekdesign) | 18 |
| Wynford Homes (@wynfordhomes) & Bianca Reino (@biancareino) | 14, 24 |
| Ke Design Collective (@kedesigncollective) | 22 |
| Avenue Design Inc. (@avenuedesigninc) & Aia Photo Video (@aiaphotovideo) | 25 |
| Goesling Group (@goeslinggroup) & Cassandra Photo (@cassandraphoto) | 43 |





www.ariavent.com

@ariavent

