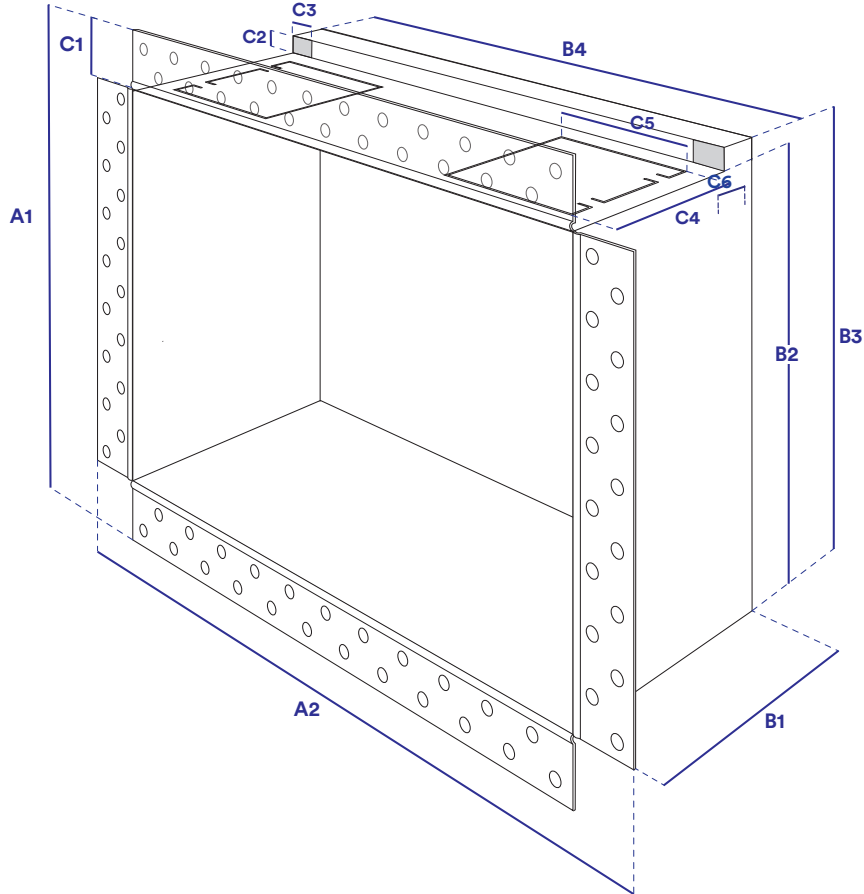




Custom Vent Solutions

Anywhere Niche Model Specification Sheet



Component Dimentions:

	Inches	mm
A1	10 $\frac{3}{4}$ "	273mm
A2	14 $\frac{7}{16}$ "	367mm
B1	3 $\frac{7}{8}$ "	98mm
B2	8 $\frac{1}{4}$ "	210mm
B3	8 $\frac{13}{16}$ "	224mm
B4	12"	304mm
C1	1 $\frac{1}{4}$ "	32mm
C2	$\frac{1}{2}$ "	13mm
C3	$\frac{1}{2}$ "	13mm
C4	2 $\frac{1}{4}$ "	58mm
C5	3"	76mm
C6	$\frac{1}{2}$ "	12.5mm

Components:

Material: Powder coated surface to be finished with paint or wallpaper.

Application: Corner bead edge to be fastened to surface and finished with drywall mud.