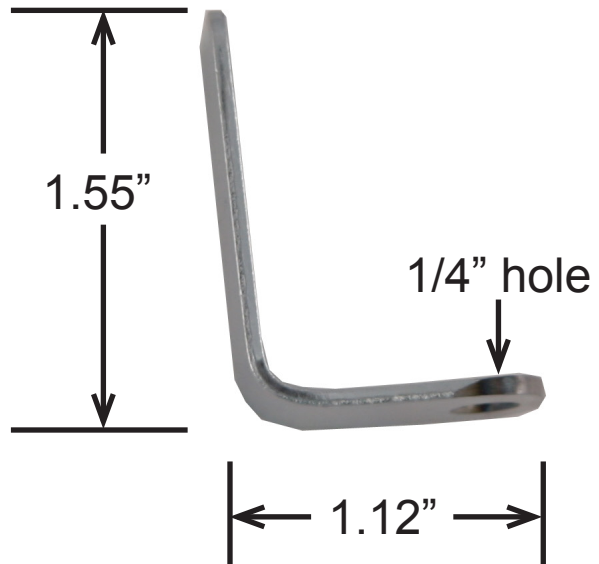
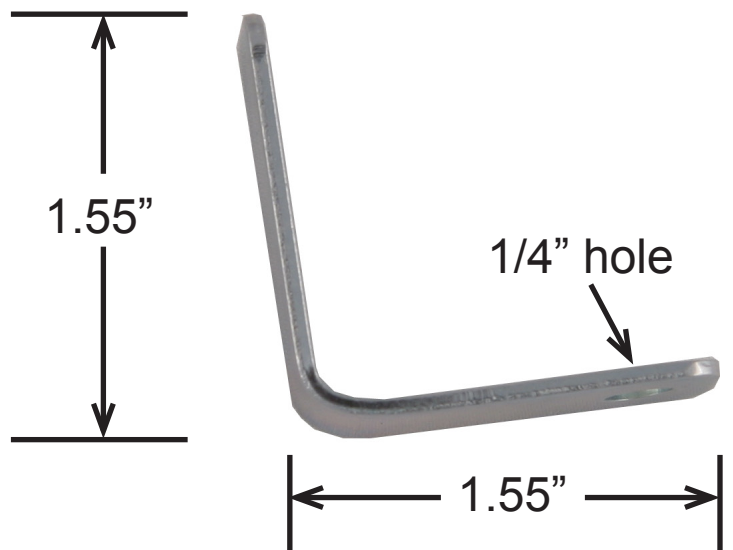


Finger & Tongue Guards for Model A-1 Twice As Sharp®

Tongue Guards or Spark Arrestors
between top of wheel housing and wheel



.072" material thickness
all sizes approximate



Finger Guards
between bottom of wheel housing and wheel