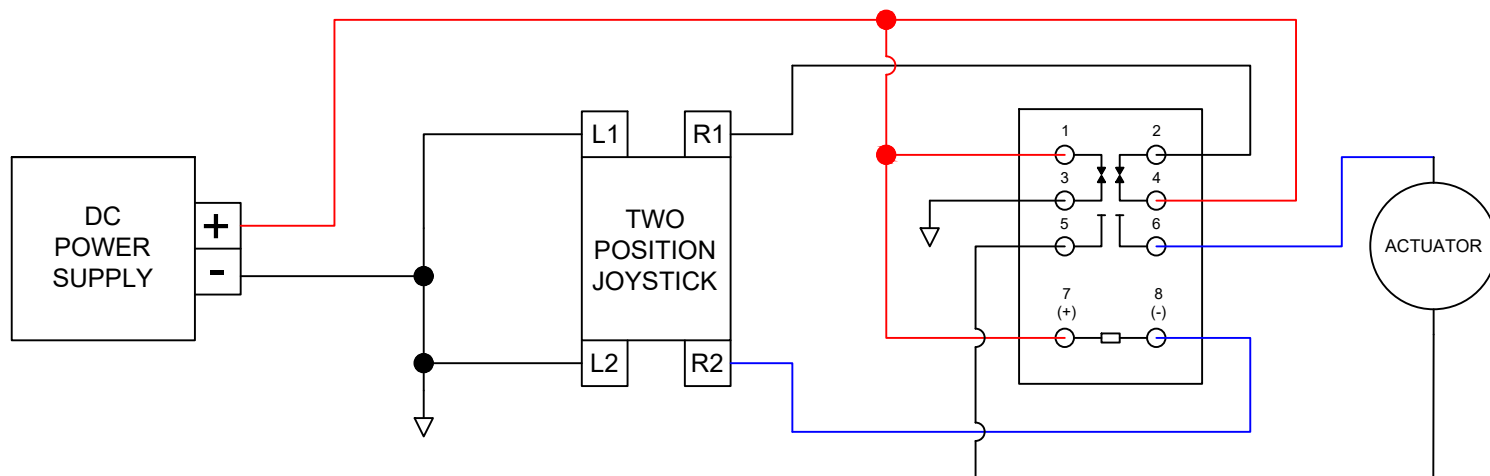
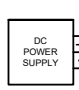


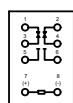
## Joystick (2-Direction) Control of Linear Actuators


### Functionality:

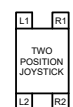
In this wiring configuration, 2-way joystick control is achieved by using a DPDT relay. The relay and joystick complete the control circuit to allow the actuator to extend and retract. Please note that this set up has a maximum current rating of 10A due to the rating on the joystick.




 Type: DC Power Supply  
Connections: AC [L/N/G], DC [+V, COM]

 Type: DPDT Relay, Non-Latching  
No. Connections: 8

 Type: DC Common Symbol  
Connection Point: COM / -V on power supply

 Type: 2x SPST Joystick  
No. Connections: 4  
L = Left, R = Right

 Type: DC Motor, Bi-directional  
No. Connections: 2