

# **Infrared Digital Scouting Camera**

*User's Manual*

## ***SG968K-10M***



# Content

1	Instruction .....	1
1.1	General Description .....	1
1.2	Application .....	1
1.3	Camera Interface .....	1
1.4	Saving Images or Videos .....	4
2	Cautions .....	5
3	Easy Operations.....	6
3.1	Loading batteries.....	6
3.2	Insert the SD card .....	6
3.3	Powering on and Entering into the ON Mode. ....	7
3.4	Power Off.....	7
4	Advanced Operations.....	8
4.1	Enter into the SETUP mode .....	8
4.1.1	Preview.....	8
4.1.2	Customer Settings .....	8
4.1.3	Manual Capturing .....	8
4.1.4	View Images or Videos.....	8
4.1.5	Delete Images or Videos.....	8
4.2	Triggering Modes.....	8
4.3	Settings Menu .....	9
4.3.1	Setting Items.....	10
4.3.2	Default Set.....	13
4.4	Firmware upgrade.....	14
5	Mounting the Camera.....	14
6	Trouble shooting.....	15
	Appendix I: PIR Detection Zone .....	16
	AppendixII: Technical Specifications .....	18
	Appendix III: Parts List .....	19

# 1 Instruction

## 1.1 General Description

This camera is a black infrared scouting camera which will take 10 megapixel high resolution pictures and 720p HD video.

The SG968K-10M has a highly sensitive Passive Infra-Red (PIR) motion sensor. The sensor will detect movements in a long range and trigger the SG968K-10M to take high quality pictures (up to 10 megapixels) and/or video clips as setting.


SG968K-10M also has a time lapse function. It allows the user to set the camera to take images or video at any specified time intervals at his/her desire.

The device is equipped with dark 940nm invisible infrared LEDs, which has the capability of taking color pictures and video by day, and black and white ones at night.

Powered by 8pcs AA batteries, the SG968K-10M can sustain in a stand-by mode alone for about 6 months.

The SG968K-10M offers the trigger time for 1.2 second from wake-up mode to pictures/video capture.

This camera is designed for outdoor use. Therefore it is weather resistant against rain and snow. It functions fine even in extreme temperature.

If you would like, the camera can be used as a portable digital camera. Pictures or videos can be taken manually by pressing  on the operation panel.

## 1.2 Application

This camera can be used as an automatic surveillance device for guarding and recording unexpected intrusion to homes, shops, schools, depots, offices, taxies, worksites etc. It can also be used as a trail camera for hunting or monitoring animals by recording the traces of wild animals. It can be left alone for weeks and months and it will save event records

automatically in digital format.

## 1.3 Camera Overview

### 1.3.1 Diagram of camera functional indicators

The camera has the following interfaces: a 2.0" TFT LCD display screen, operation panel, USB connector, SD card slot, TV output and external DC power connector. Fig.1 shows the front view of the camera and its function parts. Fig.2 shows the operation panel and display screen. Fig.3 shows the bottom view of the camera and its I/O interface.

Take a few moments to familiarize with the camera controls and displays. It is helpful to bookmark this section and refer to it when reading through the rest of the manual.

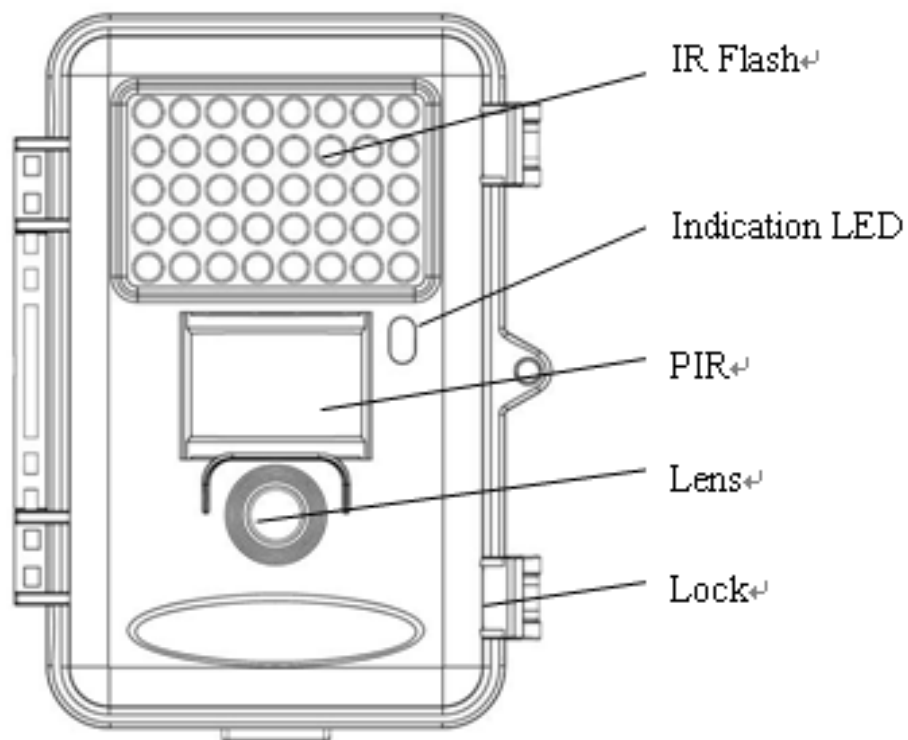


Figure 1: Front view

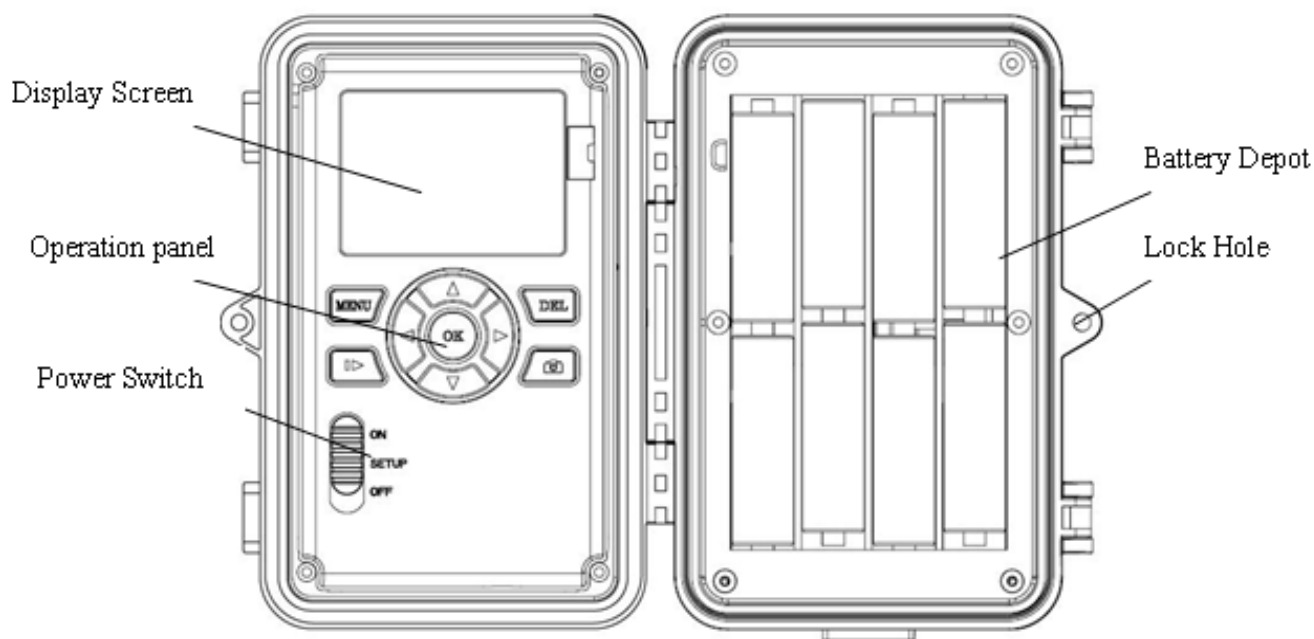


Figure 2: Inner panel view

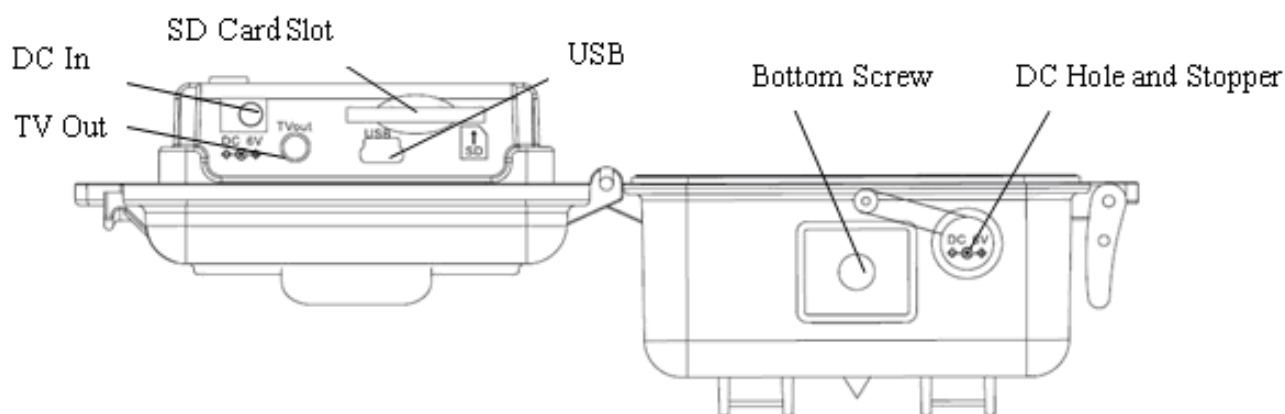


Figure 3: Bottom view

### 1.3.2 Key Notes

“**MENU**”: to enter the program menu in preview mode.

“▲”“▼”“◀”“▶””: for parameter settings as described in the user’s manual.

“**OK**”: to save parameter settings and play videos.

“▶””: to exchange between playback mode and preview mode.

“**DEL**”: to delete an image.

“”: to capture a photo or record a video manually.

### 1.3.3 Shooting Information Display

Fig. 4 shows a sample of the LCD Display of the Programming Menu.

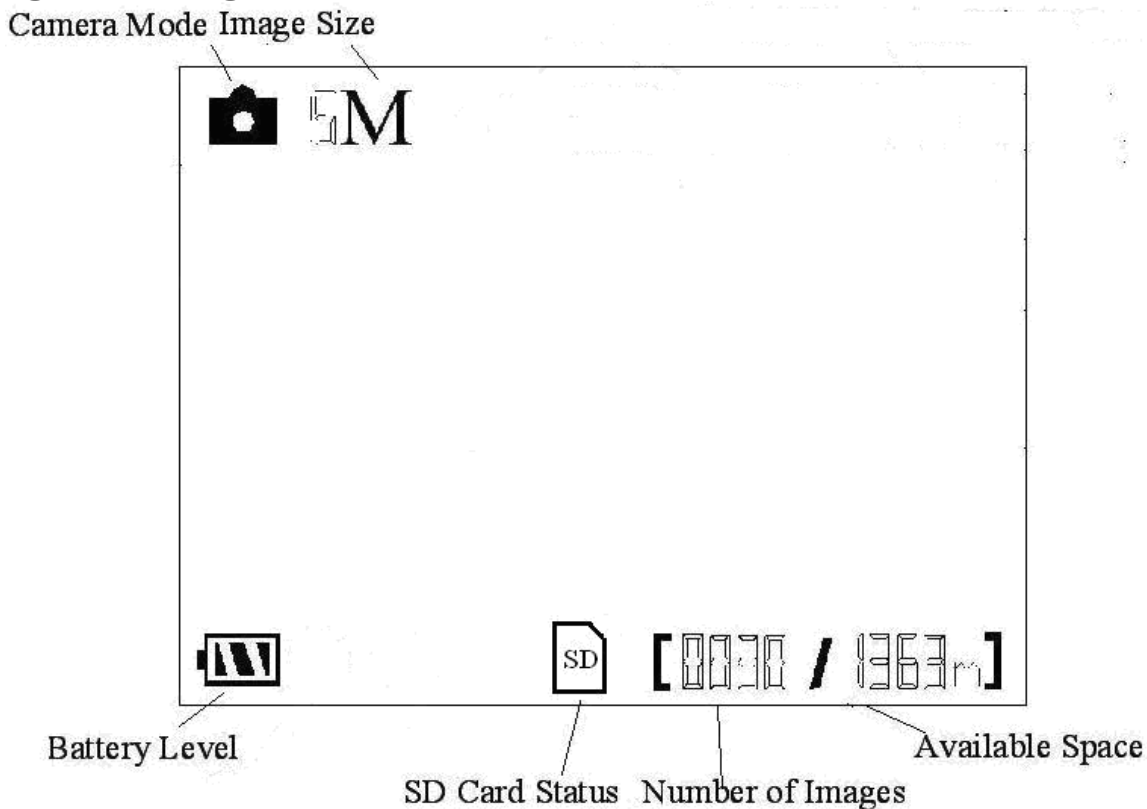


Fig. 4: LCD Display

## 1.4 Saving Images or Videos

The camera uses a standard SD (Secure Digital) memory card to save images (in .jpg format) and videos (in .avi format). SD and SDHC (High Capacity) cards up to a maximum 32 GB capacity are supported. Before inserting the SD card be sure that the SD card is unlocked.

## 2 Cautions

- ✧ **The working voltage of the camera is 6V.** The camera is supplied by four AA batteries.
- ✧ Please install batteries according to shown polarity.
- ✧ **Must insert the SD card before power on camera. The camera will not work properly unless a working SD card is detected by the camera**
- ✧ Please unlock the write-protect before inserting the SD card.
- ✧ Please insert the SD card when the power switch is at **OFF** position before testing the camera. The camera has no internal memory for saving images or videos. If no SD card is inserted, the camera will shut down automatically after a continuous indication sound.
- ✧ Please do not insert or take out the SD card when the power switch is at **ON** position.
- ✧ It is recommended to format the SD card by the camera when used for the first time. Many other SD cards formatted by other cameras have poor compatibility with different brands of cameras. So it is best to format the SD card with this camera or on a computer.
- ✧ In the **SETUP mode, the camera will shut down automatically after 3 minutes if no operation is done.** Please turn on the power again if you want to continue to work with the control.

## 3 Easy Operations

### 3.1 Loading batteries

Use 8 or 4 AA batteries or 6V external battery for power supply (Fig. 5).



Fig. 5: Battery Configurations of 8 or 4 batteries

Please use high-capacity and high-performance alkaline batteries (recommended), rechargeable Lithium batteries or rechargeable NiMH batteries.

### 3.2 Insert the SD card

The camera has no internal memory for saving images or videos. **If no SD card is inserted, the camera will shut down automatically.**



### 3.3 Powering on and Entering into the ON Mode

The camera has three basic operation modes:

1. **OFF mode:** to turn off the camera.
2. **SETUP mode:** to set up camera or to playback the photos or video clips.
3. **ON mode:** the camera will take pictures or videos automatically according to the previous programmed settings, when human or animals enter into the monitoring region.

After switching the camera to ON position, the motion indication LED (red) will blink for about 10 seconds. This time interval is for you to make the camera ready for automatic surveillance operation, e.g., to close the bottom cover and to lock it, to fix the camera on a tree and to walk away.

### 3.4 Power Off

Switch the camera to **OFF** position to power off the camera. Please note that even in the **OFF** mode, the camera still consumes certain power at  $\mu\text{A}$  level. Therefore, please remove the battery if the camera will not be used for a long time.

## 4 Advanced Operations

After you are familiar with the basic operations of the camera, you are now ready for advanced operations, and the options and parameters of the camera are explained in more detail.

### 4.1 Enter into the SETUP mode

There are 3 states in the SETUP mode: preview state (preview the scene in the front of the camera), setting state (make customer settings), and playback state (view photos or videos via the 2.0" LCD display).

#### 4.1.1 Preview

After switching the camera to SETUP mode, it enters into the preview state.

Press  to exchange between playback mode and preview mode.


#### 4.1.2 Customer Settings

Press **MENU** to manually customize the camera settings displayed on the LCD screen. The detailed operations will be described in this “Advanced Operations” chapter.


#### 4.1.3 Manual Capturing

Press  to manually capture photos or record videos. Press  again to stop the manual capturing of a video.

#### 4.1.4 View Images or Videos

Press  to view images or videos; the latest image or video will be shown in the screen. Press “▲” or “▼” to view the previous or next image or video.

#### 4.1.5 Delete Images or Videos

Press **DEL** to delete images or videos. Note the **DEL** button just works in Playback state. So if it's in Preview state, you should press  to enter into Playback state.

## 4.2 Triggering modes

There are 3 triggering modes of the camera: **PIR trigger** , **Time lapse** (i.e. Timer trigger) and both **PIR trigger & Time lapse**.

### 4.2.1 PIR trigger

PIR trigger is the default setting. The camera works only when motions are detected. If PIR trigger is set as **PIR Off**, the camera stops PIR trigger.

### 4.2.2 Time lapse

The **Time lapse** default setting is **Off**, which means the Timer trigger is disabled. When Timer trigger interval is changed to a non-zero value, the camera starts to work at a preset interval. User needs to set the PIR triggering to Off (choose **PIR trigger** as **Off**) if only the Time lapse trigger mode is desired.

### 4.2.3 PIR trigger & Time lapse

If both PIR trigger and time lapse trigger are desired, user needs go to **PIR trigger** to set “**normal, high or low**” sensitivities according to the external environments, and needs to set the **Time lapse** to a desired non-zero value. The camera will capture pictures or videos in a preset time interval even if no motion gets detected; the camera will also capture pictures and videos when a motion gets detected.

## 4.3 Settings Menu

To view the camera settings menu, press **MENU** in the **SETUP mode** (Power switch is at **SETUP** position).

Use “▲” or “▼” key to select the sub-menu, use “▶” or “◀” key to select the different options, then press “**OK**” to save the setting and the option will be un-highlighted.

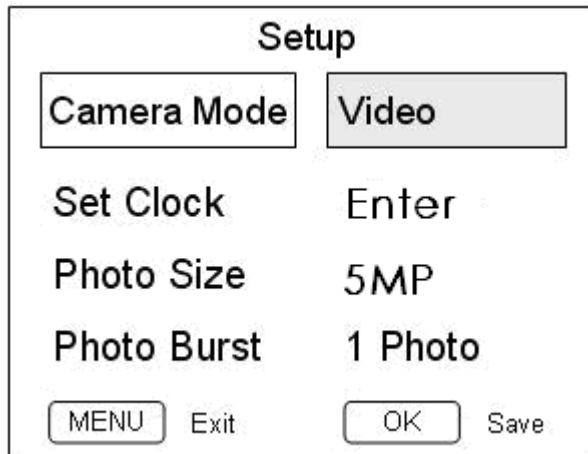


Fig. 6: LCD Display of Settings Menu

### 4.3.1 Setting Items

Setting Items	Description
<b>Camera Mode</b>	<p>There are three camera modes: <b>Photo</b> , <b>Video</b> or <b>Pic+Video</b>. You can enter the Setup interface to set the camera mode or use shortcut key to switch the camera mode.</p> <p>Via shortcut key: press “▲” key to set to Video and press “▼” key to set to Photo in SETUP mode.</p>
<b>Set Clock</b>	<p>You can change the date and time when necessary, e.g., after every battery change. The date format is <b>month/day/year</b>, the time format is <b>hour: minute: second</b>. Press “▶” to select item, press “▲” or “▼” to change the value. The valid value for year is between 2009 and 2050.</p>

<b>Photo Size</b>	5MP (megapixels) or 10MP (megapixels).
<b>Photo Burst</b>	It means the shooting number of each triggering in Camera mode. You can choose from 1 to 6 Photos.
<b>Video Size</b>	There are two video size: 720P HD (1280×720 ) and VGA (640×480 ) .
<b>Video Length</b>	It extends from 10 to 180 seconds with a step of one second.
<b>Time Lapse</b>	<p>Time lapse means the camera can capture images or videos at a preset time interval regardless of whether motions are detected. The default parameter is <b>Off</b>, which means the timer function is disabled. Changing this parameter to a non-zero value turns on the Time Lapse mode, and camera will take photos at given time interval.</p> <p><b><i>Please note that if the PIR Trigger is set to Off, then the Time Lapse can't be set to Off.</i></b></p>
<b>PIR Trigger</b>	This parameter defines the sensitivity of the PIR. There are four parameters: <b>High, Normal, Low</b> and <b>PIR Off</b> . The default value is "Normal". The higher degree indicates that the

	<p>camera is more easily triggered by motion, taking more pictures or recording more videos. It is recommended to use high sensitivity degree in a room or environment with little interference, and to use lower sensitivity for outdoor or environment with lots of interference like hot wind, smoke, near window etc. Furthermore, the sensitivity of the PIR is strongly related to the temperature. Higher temperature leads to lower sensitivity. Therefore it is suggested to set a higher sensitivity for high temperature environment.</p> <p><b><i>Please note that if the time lapse is set to Off, then the PIR can't be set to Off.</i></b></p>
<b>PIR Interval</b>	<p>This parameter means how long the PIR sensor will be inactive after each triggering in ON mode. During this time the PIR of the device will not react to the motion of human (or animals). The minimum interval is 0 second (meaning the PIR works all the time). The maximum interval is 1 hour (meaning the PIR will be disabled for 1 hour after each triggering). Please note that there are a few seconds of internal processing delay between each trigger, even if 0 second is set.</p>
<b>Camera Posit</b>	<p>It means camera position. You can set A-Z position for your camera, so that you can</p>

	distinguish which photo is taken by which camera.
<b>Format SD</b>	If you choose “Format SD”, the system will delete all images or videos stored in the SD card. So make sure that you have made a backup of important data.
<b>Default Set</b>	Restore to the factory default settings.
<b>Version</b>	The software and hardware version of this camera can be shown.

### 4.3.2 Default Set

Choose **Default**, all the settings will be changed to the factory default settings. Please refer to table 1 for the default settings:

Parameter name	Default	Other settings
Camera Mode	Camera	Video, Pic+Video
Set Clock	Enter	
Photo Size	5MP	10MP
Photo Burst	1 Photo	2-6 Photos
Video Size	720P (1280 ×720)	640×480
Video Length	10 seconds	10-180 seconds
Time Lapse	Off	10 seconds to 8 hours
PIR Trigger	Normal	High, Low, OFF
PIR Interval	5 sec	0-55 sec, 1-5 min , 10-60 min
Camera Position	Off	A-Z Position
Format SD	Enter	
Default Set		Save
Version	Enter	

Table 1: Default settings of the camera

## **4.4 Firmware upgrade**

This camera provides an upgrading function for the users. Upgrading is needed only when an improved firmware is available.



## 5 Mounting the Camera

When using the camera in outdoor environment, such as scouting or monitoring the living habits of wild animals, you need to mount the device on a certain place properly. It is recommended to mount the camera on a tree with diameter about 5.9 inches (15cm). To get the optimal picture quality, the recommended distance is 5m from the tree to the target monitoring area and recommended height from the ground is 4.9ft~6.5ft (1.5m~2m). Adjust the viewing angel properly (view angle of this camera is  $52^{\circ}$ ).

There are two ways to mount the camera: using a band shaped belt or bottom screw.

● **Using the belt:** to use the belt to fix the camera on a tree is illustrated in Fig. 7. Take the belt toes to go through the two back holes of the camera. At the end, tie the two toes to the tree to finish fixing.



Figure 7: Fixing the camera with belt

● **Using bottom screw.**

## 6 Trouble shooting

**1 There is something in front of the camera lens. Is the camera broken?**



**IR-Cut filter**

Fig. 8: Floating IR-Cut Lens

A: The camera is not broken. It's an IR-Cut filter. When the camera is powered on, the IR-Cut will be reset and cover the lens. Only when the camera is powered off, the IR-Cut will be at a random place.

**2 The camera controller is not working anymore.**

A: Most likely, no SD card has been inserted in the camera when it is turned on. Please make sure a working SD card has been inserted in the camera before it is turned on.

**3 The display screen is suddenly black.**

A: To reduce power consumption, **the camera will shut down automatically after 3 minutes if no operation is done.** Please turn on the power again if you want to continue to work with the control.

## Appendix I: PIR Detection Zone

Fig. 9 shows the detection ranges at different detection angles. When the detection angle is  $35^\circ$ , the detection range is 50ft (15m). When the detection angle is  $52^\circ$ , the detection range is 30ft (9m).

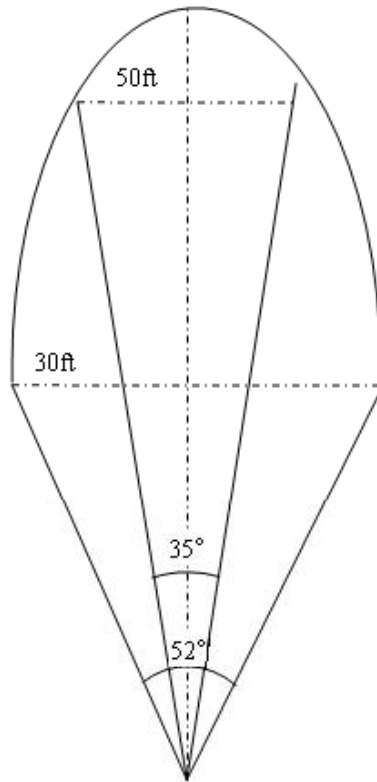


Fig. 9: PIR Detection Zone

The PIR detection angle ( $\alpha$ ) is just barely larger than the field of view (FOV) angle ( $\beta$ ). The advantage of this design is to reduce empty picture rate and capture most, if not all, motions.

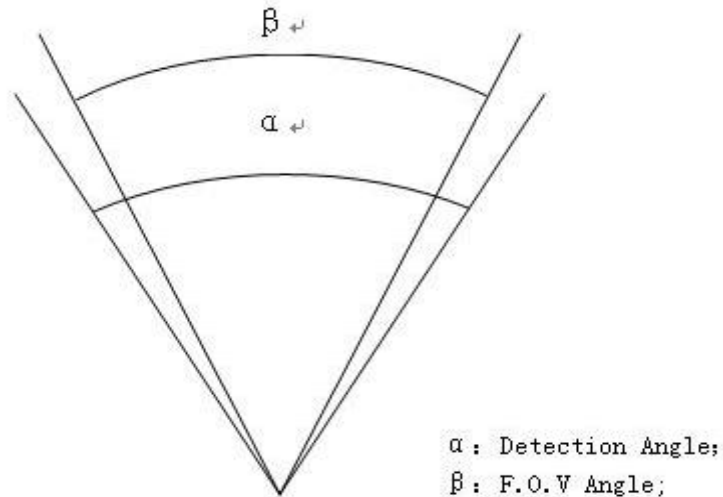


Fig. 10: Detection angle vs. FOV angle

This camera has a new, patented design of PIR. The new patented PIR’s detection range can reach to 82ft or 25m (in good environments). Fig. 11 shows the comparison of the detection zones between normal PIR and the new patented PIR.

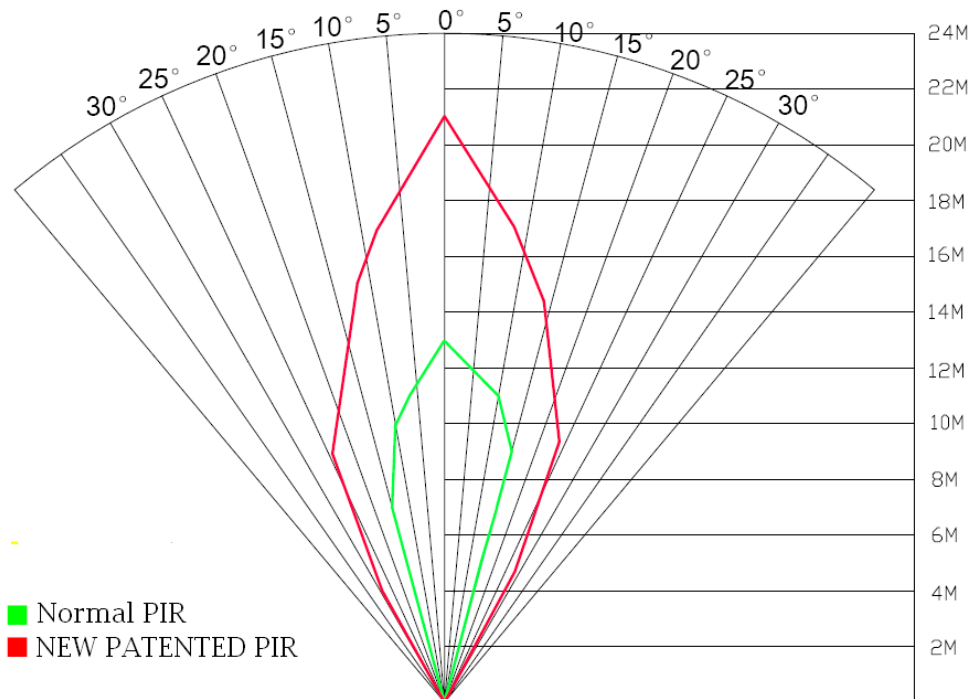


Fig. 11: Comparison of Detection Zones of new and existing PIRs

## Appendix II : Technical Specifications

<b>Image Sensor</b>	5MP Color CMOS ; 10MP interpolation;
<b>Lens</b>	F/NO=3.1mm FOV (Field of View)=52°
<b>PIR Detection Range</b>	Up to 82ft/25m
<b>Display Screen</b>	2.0" TFT
<b>Memory Card</b>	From 8 MB to 32 GB
<b>Picture Resolution</b>	10MP = 3648× 2736 5MP =2560×1920
<b>Video Resolution</b>	720p ( 1280×720 ) ( 20fps ) 640×480 ( 20fps)
<b>PIR Sensor</b>	Multi Zone
<b>PIR Sensitivity</b>	Adjustable (High/Normal/Low)
<b>Trigger Time</b>	1s
<b>Weight*</b>	0.24 kg
<b>Operation/Storage Temperature</b>	-20 - +60°C / -30 - +70°C
<b>Interval</b>	1s – 60 min.
<b>Photo Burst</b>	1–6
<b>Video Length</b>	1–60s
<b>Power Supply</b>	8×AA (recommend),4×AA (urgent)
<b>Stand-by Current</b>	< 0.3 mA (<7mAh/Day)
<b>Power Consumption</b>	150 mA (+450mA when IR-LED lighted)
<b>Low Battery Alert</b>	LED Indicator
<b>Display Screen</b>	LCD display
<b>Mounting</b>	Rope/Belt/Python lock
<b>Dimensions**</b>	140x 80x 50 mm
<b>Operation Humidity</b>	5% - 90%
<b>Security authentication</b>	FCC, CE, RoHS

\*without battery

## AppendixIII: Parts List

<b>Part Name</b>	<b>Quantity</b>
Digital Camera	One
USB Cable	One
Belt	One
User's Manual	One

(Version 1.3)