



LED Sensor Light 3CCT
Model Number: KSL2400-2H-BK-3CCT



Please read all instructions thoroughly and carefully prior to installing this product.

Retain these instructions for future reference.

Failure to follow these instructions could result in voiding the product warranty.

We assume no liability or responsibility for claims arising from improper installation or improper use.

READ FIRST: IMPORTANT SAFETY INSTRUCTIONS

Before you begin installing, servicing, or maintenance of this product, follow these general precautions.

- To reduce the risk of death, personal injury or property damage from fire, electric shock, falling parts, cuts/abrasions and other hazards please read all warnings and instructions included with and on this product prior to installation.
- **For commercial installation: service and maintenance of this product should be performed by a qualified, licensed electrician.**
- **For residential installation: If you are unsure about the installation or maintenance of this product, consult a qualified licensed electrician.**
- Do not mount the unit against flammable surfaces.
- This product is intended to be used outdoors, and be subject to the elements; such as rain and snow and we recommend it to be mounted at least 6' 6" off the ground
- This LED product must be powered directly to a switched circuit.
- This product should not be used in areas with limited ventilation or high ambient temperatures.
- This product CANNOT be used with a dimmer switch, motion or occupancy sensor or other electronic switching device.
- This product is intended to be connected to a properly installed and grounded UL listed junction box.

WARNING: RISK OF ELECTRICAL SHOCK

- Turn off electrical power at fuse or circuit breaker box before wiring product to the power supply.
- Verify voltage is 120V before installing.
- Make all electrical and grounded connections in accordance with the National Electric Code and any applicable local code requirements.
- All wiring connections should be capped with UL listed wire connectors.

CAUTION: RISK OF PRODUCT DAMAGE

- Never connect fixture with power on.
- Do not mount or support product in a manner that can cut the outer wire jacket or damage the wire insulation.

- Avoid covering LED products with insulation, foam, or other materials that will prevent convection or conduction cooling.
- Never connect an LED product directly to dimmer packs, occupancy sensors, timing devices, or other related control devices, unless individual product specifications deem otherwise.
- LED products are polarity sensitive, ensure proper polarity before installation.
- Electrostatic Discharge (ESD) can cause damage to LED products. Wear personal grounding equipment during installation and service of the product.
- Do not touch the individual electronic components, it may cause ESD (Electronic Discharge), shorten lamp life or alter performance.

CAUTION: RISK OF INJURY

- Avoid direct eye exposure to the light source while it is on.
- **LED LIGHTS ARE EXTREMELY BRIGHT, UNDER NO CIRCUMSTANCES SHOULD YOU LOOK DIRECTLY INTO AN LED LIGHT, THIS MAY CAUSE IRREPARABLE DAMAGE TO THE EYES.**
- Please dispose of packaging materials and account for all small parts as these can be hazardous to small children.

WARNING: RISK OF BURN

- Allow fixture to cool completely before handling.
- Do not exceed maximum voltage marked on the label.
- Keep combustible and other materials that can burn away from the light, lamp, and lens.

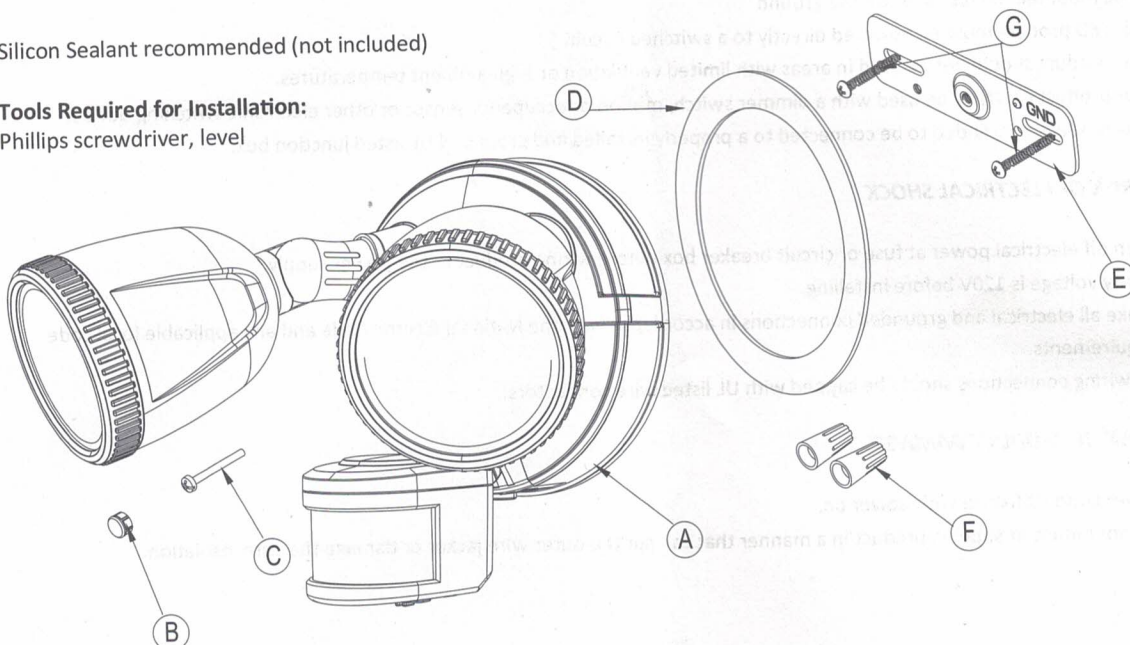
Installation Instructions

Part	Description	Quantity
A	Light Fixture	1
B	Plastic Screw Cover	1
C	Stainless Steel Screw	1
D	Gasket (optional)	1
E	Cross Bar	1
F	Wire Nut	2
G	Stainless Steel Mounting Screws	2

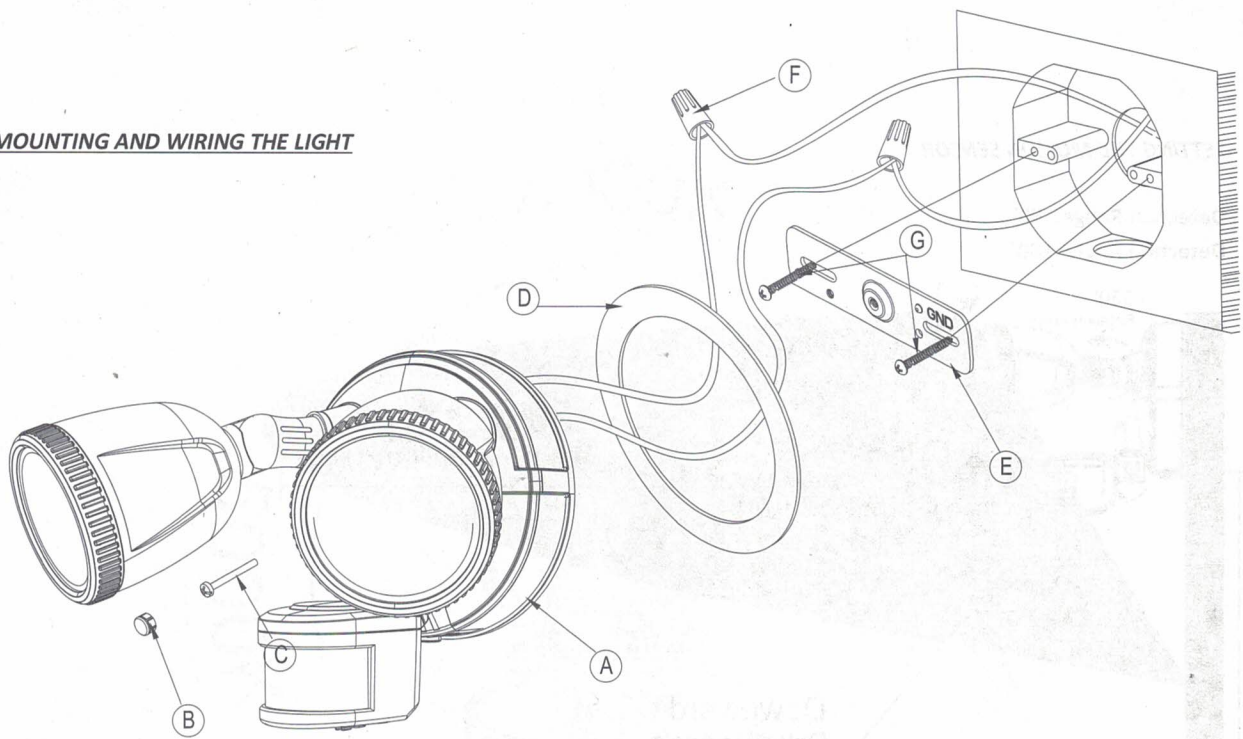
Silicon Sealant recommended (not included)

Tools Required for Installation:

Phillips screwdriver, level



MOUNTING AND WIRING THE LIGHT



NOTE: DO NOT MOUNT ON THE GROUND, RECOMMENDED INSTALLATION HEIGHT IS 6 ½ FEET TO 10 FEET

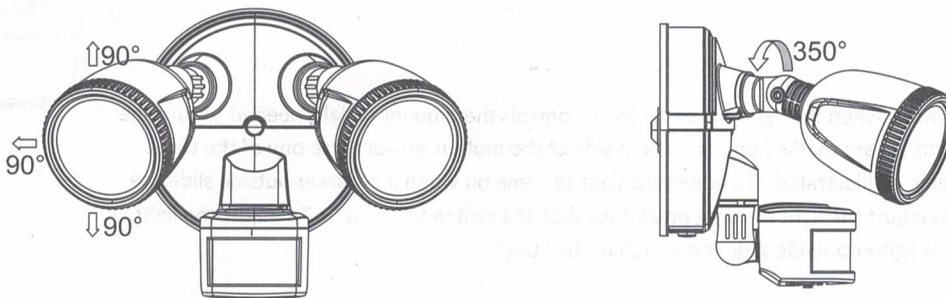
**** Before you begin make sure that your power is turned off at your circuit breaker box ****

****Do not rely on the switch power being turned off ****

1. Install the cross bar (E) to the junction box and secure with the (2) mounting screws (G). *If installing to a wall or building, pre-drill holes and use appropriate plugs/anchors, once your holes are drilled you can install the cross bar to the surface using the two mounting screws (G).*
2. Connect supply wires with wire nuts (F) as shown in the figure above.
Black supply wire connects to the Black power supply wire (Live)
White product wire connects to the White supply wire (Neutral)
3. You may use the optional gasket (D) at this time.
4. Install the light fixture (A) to the cross bar (E). Use silicon sealant (not included) around the perimeter of the light to seal for moisture.
5. Screw in the stainless steel screw (C) to hold fixture in place. Insert plastic screw cover (B) into screw hole.
6. Turn on your electricity after the install has been completed.
7. Turn on power switch. (If power switch is not on, the light will not cycle on or off)

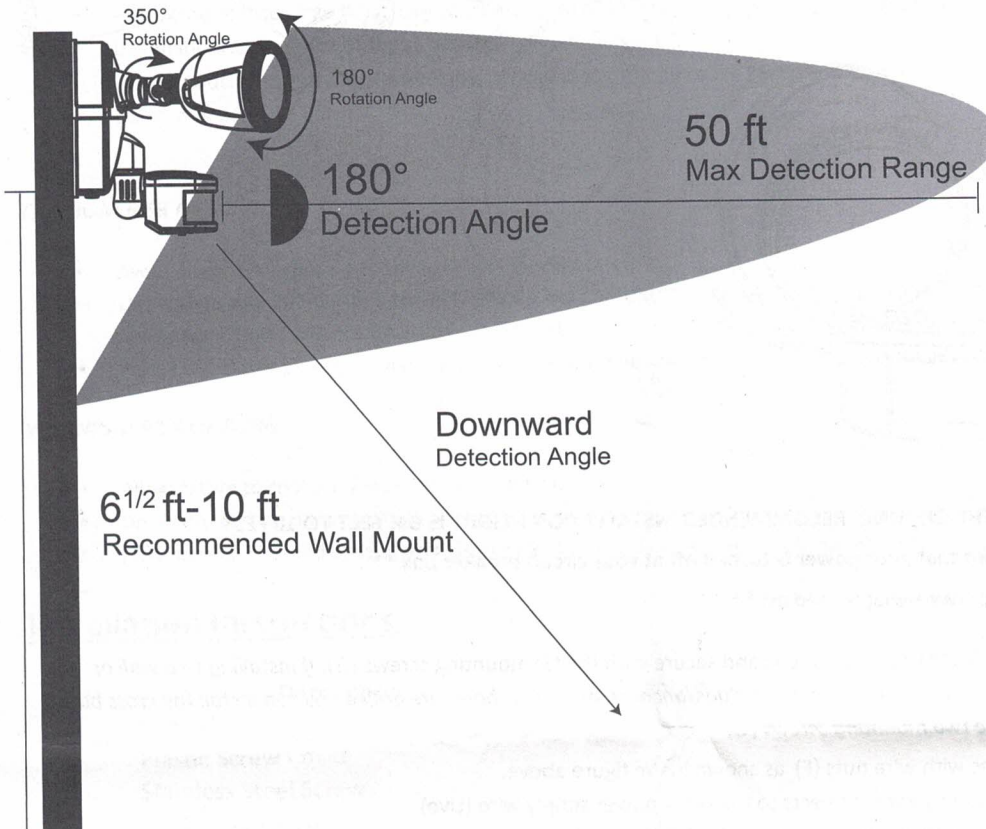
ADJUSTING YOUR LIGHT HEADS

Your light heads can be adjusted by turning the individual light head to desired position. You can also adjust your light head up and down to your desired position.



SETTING THE MOTION SENSOR

Detection Range: 50'
Detection Angle: 180°



SENSOR ADJUSTMENTS

**** You must adjust the motion sensor on the light to the desired area before you can adjust the time and LUX settings****

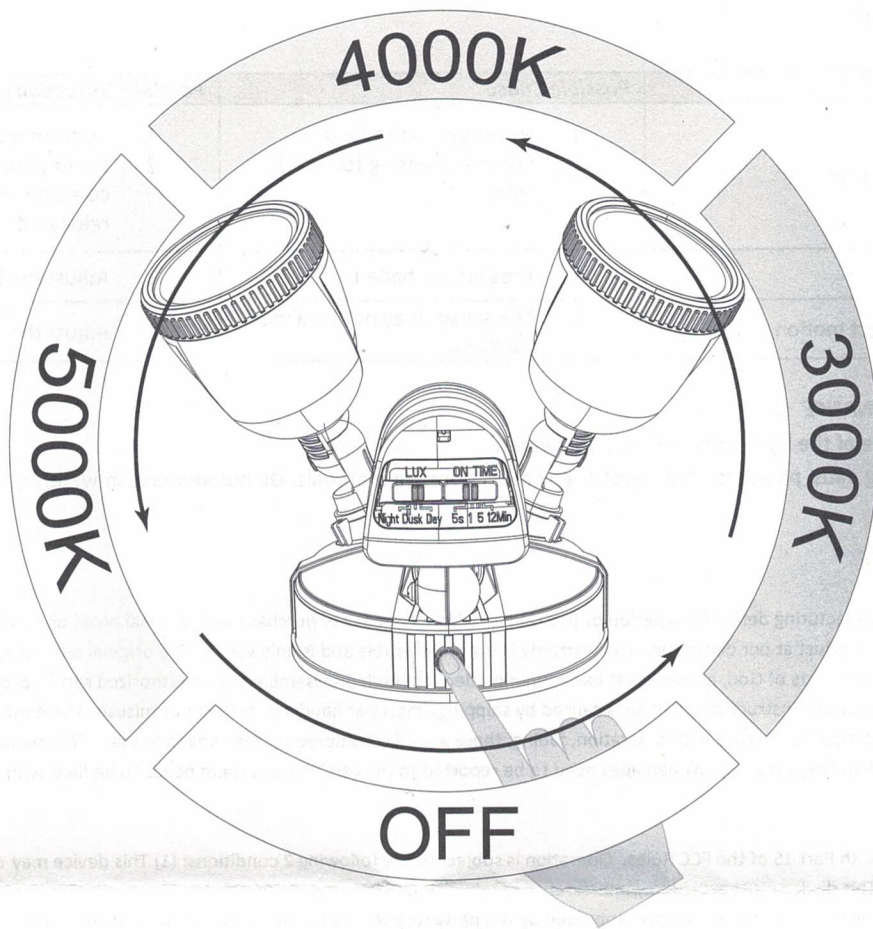
TIME SETTING

This setting controls the time span of how long your security light will remain on. The time setting will allow you to set the time period the light will stay on. Slide the switch to the amount of time you would like the light to stay on. (See illustration, dials are located on the bottom side of the motion detector).

LUX SETTINGS

The LUX settings controls when the light will come on; it controls the amount of light needed to turn the light on. The LUX settings are marked on the bottom side of the motion sensor. Use one of the three predetermined settings as illustrated. To adjust the light to come on when it is darker outside slide the switch to "Night"; to adjust the light to come on at dusk slide the switch to "Dusk". To adjust the light to come on when it is lighter outside slide the switch to the "Day".





3CCT COLOR

Product has three options of color temperature, One pressing on the red button at the bottom of the light, the lamp will change one option of color temperature. For example, pressing the button to 3000K color temperature, pressing again will be 4000K, pressing again will be 5000K, then OFF the lamp, one more pressing will return to 3000K. The color temperature will be changed in 3 CCT of 3000K, 4000K and 5000K.

PRODUCT SPECIFICATIONS

- Detection Method: PIR (Passive Infrared)
- Detection Range: Maximum 50ft
- Detection Angle: 180°
- LED Angle: 120°
- Time Adjustment: (minimum) 5 seconds to (maximum) 12 minutes
- Operating Voltage: 120volts
- IP Rating: 44
- Warm Up: 50+/-15 seconds

TROUBLE SHOOTING

Problem	Possible Cause	Possible Correction
Light does not come on	<ol style="list-style-type: none">1. No power to the fixture2. Fixture is sensing too much light	<ol style="list-style-type: none">1. Confirm wall switch is on2. Cover photocell, unit should come on. Unit may need to be relocated.
Light stays on	<ol style="list-style-type: none">1. Area is too shaded	<ol style="list-style-type: none">1. Adjust the LUX setting
Light does not detect motion	<ol style="list-style-type: none">1. The sensor may not be aimed correctly	<ol style="list-style-type: none">1. Adjust the LUX setting

PRODUCT MAINTENANCE

To clean the surface of the light, use mild soap and water.

Do not use scouring pads, powders, steel wool or any other abrasive materials. Do not immerse in water.

PRODUCT WARRANTY

We will cover any manufacturing defect for a period of two (2) years from the date of purchase with original proof of purchase. We will either repair or replace your product at our discretion. The warranty is not transferable and is only valid to the original purchaser. This warranty does not apply to the following; acts of God, product that has been modified, opened, disassembled or unauthorized repair, products not used in accordance with the provided instructions, damages caused by shipping, improper handling, accident or misuse. The finish of any part of the product, scratches, weathering, corrosion, discoloration, fading, these are all considered normal wear and tear. This warranty does not cover any damages of merchandise in transit, any damages need to be reported to the carrier and a claim needs to be filed with the carrier.

FCC Information

This device complies with Part 15 of the FCC Rules. Operation is subject to the following 2 conditions: (1) This device may not cause harmful interference, and (2) This device must accept any interference received, including interference that may cause undesired operation. **Warning:** Changes or modification to this unit not expressly approved by the party responsible for compliance could void the user's authority to operate the equipment. **NOTE:** This equipment has been tested and found to comply with the limited Class B digital service, pursuant to Part 15 of the FCC Rules. Their limits are designed to provide reasonable protection against harmful interference in a residential installation. This equipment generates uses and can radiate radio frequency energy and, if not installed and used in accordance with the instructions, may cause harmful interference to radio communications. However, there is no guarantee that interference will not occur in a particular installation. If the equipment does cause harmful interference to radio or television reception, which can be determined by turning the equipment off and on; the user is encouraged to try to correct the interference by one or more of the following measures: reorient or relocate the receiving antenna.