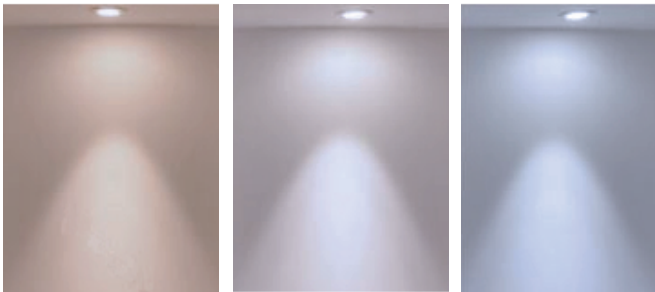
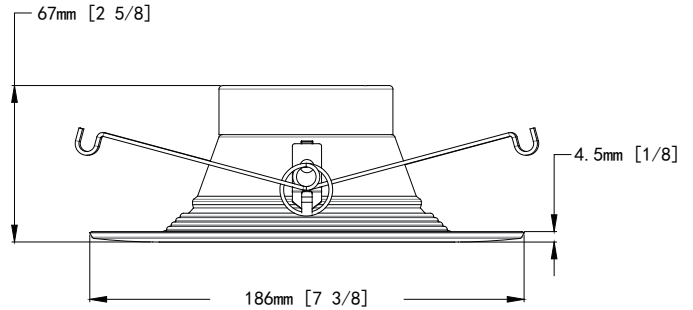


## Product picture



## Dimensions



3000K

4000K

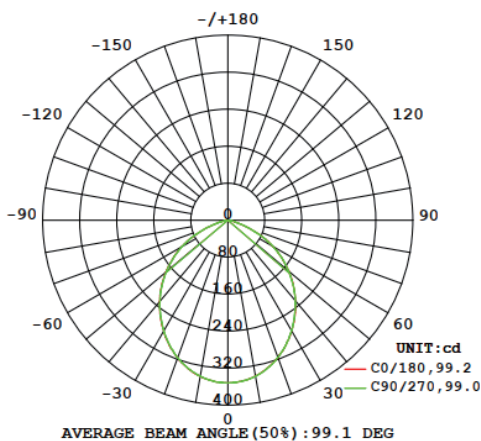
5000K

## TECHNICAL SPECIFICATIONS

- \* Input Power: 13W
- \* Input Voltage/Frequency: 120V/60Hz
- \* Light Output(Lumens): 812LUM
- \* Efficacy(Lumens per Watt): 65.53 LUM/Watt
- \* CRI: 90

- \* Product Size: 7 3/8" DIA \* 2 5/8" H
- \* Operating temperature: -30c°--40c°
- \* Suitable for Wet Locations
- \* CCT selectable: 30/40/50K

### LUMINOUS INTENSITY DISTRIBUTION DIAGRAM



Height	Eavg, Emax	Angle: 109.22deg	Diameter
1m	100.9, 355.11x		281.55cm
2m	25.22, 88.771x		563.09cm
3m	11.21, 39.461x		844.64cm
4m	6.304, 22.191x		1126.19cm
5m	4.035, 14.201x		1407.73cm
6m	2.802, 9.8641x		1689.28cm
7m	2.058, 7.2471x		1970.83cm
8m	1.576, 5.5481x		2252.38cm
9m	1.245, 4.3841x		2533.92cm
10m	1.009, 3.5511x		2815.47cm

