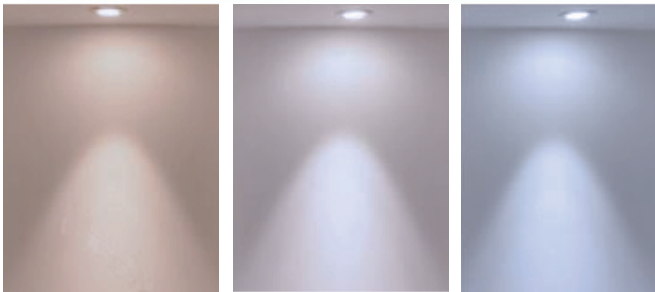
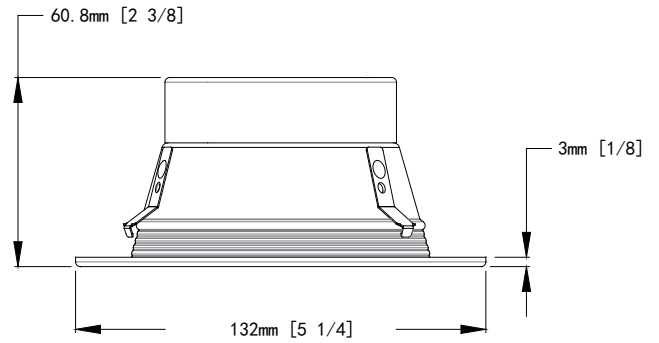


Product picture



Dimensions



3000K

4000K

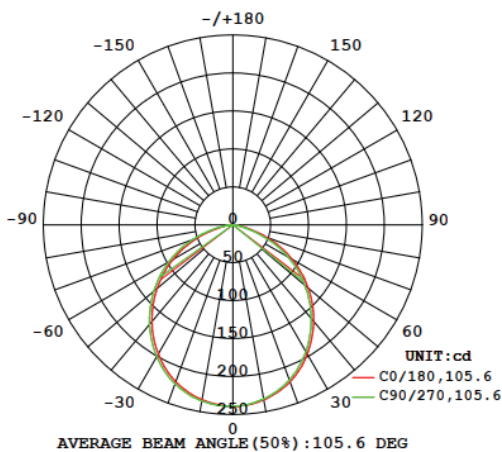
5000K

TECHNICAL SPECIFICATIONS

- * Input Power: 10W
- * Input Voltage/Frequency: 120V/60Hz
- * Light Output(Lumens): 640LUM
- * Efficacy(Lumens per Watt): 64LUM/Watt
- * CRI: 90

- * Product Size: 5 1/4" DIA * 2 3/8" H
- * Operating temperature: -30c°--40c°
- * Suitable for Wet Locations
- * CCT selectable: 30/40/50K

LUMINOUS INTENSITY DISTRIBUTION DIAGRAM



Height	Eavg, Emax	Angle: 109.22deg	Diameter
1m	72.46, 239.21x		281.55cm
2m	18.11, 59.801x		563.09cm
3m	8.051, 26.581x		844.64cm
4m	4.529, 14.951x		1126.19cm
5m	2.898, 9.5681x		1407.73cm
6m	2.013, 6.6441x		1689.28cm
7m	1.479, 4.8821x		1970.83cm
8m	1.132, 3.7381x		2252.38cm
9m	0.8945, 2.9531x		2533.92cm
10m	0.7246, 2.3921x		2815.47cm

