

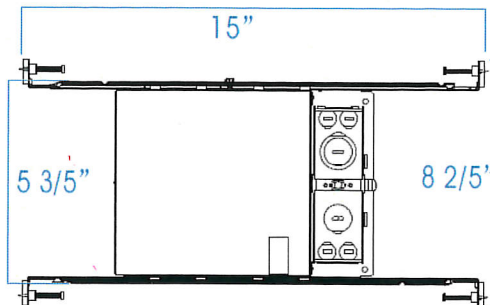
## SPL400IC

### 4" Line Voltage 120V IC Housing

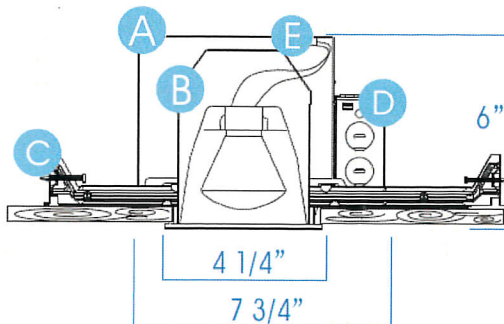
#### PRODUCT DESCRIPTION

- Thermally Protected IC housing.
- Adjustable socket bracket.
- Wire through junction box.
- Preinstalled adjustable bar hanger.
- Dependable, favorable design and effortless installation.
- Special screw on the frame locks bar hangers in place which prevents the housing from any movement once installed.
- Preinstalled socket cap provides electrical contact protection against dust, paint and over spray.

#### DIMENSIONS



#### RECESSED LIGHT



#### HOUSING

Die-formed aluminum construction for maximum heat dissipating air chamber on top of the housing. Junction box could be accessed from inside and outside housing.

#### SOCKET

Deep-drawn single piece aluminum construction for maximum heat dissipation and rust protection.

#### HANGERS

Preinstalled bar hangers allow housing to be positioned and locked at any point within a 24" joist span. They can be positioned on either the long or short axis of the housing and can be shortened for 12" joists.

#### JUNCTION BOX

UL and ETL listed for through-branch circuit wiring, provided with four 1/2" KOs, one 3/4" KO and four Romex knockouts with true pry-out slots and strain clamps.

#### THERMAL PROTECTION

Standard thermal protection device guards against improper installation, overlamping and misuse of insulation material.

#### COMPATIBLE BULBS



PAR20



Br20

