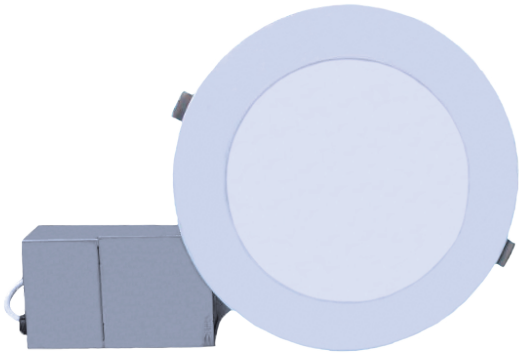
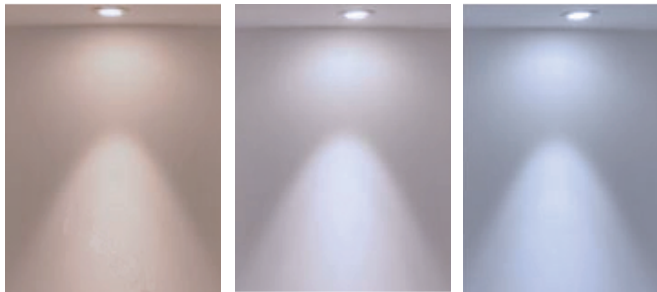
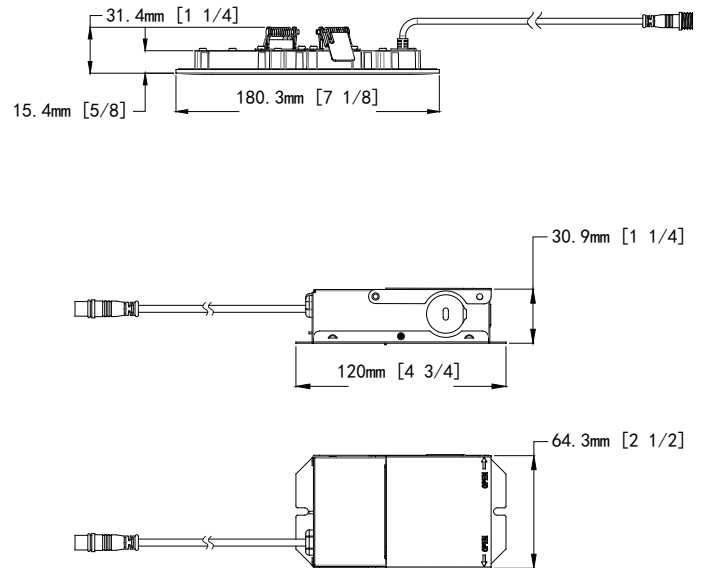


Product picture



Dimensions



3000K

4000K

5000K

TECHNICAL SPECIFICATIONS

- * Input Power: 13.5W
- * Input Voltage/Frequency: 120V/60Hz
- * Light Output(Lumens): 880LUM
- * Efficacy(Lumens per Watt): 72LUM/Watt
- * CRI: 80

- * Product Size: 7 1/8" DIA * 1" H
- * Hole cut size: Φ 6- 1/2"(165mm)
- * Operating temperature: -30c°--40c°
- * Suitable for Wet Locations
- * CCT selectable: 30/40/50K

LUMINOUS INTENSITY DISTRIBUTION DIAGRAM

