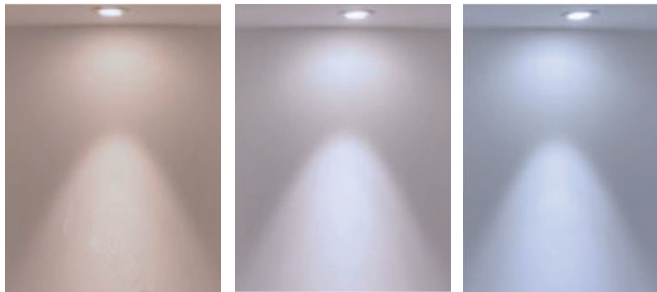
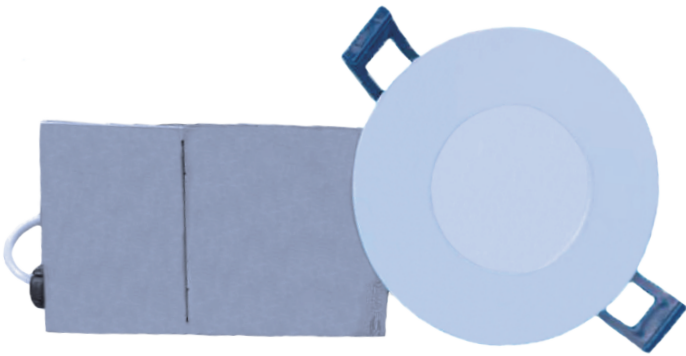


## Product picture

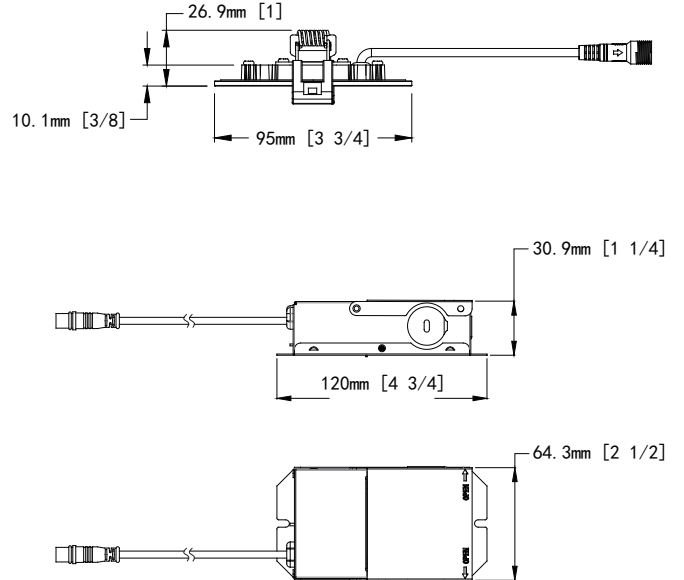


3000K

4000K

5000K

## Dimensions



## TECHNICAL SPECIFICATIONS

- \* Input Power: 7W
- \* Input Voltage/Frequency: 120V/60Hz
- \* Light Output(Lumens): 500LUM
- \* Efficacy(Lumens per Watt): 71LUM/Watt
- \* CRI: 80

- \* Product Size: 3 3/4" DIA \* 1" H
- \* Hole cut size:  $\Phi$  2- 7/8"(72mm)
- \* Operating temperature: -30c°--40c°
- \* Suitable for Wet Locations
- \* CCT selectable: 30/40/50K

### LUMINOUS INTENSITY DISTRIBUTION DIAGRAM

