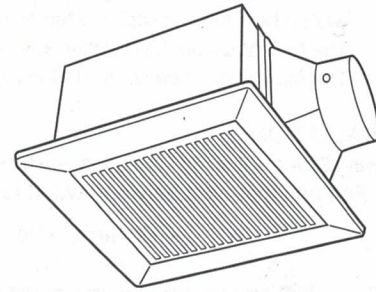




## Ventilation Fans

### Installation Instructions



Models: SBF60N, SBF70N, SBF90N, SBF110N, SBF120N

#### READ AND SAVE THESE INSTRUCTIONS

Please read these instructions carefully before attempting to install, operate, or service this Prime Ventilation Fan. Failure to comply with instructions may result in personal injury and/or property damage. This document should be retained for future reference.

The signal words shown below are used to alert you to potential personal injury and property damage hazards. There are two hazard classifications based on potentially dangerous situations. Obey all safety instructions that show these symbols to avoid possible injury, death and property damage.

**CAUTION :** Indicates a potential hazardous situation which, if not avoided, MAY result in minor or moderate injury.

**WARNING :** Indicates a potential hazardous situation which, if not avoided, COULD result in death or serious injury.

#### GENERAL SAFETY INFORMATION :

1. This fan should not be installed in area where temperature may exceed 40°C(104°F).
2. Electrical power for this fan is 120V AC 60Hz.
3. All local electrical and safety codes should be followed during fan installation.
4. When working on/ near the fan, the electrical power to fan should be disconnected first.

#### **CAUTION :**

1. This fan should not be used in area where hazardous/ explosives materials or vapors exist.
2. To avoid fan unit damage, prevent construction dust, such as dry wall or ceiling stucco spray, from entering the fan at all time.
3. 'Sold State Speed Control Switch' should not be used with this fan as it could cause fan motor humming and damage.
4. Do not use the fan in cooking area. (Figure 1)

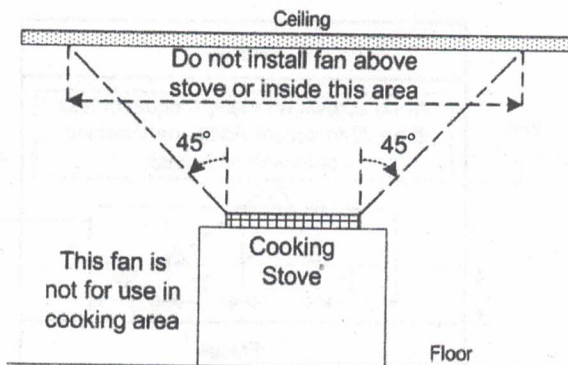


Figure 1

#### **WARNING :**

To reduce the risk of fire, electric shock or injury to persons, the following should be observed.

1. This fan should only be used in the manner intended by the manufacturer. If in doubt, please contact the manufacturer.
2. The fan installation work and electrical wiring must be carried out by qualified person(s) in accordance with all applicable codes and standards, including fire-rated construction.
3. When cutting or drilling in wall and ceiling, precautions should be taken to avoid damaging of electric wirings and other utilities.
4. A ducted fan should always be vented to outdoors.

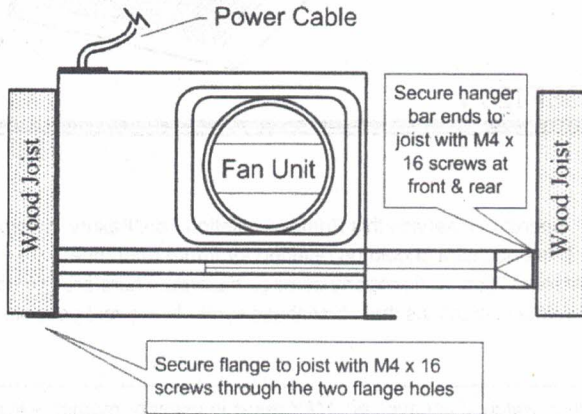
**LEAVE THIS DOCUMENT WITH HOME OWNER**

5. Before cleaning or servicing of fan, switch the electric power of fan off at electrical panel and lock the switch to prevent power from being switched on by the others. If such switch cannot be locked, a prominent warning sign should be posted at the panel to warn others not to switch the fan power on accidentally.
6. The fan should not be installed in a ceiling thermally insulated to a value greater than R40.
7. The fan unit must be connected to a ground.

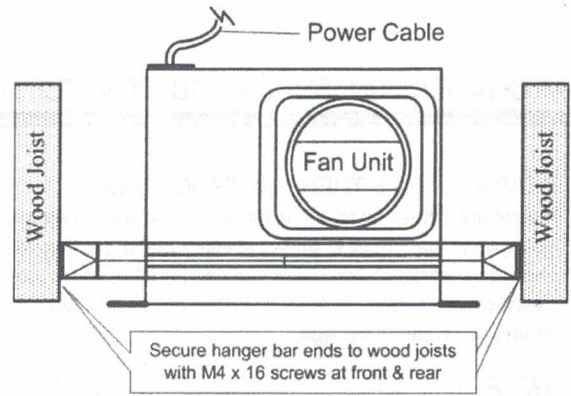
**INSTALLATION :**

Housing Size (l x w x h) : 230cm×230cm×180cm or 9"×9"×7"

**1. Fan unit mounted between wood joists**



**Figure 2 : Mounted with one side onto wood joist**



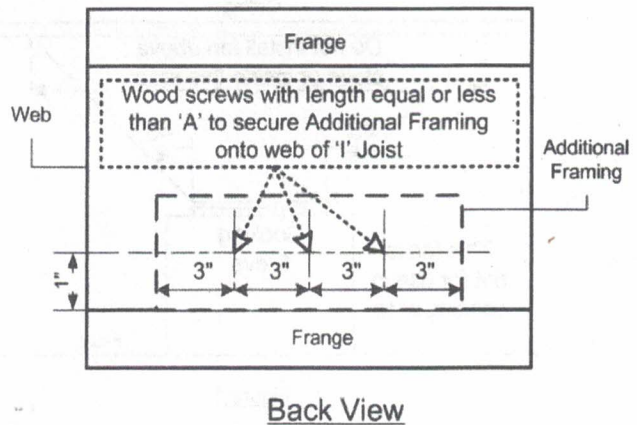
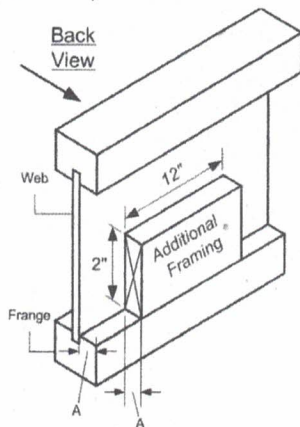
**Figure 3: Mounted between wood joists by hanger bars**

- i.) Hold the fan unit in place so that the flange of housing is flushed with the base of the joists.
- ii.) For method in figure 2, secure the fan unit to wood joists by driving two screws onto base of joist through the holes on housing flange and driving screws onto the other joist through the holes at the ends of hanger bars.
- iii.) For method in figure 3, secure the fan unit by driving screws onto the joists through the holes at the ends of hanger bars.

**2. Fan unit mounted between 'I' joists**

To mount the fan unit between 'I' joists, an 'Additional Framework' is recommended to be installed as shown in Figure 4. Such additional framework is made by plywood or lumber with height/length as shown and with a thickness equals to 'A'. It should rest on the flange of the 'I' joist and fixed in place by wood glue and screws. There are four common types of 'I' joists with the following width 'A' :

- 9/16" (14.3 mm)
- 11/16" (17.5 mm)
- 31/32" (24.6 mm)
- 1-17/32" (38.9 mm).



**Figure 4: Additional Framework installation**

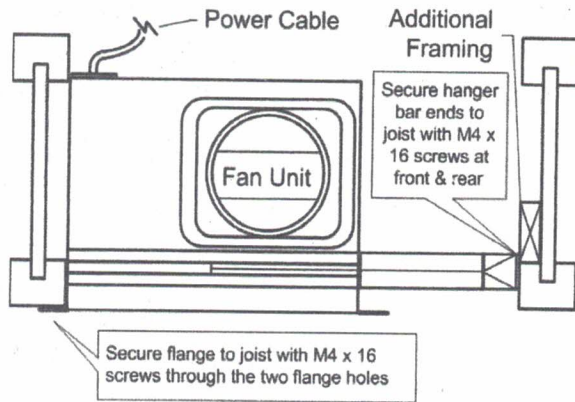


Figure 5 : Mounted with one side onto 'I' joist

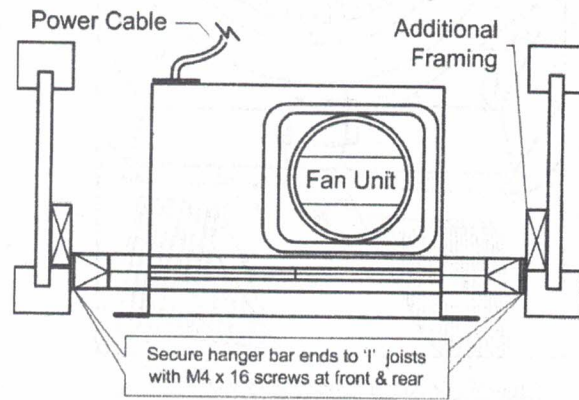
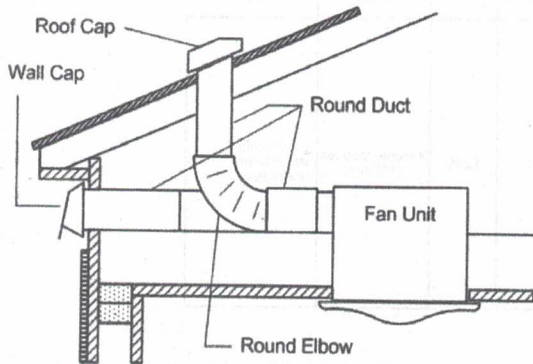


Figure 6 : Mounted between 'I' joists using hanger bars

- i) Hold the fan unit in place so that the flange of housing is flushed with the base of the 'I' joists.
  - ii) For method in figure 5, secure the fan unit to 'I' joists by driving two screws onto base of joist through the holes on housing flange and driving screws onto the other 'I' joist through the holes at the ends of hanger bars.
  - iii) For method in figure 6, secure the fan unit by driving screws onto the 'I' joists through the holes at the ends of hanger bars.
3. Connect ductwork and electrical supply.
- i) Connect round ductwork to damper. Run ductwork to a roof cap or wall cap. (Figure 7)
  - ii) All ductwork connections should be secured by fasteners and sealed by tape.
  - iii) Run 120V A.C. house wiring to fan location. Use proper UL approved connector to secure house wiring to fan housing wiring box. (Figure 8)
  - iiii) At least 14 AWG should be used for connection to branch circuit in the filed install.



\* All these parts are not supply with fan unit

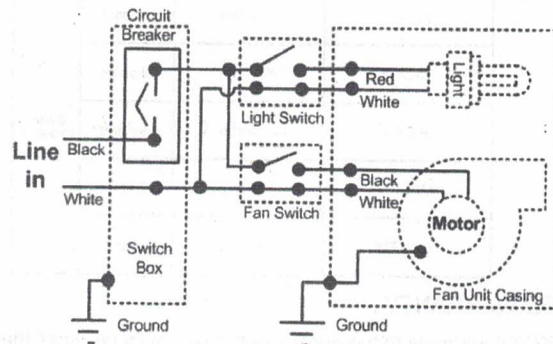


Figure 8: Wiring diagram

4. Grille Installation

- i) Squeeze the grille springs and insert them into the slots on the two sides of the fan housing. (Figure 9)
- ii) Push the grille upward lightly until the grille is rested on ceiling.

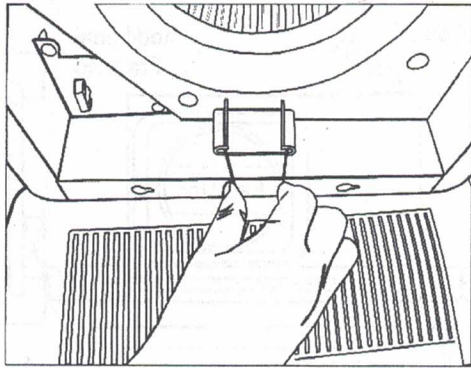


Figure 9 : Squeeze the spring to install grille

**MAINTENANCE :**

1. Switch off the electrical power to the fan unit at the electric power panel before any maintenance work is performed.
2. The interior of fan housing should be vacuumed from time to time to ensure quiet and efficient operation of fan.
3. The motor bearings are permanently lubricated and require no oiling.
4. The interior of fan housing and the grille surface can be cleaned by soft cloth dampened with mild detergent.
5. Do not use solvent, thinner, petrol, benzene or other chemicals to clean any part of the fan.

**SPECIFICATION :**

Air Volume CFM in 0.1 static pressure	Power consumption (watts)	Sound Level (Sones)	Weight	Frequency/ Freqeunce	Voltage (Volts)	Duct Diameter (Inches)	Installation Size (LxWxH)
60CFM	18 watts	0.4 sones	8.8lbs. (3.99kgs)	60Hz	120V	4 inches/pouces (100mm)	L= 250mm W= 250mm H= 185mm
70CFM	20 watts	0.4 sones					
90CFM	24.3 watts	0.8 sones					
110CFM	31 watts	1.6 sones					
120CFM	33 watts	1.6 sones					

**LIMITED WARRANTY :**

1. KORA warrants to the original purchaser of its products that such products are free from defects in materials and/or manufacturing workmanship for a period of 2 years for SBF series from the date of original purchase. Proof of purchase must be produced.
2. During the warranty period, KORA shall repair or replace, without charge, any product or parts which is found to be defective under normal use and service.
3. This warranty shall be voided if the product is purchased outside North America.
4. This warranty shall be voided if the product or any of its parts has been altered or repaired in such a way that would affect the reliability or detract from the product's performance.
5. KORA's obligation shall be to repair or replace the fan at KORA's option. KORA shall not be liable for incidental, consequential, or special damages arising out or in connection with product use or performance.
6. Misuse, abuse, owner negligence including improper installation or maintenance shall render the warranty void.

**Date of installation :**

**Builder's/ Installer's Name:**

**Manufactured by:** Eagle Imports Ltd.

E-mail: Sales@eagleimportsltd.com

**LEAVE THIS DOCUMENT WITH HOME OWNER**