

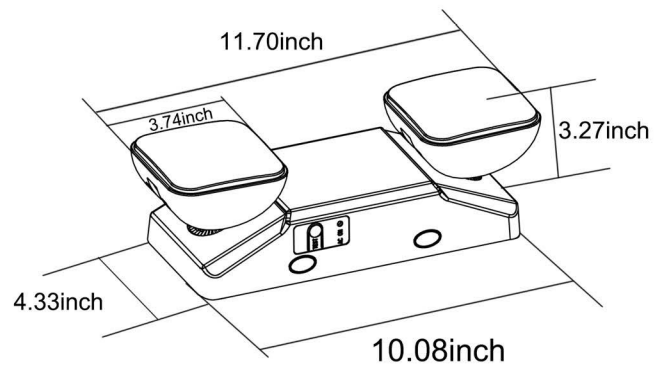
Twin Heads Emergency Light

Sku#:KEX80S



The twin-heads emergency light is suitable for property management and institutional applications, and is designed using durable and light weighted high impact thermoplastic.

Dimension:



Features and Specifications:

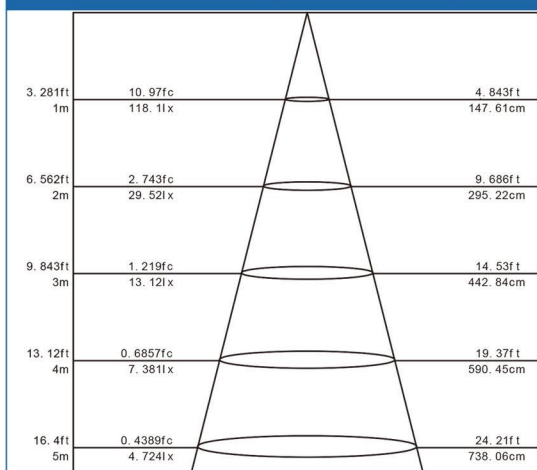
- > LED Ultra Bright Light Source
- > 120V-347V Wide Voltage
- > Nickel Cadmium (NiCad) battery
- > Test switch and AC-On indicator included
- > Suitable for wall mount/Conduit mounting
- > Heads adjustable
- > 2*100lm lumen output
- > Suitable for Damp Locations
- > 120mins emergency duration
- > cULus approved



Retail box
1pcs each

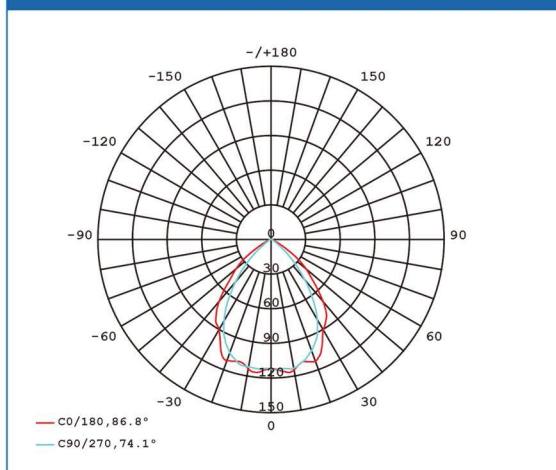
Shipping Carton
6pcs each

ILLUMINANCE(AT A DISTANCE)



HT EAVG/EMAX ANGLE:72.86DEG DIA

LUMINOUS INTENSITY DISTRIBUTION DIAGRAM



AVERAGE BEAM ANGEL(50%):84.5 DEG