

Introduction

This LED lighting fixture is consisted of high power LEDs ,which is an environmental, energy-saving and the best solution of replacements for conventional Lightings. Various white colors configurations are available, such as cool white,warm white, natural white color.

Features & Applications

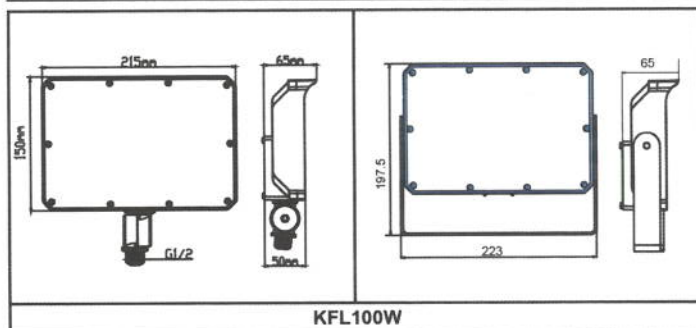
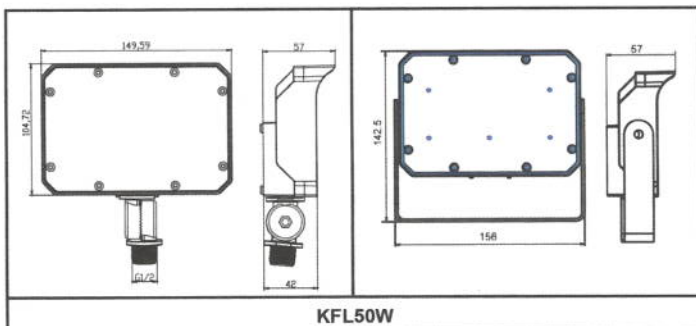
- (1) extended-aluminium housing, 4mm toughened glass, Ip66.
- (2) As a decorative product, Could be widely used for sculptures, landmark buildings, stadiums, plazas, gardens, public parks and so on, especially used in virescence, the wall of highrises, landscapes etc.

Technology Parameter

NO	Item	Parameter scope	
1	Operating voltage	AC120V-277V 50Hz/60Hz	
2	Model No.	KFL50W	KFL100W
3	Beam angle	60°~120°	
4	LED Color	5000K	
5	Operating humidity	10-90%	
6	Operating temperature	-40 ~ 40 °C	
7	IP Rating	IP66	
8	Life time	50000h	
9	Projection distance	20-25m	
10	Net Weight	0.62kg	1.7kg
11	Max projected area	190x122mm ²	
12	Mounting height	3m-6m	6m-10m
13	Dimension (mm)	156x142.5x57	223x197.5x65

Suitable for wet locations

Installation Instruction(Only by an approved electrician)



INSTALLATION

Integral adjustable knuckle with 1/2-14NPS threaded pipe, yoke, or slipfitter attachment, facilitates quick and easy installation to a variety of mounting accessories.

Maintenances

1. In order to the life time of the product and more safe operation, please keep it clean, maintenance and preserve.
2. While cleaning the lamp, please use the soft cloth with soap water and wring it, then try to sweep.
3. Don't use the volatile chemic liquid such as alcoholic, gasoline or pesticide to sweep, otherwise, easily damage the lamp, thereby affect the life time of it.
4. Fragile glass, handle with care, The non-artificial damage of glass, can be replaced.

Cautions

1. Make sure that the product is installed Before plug in.
2. Please notice that don't use any objectives to cover the lamp.
3. Don't use the lamp under sealed environment.
4. Maintenance should only be done by a professional technician.
5. In case of any change to the product we retain the right to inform you in advance.
6. If the external flexible cable or cord of this luminaire is damaged, it shall be exclusively replaced by the manufacturer or his service agent or a similar qualified person in order to avoid a hazard.
7. Avoid the sensor exposed to other light, otherwise it will cause the flashing of the lamp.
8. Terminal block to be used shall conform to EN 60998-2-1 or EN 60998-2-2 or UL certified and shall be specified as following :

- the type of terminal: screw/screwless;
- number of terminals: 3 poles;
- rated voltage: Max. 277 V;
- rated connecting capacity: Min. 1.0mm²;
- any necessary preparation of the ends of conductors: the length of exposed ends of conductors shall not more than 8mm; - any fixing method: fixed inside the connecting box.

Notes:

Do not dispose of electrical appliances as unsorted municipal waste, Use separate collection facilities. Contact you local government for Information regarding the collection systems available. If electrical appliances Are groundwater and get into the food chain, damaging your health and well-being.

