

# Installation Instructions

SKU#:RM-50DF

Desc: 50A 125/250V

NEMA:14-50R Connector



## WARNING! ELECTRICAL SHOCK AND FIRE HAZARD!

Prevent the risk of Electrocution or Fire, ensure the connector and connecting cables are NOT connected to a power source during installation! Refer to a qualified electrician if unsure of installation.

**CAUTION:** For use in dry locations and copper wire only!

**Cord Type:**S,SO,S00,ST,STO,STOO,SOW,S0OW,STW,STOW,STOOW

**Cord Size:** 4AWG~8AWG

**Cable color scheme for 125/250V 4 core connector.**

White=W-Neutral Conductor connected to "White" marking terminal.

Green=G-Ground Conductor connected to "Green" marking terminal.

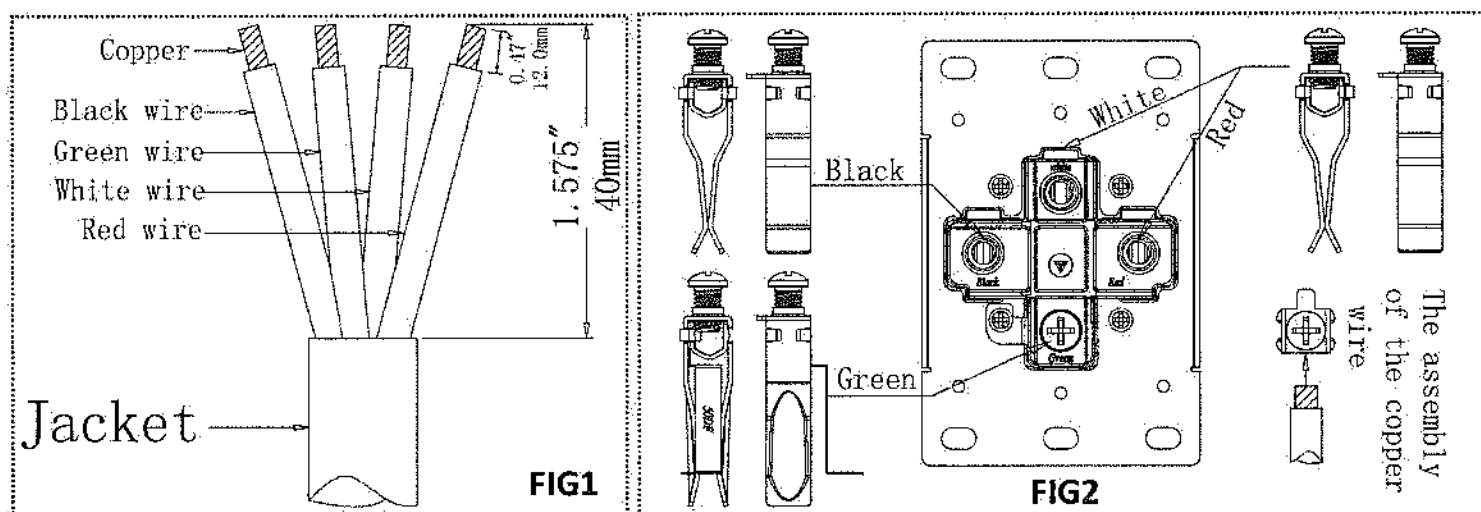
Black/Red=X/Y-Live/Hot Conductor connected to "Black or Red" marking terminal.

## STEP 1:Preparing the cable(FIG.1)

- 1.Remove original cord end.
- 2.Strip the outer jacket back from the end of the cord,by1.18"( 30mm).Be careful not to cut into the insulation of the inner wire.
- 3.Strip 0.47"(12mm) of all the colored conductor cables.

## STEP 2:Assembling the connector(FIG2)

- 1.Connect the exposed copper on each of the wire to the appropriate terminal as shown in the drawing below and tighten screws securely.



Made in China

# Installation Instructions

**Power Outlet Box**

**Sku#: RM50DFPB**

**Desc: 50A 125/250V**

**NEMA: 14-50R**

**WARNING:**

The outlet is not to be connected to power prior to installation. Failure to comply with this instruction could result in an electrical failure, fire and electrocution.

**IMPORTANT:** Installation of this power outlet box and related wiring must be done by a qualified electrician in compliance with all applicable electrical codes. When being used to power a structure, this outlet must be used in conjunction with a transfer switch. Not for indoor use. When using an engine driven generator, locate away from doors and windows to avoid the build-up of carbon monoxide from the engine exhaust in enclosed areas.

## Installing the Power Outlet Box

Mount the power outlet box on the outside of the building in a convenient location, using the three holes provided in the back of the cabinet. Using copper wire only and approved wiring methods, run the wiring through one of the knockouts in the cabinet to a junction box located near the transfer switch. If using conduit, pull at least four colors. Wire Gauge:4AWG~8AWG.

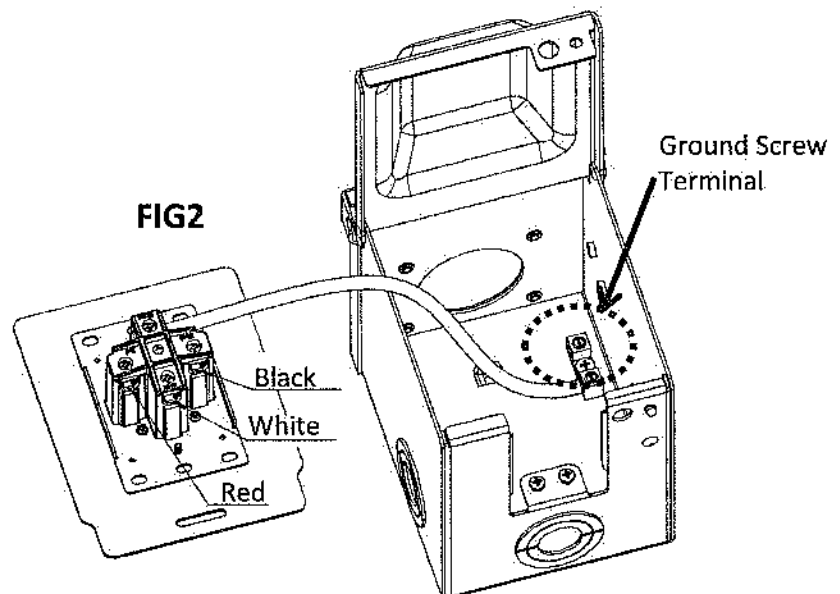
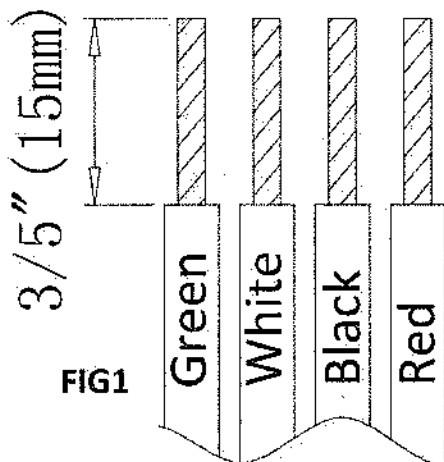
Strip the wire insulation 3/5" (15mm, FIG1) (do not tin conductors) and connect the wires in the power outlet box as follows: Making sure there is no wire insulation in any terminal and the outlet terminal screws are tightened to 35 inch-pounds torque using Electric flat screwdriver

### Cable Color Scheme:

Black/Red=Load (250 Vlot),the terminals marked "Black" and "Red"

White=W-Neutral Conductor connected to "White" marking terminal.

Green=Green power inlet wire to green ground screw terminal on inside of cabinet. If required, green wire to green ground screw terminal on inside of cabinet.(FIG2)



# INSTALLATION NOTES

Choose one threading hole that suits you the best. (A, B, C, or D)

