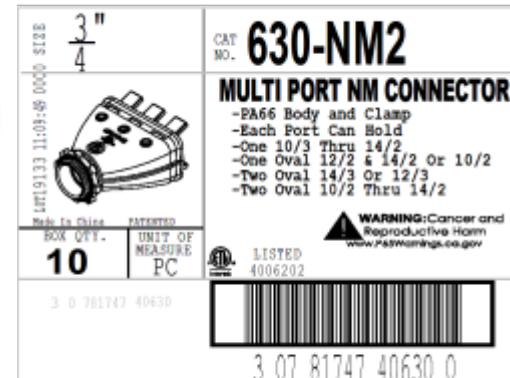
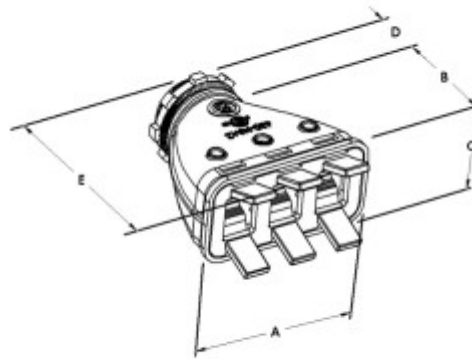
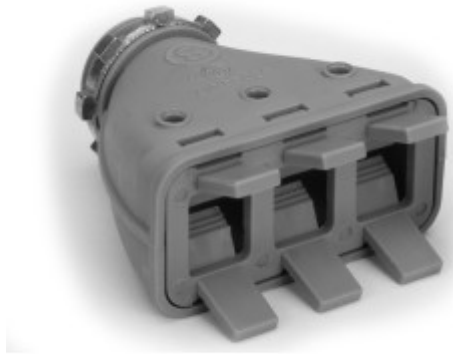


## Mighty-Merge® Transition Fittings. 3/4" Multi-NM Connector

The 630-NM2 allows for multiple nonmetallic cables to be installed into a single 3/4" KO. Simply squeeze the tabsto install or remove the cables. They're perfect for prefabrication of bundles of nonmetallic cable. These fittings provide a huge labor savings, compared to the traditional junction box or fitting assembly installation. Each port can hold One 10/3 through 14/2 cable; or One Oval 10/2, 12/2 or 14/2; or Two Oval 14/3 or 12/3; or Two Oval 10/2 thru 14/2 NM Cables. Patented.


[Download Photo](#)
[Download Drawing](#)
[Download Drawing](#)

### Product details

Catalog Number:	630-NM2
UPC Number:	78174740630
Primary Materials:	Plastic
Trade Size:	3/4"
Unit Quantity:	10
Standard Package Quantity:	40

### Dimensions

Trade Size:	3/4"
Dimensions A:	2.613
Dimensions B:	1.35
Dimensions C:	2.064
Dimensions D:	0.471
Dimensions E:	3.071

### Certifications & Codes

Federal Specification Number: A-A-50553

UL File Number: cETLus Listed

UNSPSC: 39121419

Nema Standard: FB-1

UL Standard: UL-514B

Patent Number: 9608417