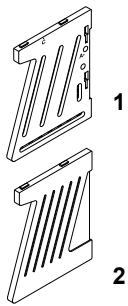
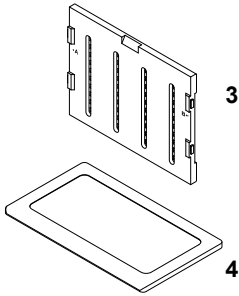


Iceberg SnapEase 42" Computer Desk



1

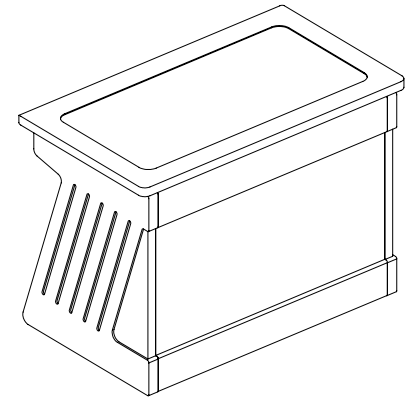
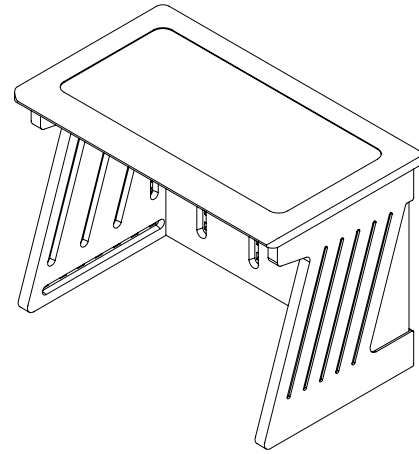


3

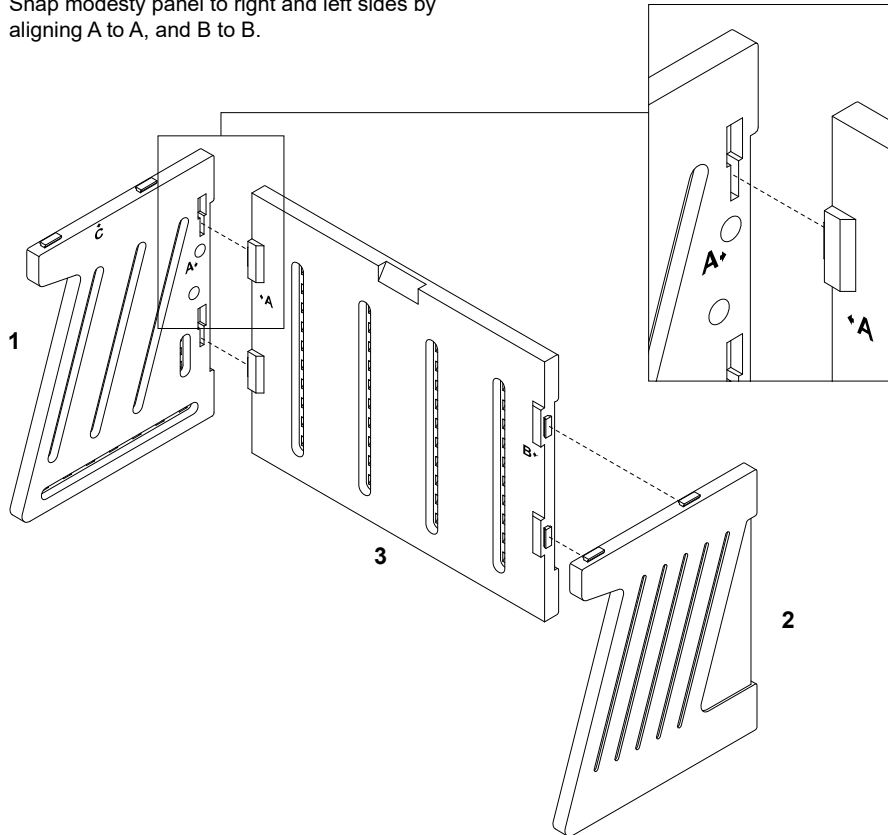
2

4

- 1 - Side Panel (Left)
- 2 - Side Panel (Right)
- 3 - Modesty Panel
- 4 - Top Panel



1 Snap modesty panel to right and left sides by aligning A to A, and B to B.



2 Hold support pieces in place, and place top panel on side and modesty panels. Align C to C, and slide top panel into position.

