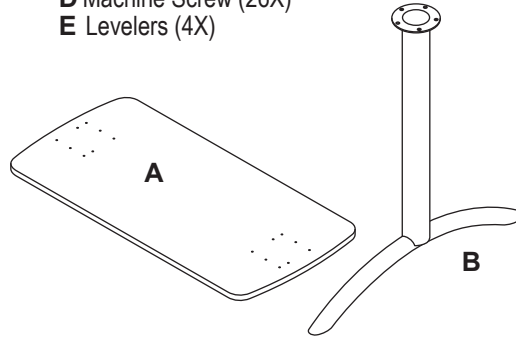
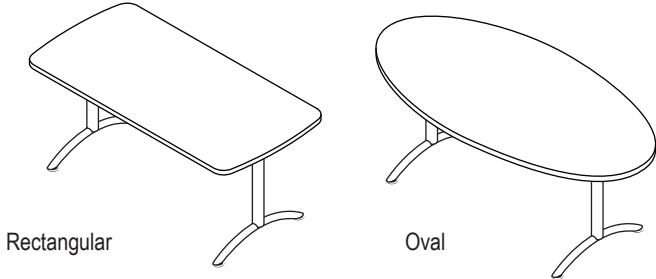
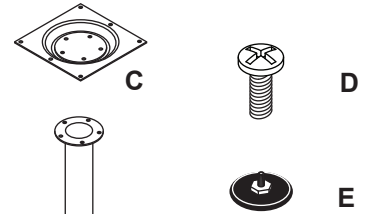


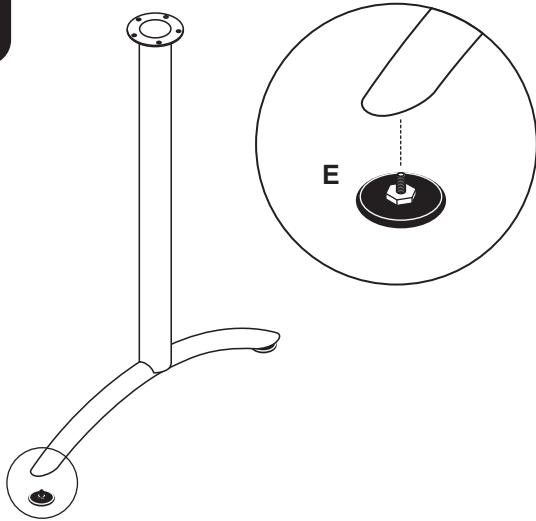
Required tools



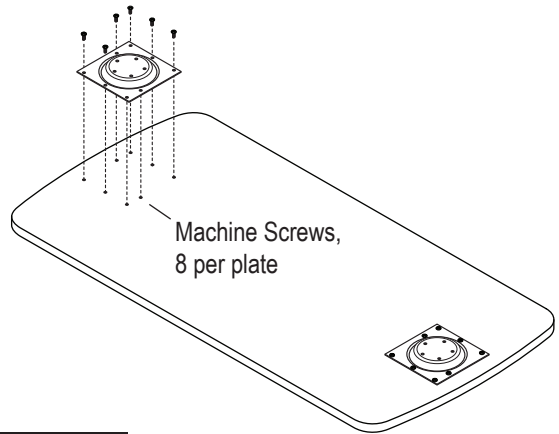
- A Table Top (1X)
- B ARC Leg (2X)
- C Mounting Plate (2X)
- D Machine Screw (26X)
- E Levelers (4X)



1 Attach levelers (4X)

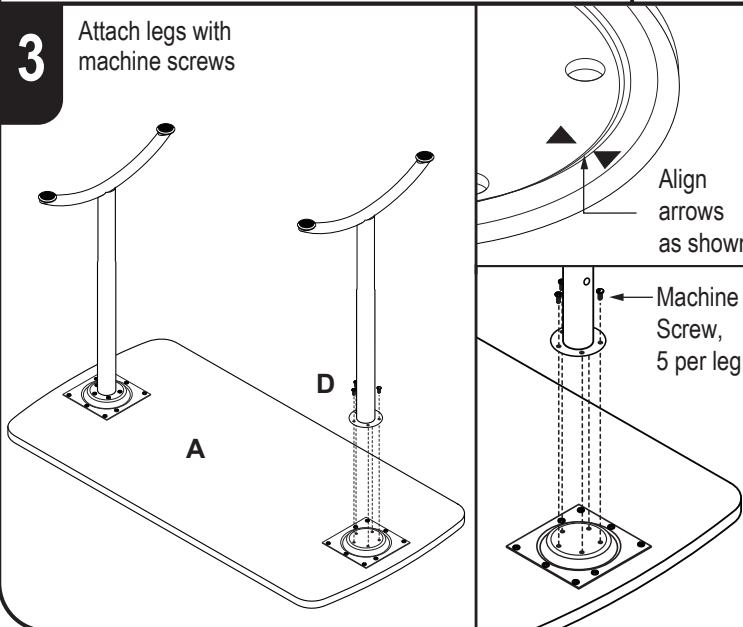


2 Attach mounting plates to underside of table

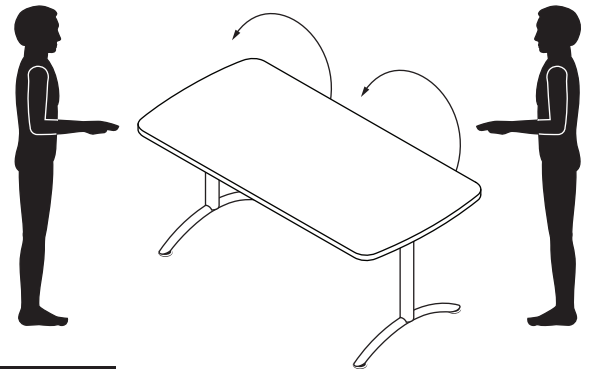


CAUTION!
Set tabletop upside down on protected surface

3 Attach legs with machine screws



4 Set table upright



CAUTION!
2 persons required to flip table over.
2 persons required to adjust both legs at the same time.