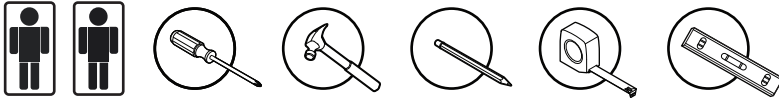
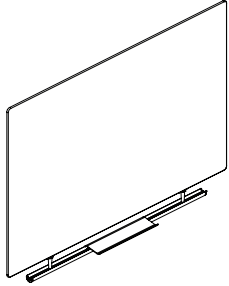


Required Tools

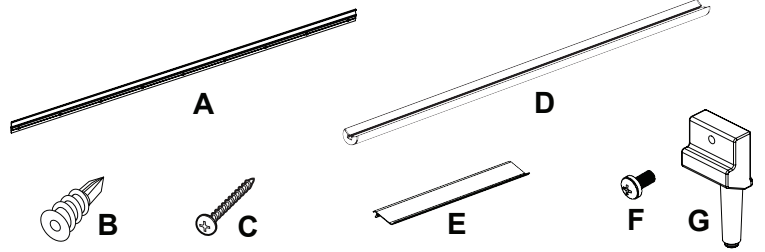


Accessories



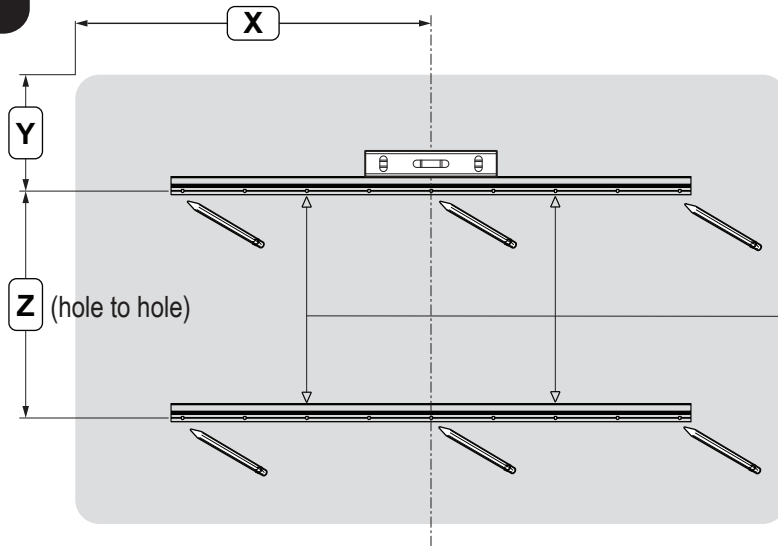
Hardware

- A** Mounting Strip (2X)
- B** Anchor (10X)
- C** Drywall Screw (10X)
- D** Marker Rail (1X)
- E** Marker Tray (1X)
- F** Short Screw (2X)
- G** Rail Bracket (2X)

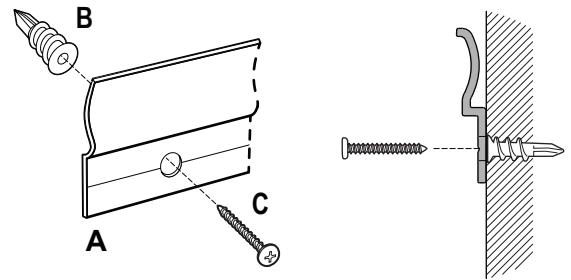


1

Position and Install Mounting Strips



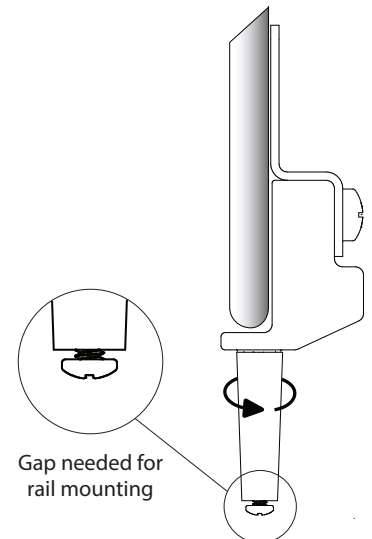
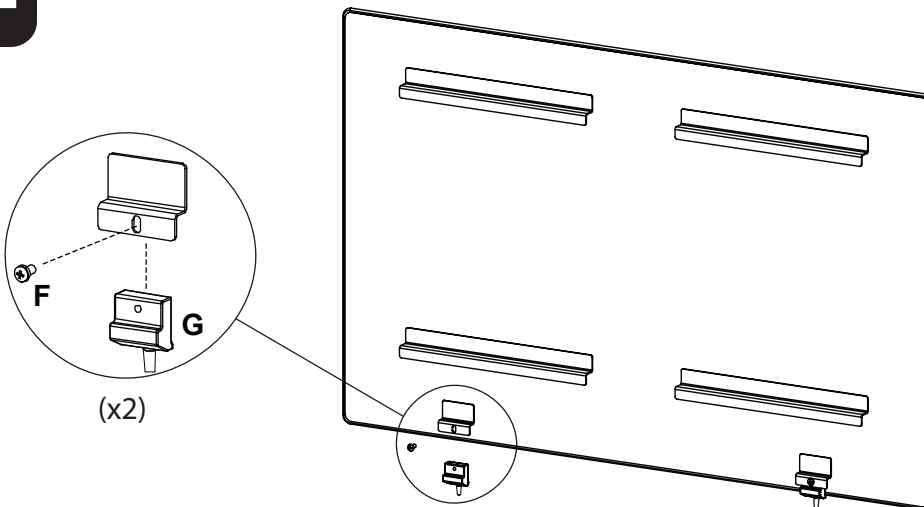
Cinema Board Size	X	Y	Z
24" x 38"	19"	5"	15"
30" x 50"	25"	5"	20"
36" x 62"	31"	7"	22"
42" x 74"	37"	7"	29"



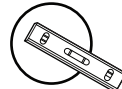
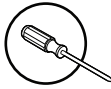
*Large Boards Require 4 Additional Mounting Points

2

Install Rail Brackets



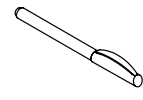
Required Tools



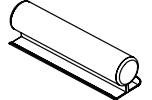
Accessories



Magnets

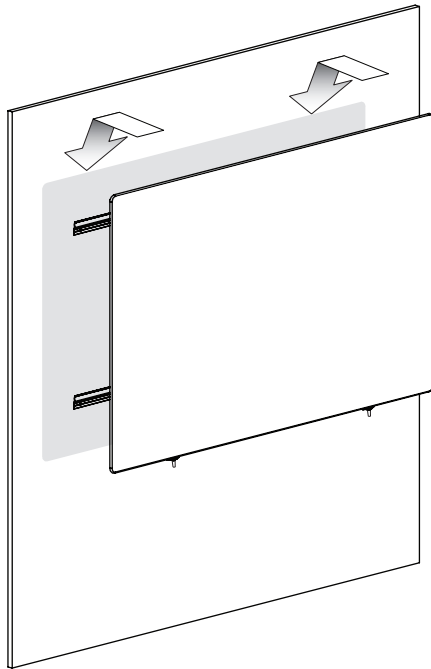


Dry-Erase Marker

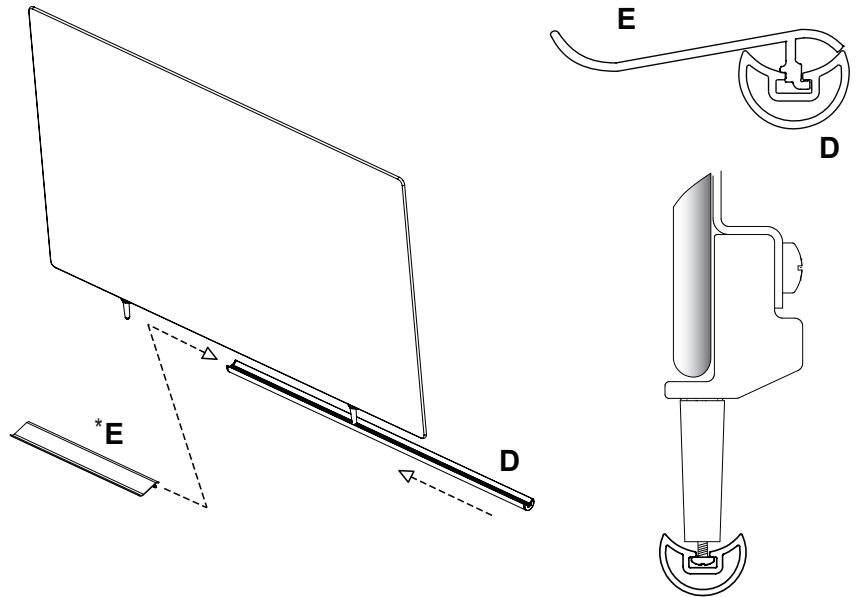


Eraser

3 Mount Board to Wall 2 Persons Required

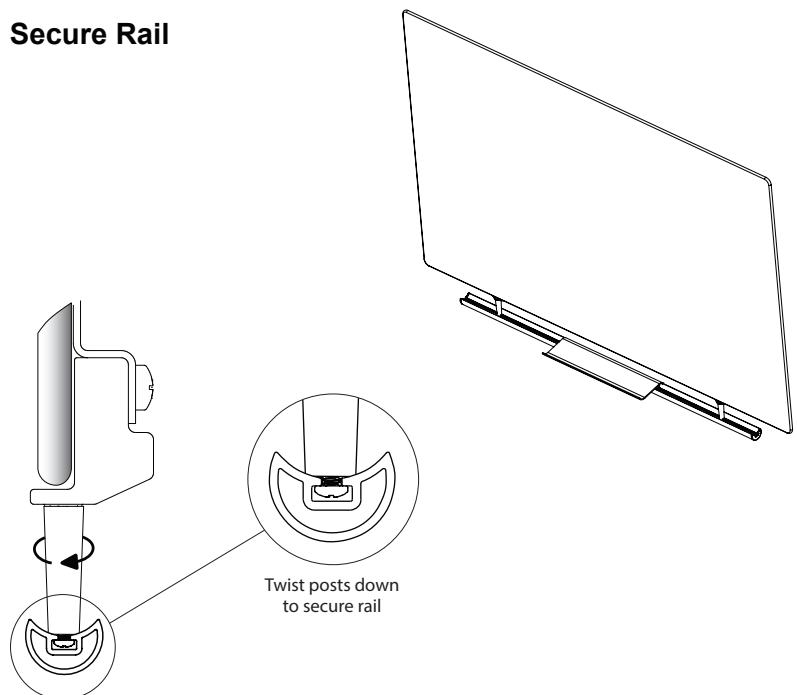
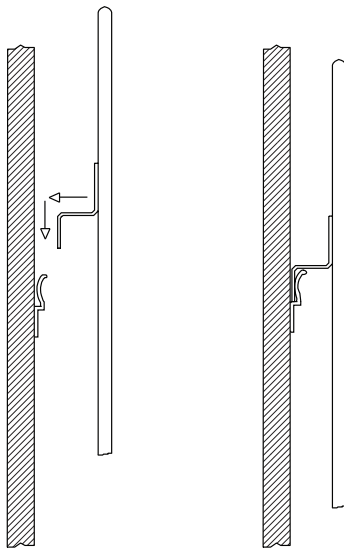


4 Mount Rail and Eraser Tray



*Slide tray into rail before sliding rail onto 2nd post

5 Secure Rail



Twist posts down to secure rail