

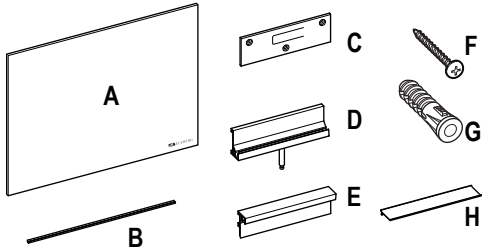


# Clarity

INS311 Rev A

## Glass Dry Erase Board

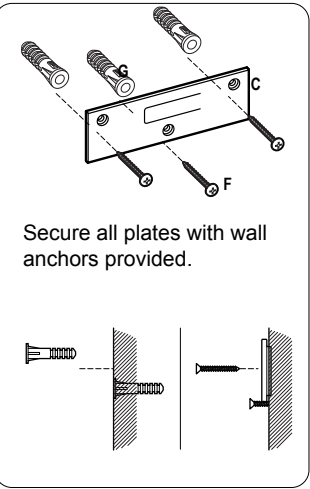
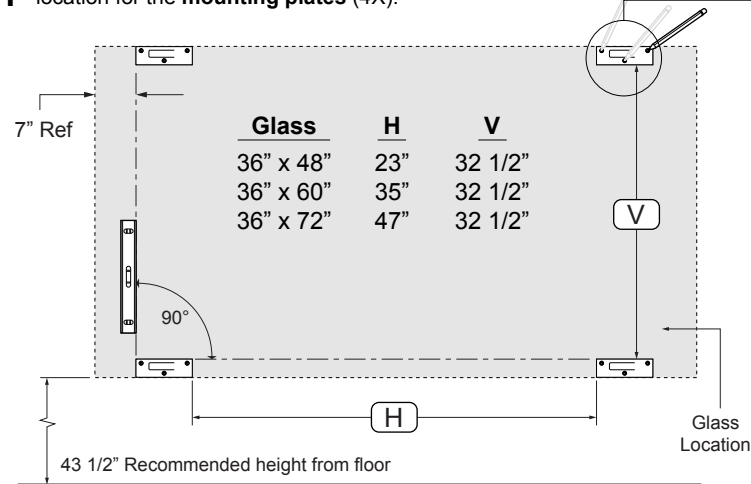
31140 / 31150 / 31160



- A Tempered Glass (1X)
- B Rail (1X)
- C Mounting Plate (4X)
- D Bottom Support Bracket (2X)
- E Top Support Bracket (2X)
- F Mounting Plate Screws (12X)
- G Anchors (12X)
- H Eraser Tray (1X)

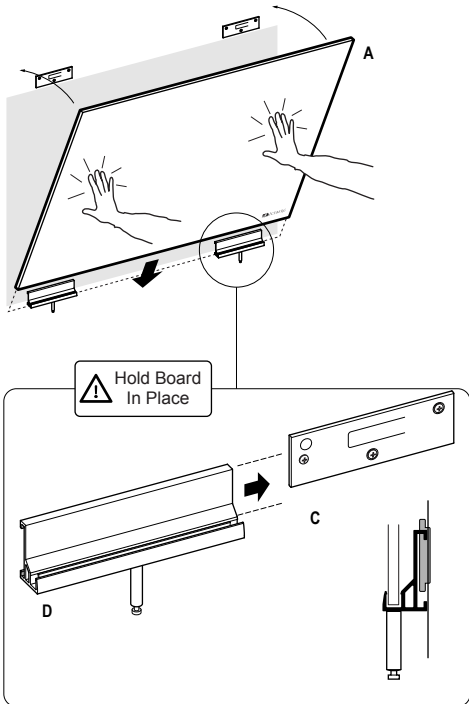


**1** Decide where board will be placed, and carefully measure the location for the **mounting plates (4X)**.

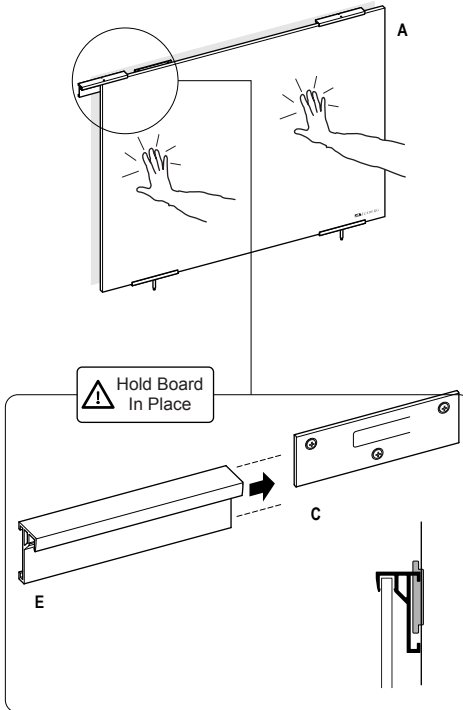


**CAUTION! Sharp instruments may damage coating. Use caution during installation.**

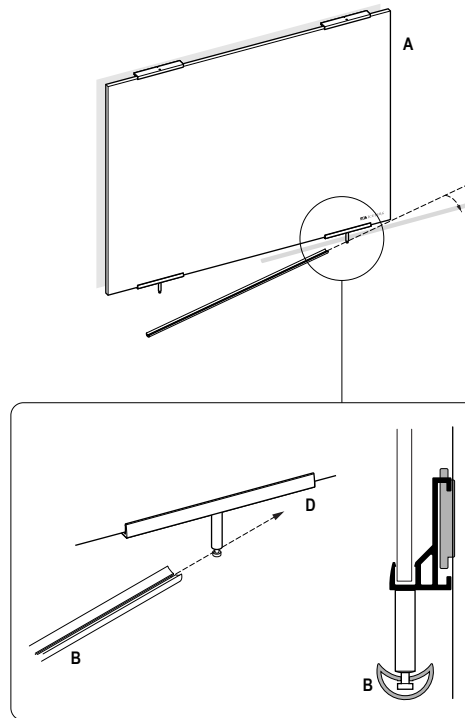
**2** Slide **bottom support brackets (2X)** over the secured mounting plates. Carefully place board into slot of support brackets. Make sure to hold board in place through the completion of step 3.



**3** While holding board in place, carefully slide **top support brackets (2X)** over the secured mounting plates.



**4** Slide the single **rail** through the bottom post of support bracket at a slight angle. Then rotate rail and slide through opposite post. Adjust rail so that it is even.



**5** Turn plastic sleeve on **post** to secure rail to bottom brackets. Take the **eraser tray** and secure it to rail at desired location.

