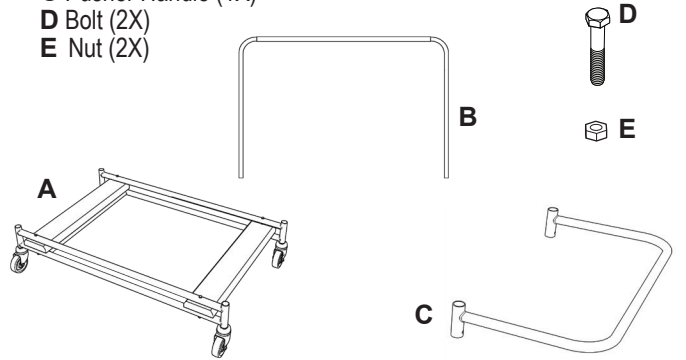
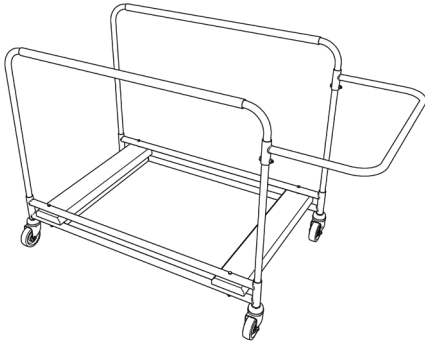


Required tools

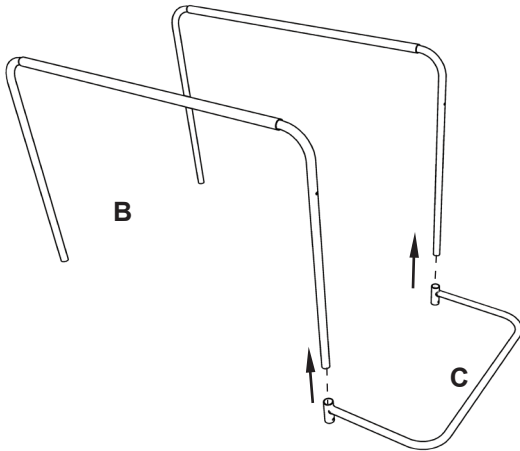


- A Pre-assembled Cart base (1X)
- B Side Rails (2X)
- C Pusher Handle (1X)
- D Bolt (2X)
- E Nut (2X)



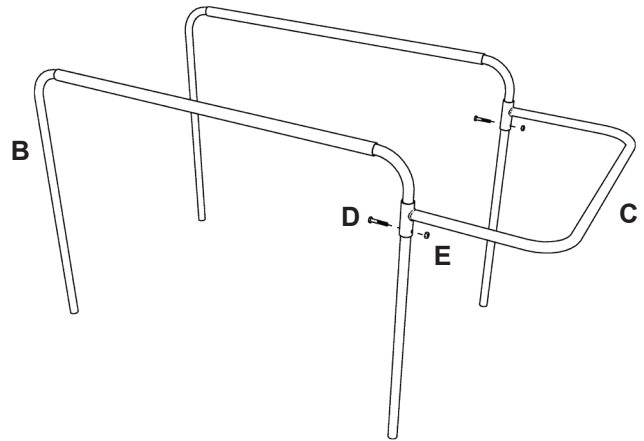
1

Insert the pusher handle brace over the 2 sides rails



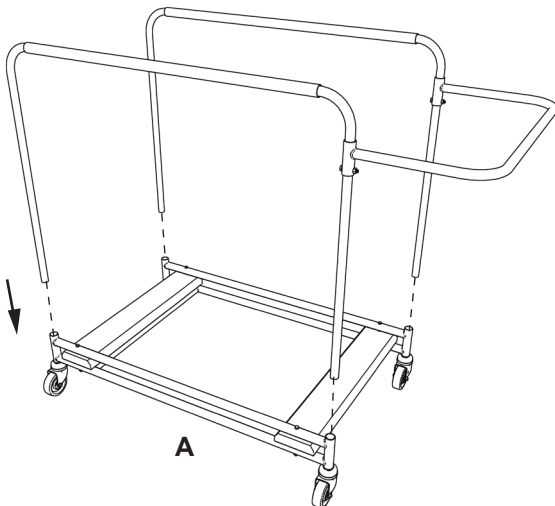
2

Line up the holes on each side and secure with nut and bolt.



3

Align rails and insert into cart base.



4

Enjoy your cart.

