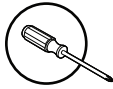


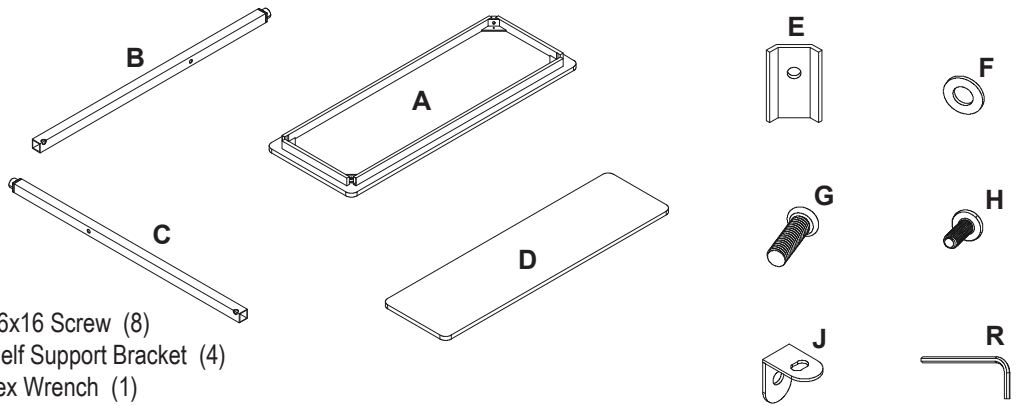
Required Tool



Hardware

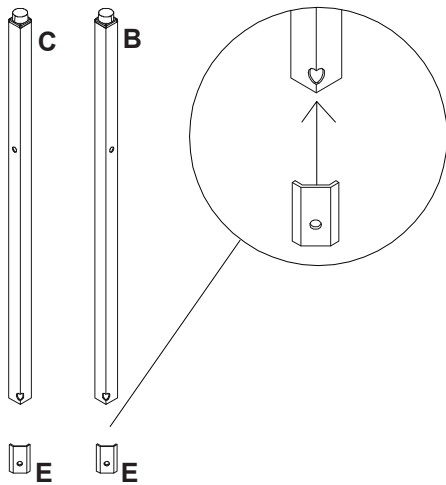
- A - Table Top (1)
- B - Leg (2)
- C - Leg (2)
- D - Shelf (1)
- E - Leg Insert (4)
- F - Washer (4)
- G - M8x25 Screw (4)

- H - M6x16 Screw (8)
- J - Shelf Support Bracket (4)
- R - Hex Wrench (1)



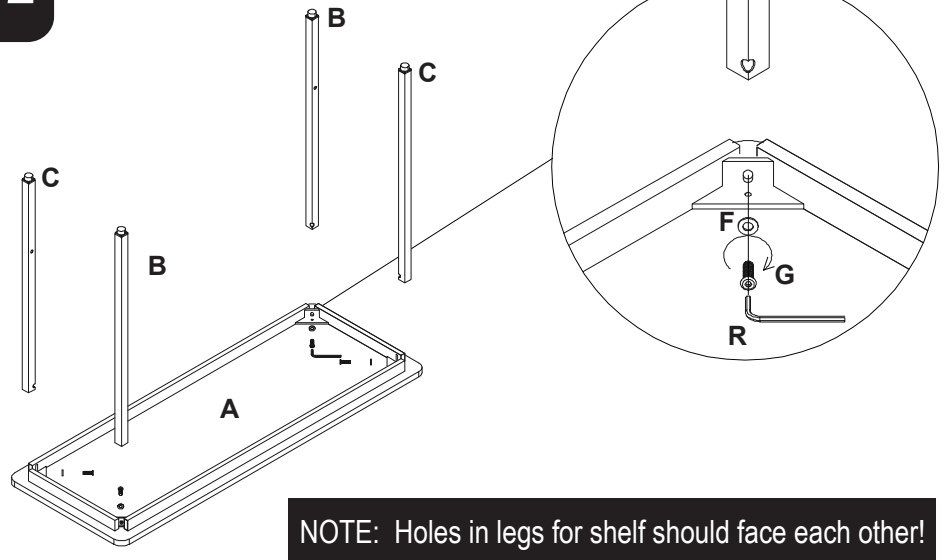
1

Place leg insert inside all legs.



2

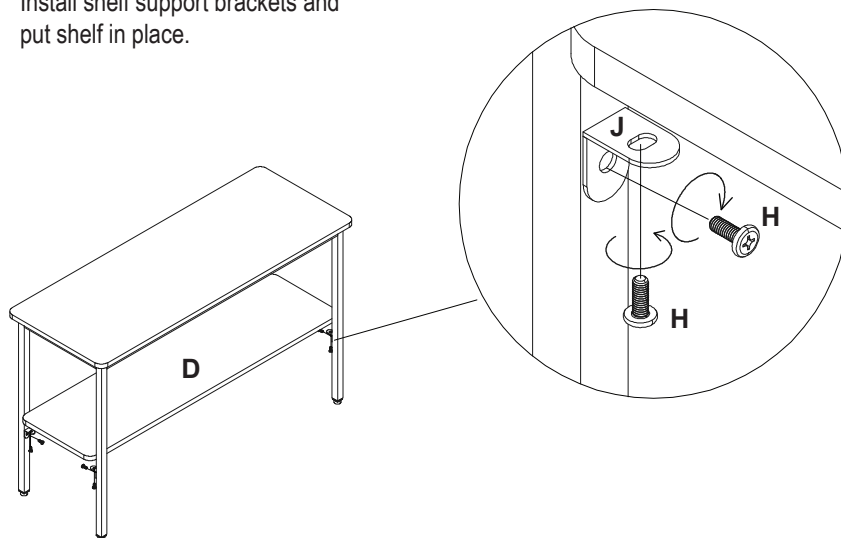
With table top upside down, secure legs in the positions shown.



NOTE: Holes in legs for shelf should face each other!

3

Install shelf support brackets and put shelf in place.



4

