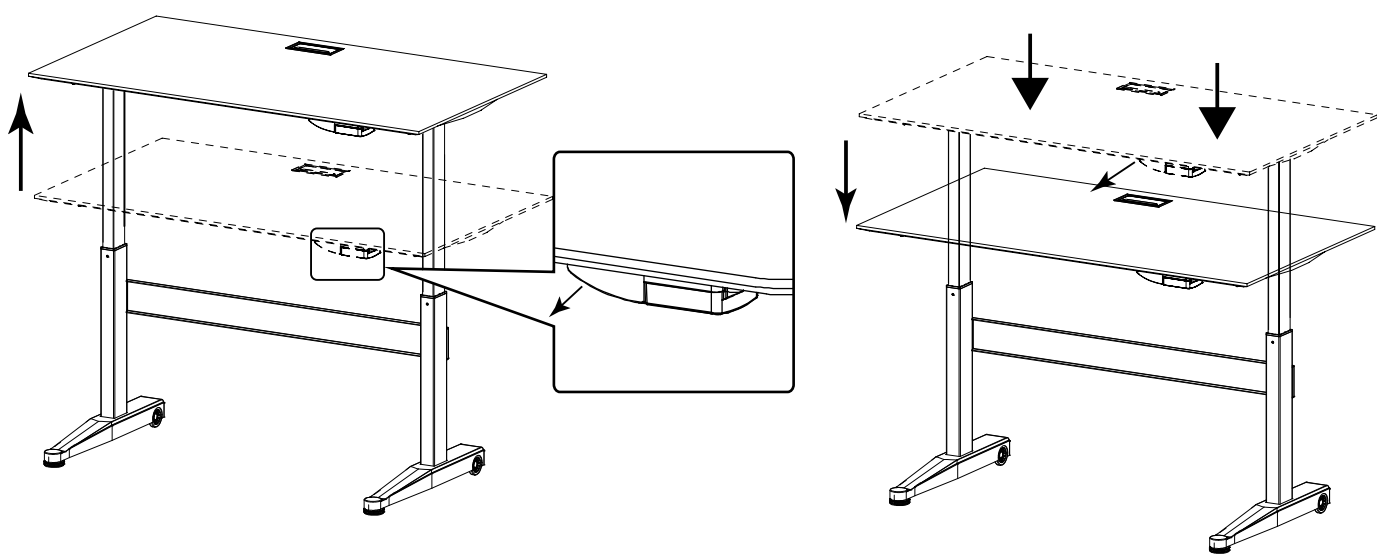




! Attention:
It is recommended not to exceed a maximum of 30 lbs. on desk top to allow for easy lifting. You may need to apply some upwards force to release the pressure in cold temperatures.

! Caution:
Do not sit on desk.
Weight must be distributed evenly to prevent tipping.



Pull lever out to **raise**.

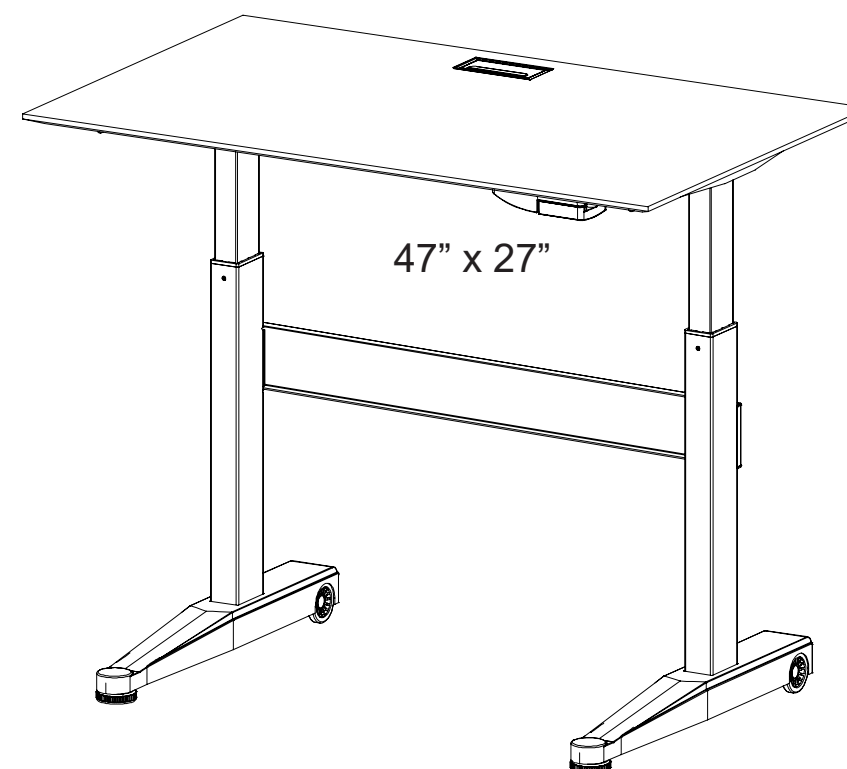
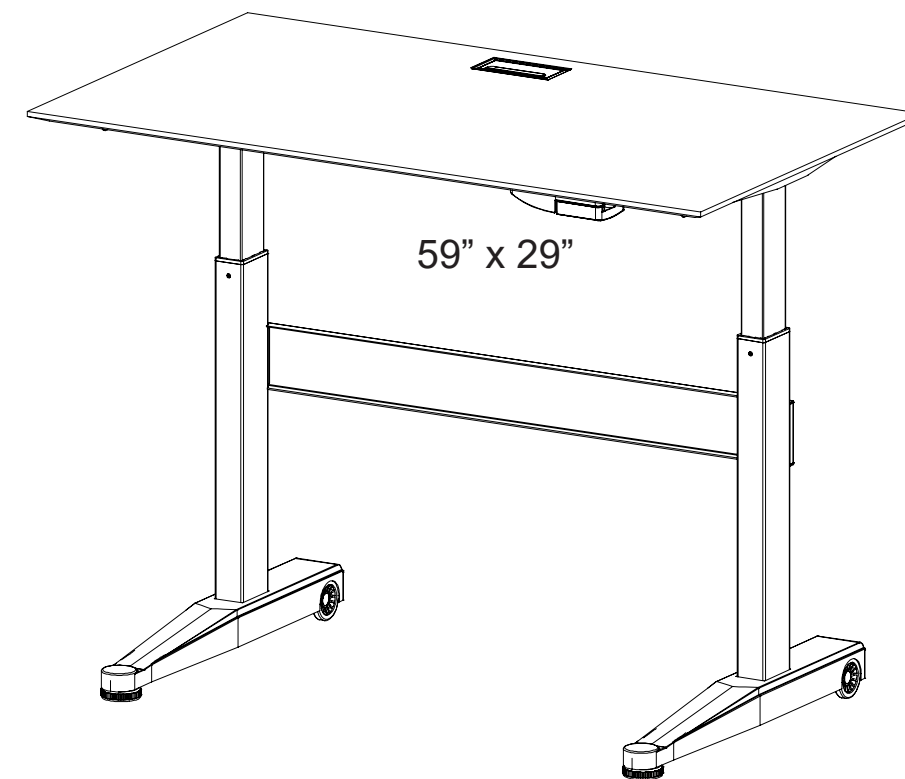
Pull lever out & push top down to **lower**.



Pneumatic Table

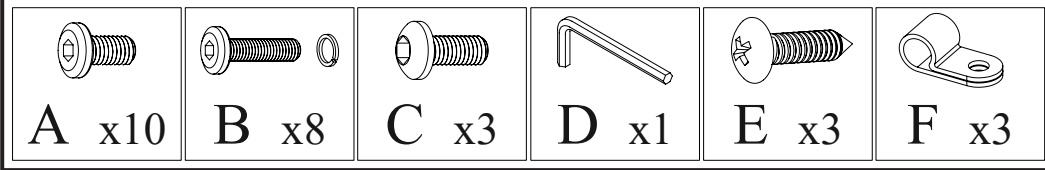
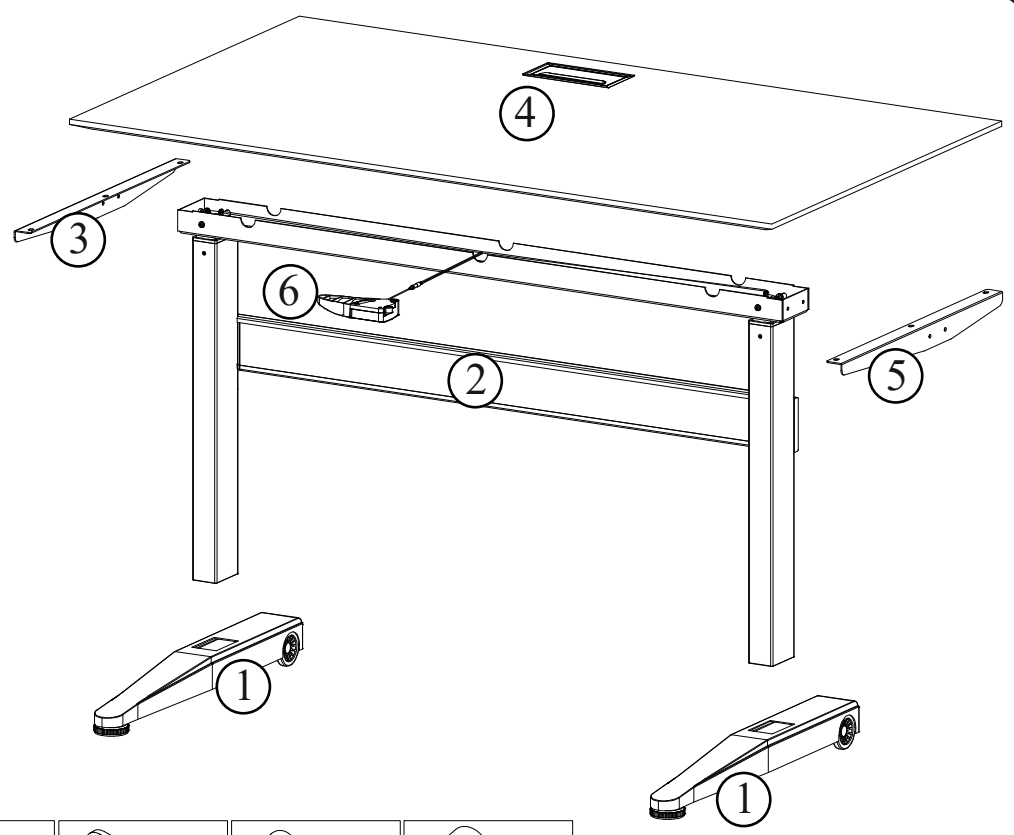
Product Assembly Instructions

69112, 69117
69162, 69167

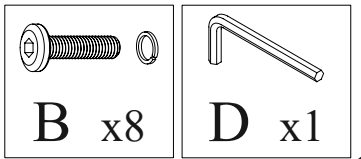
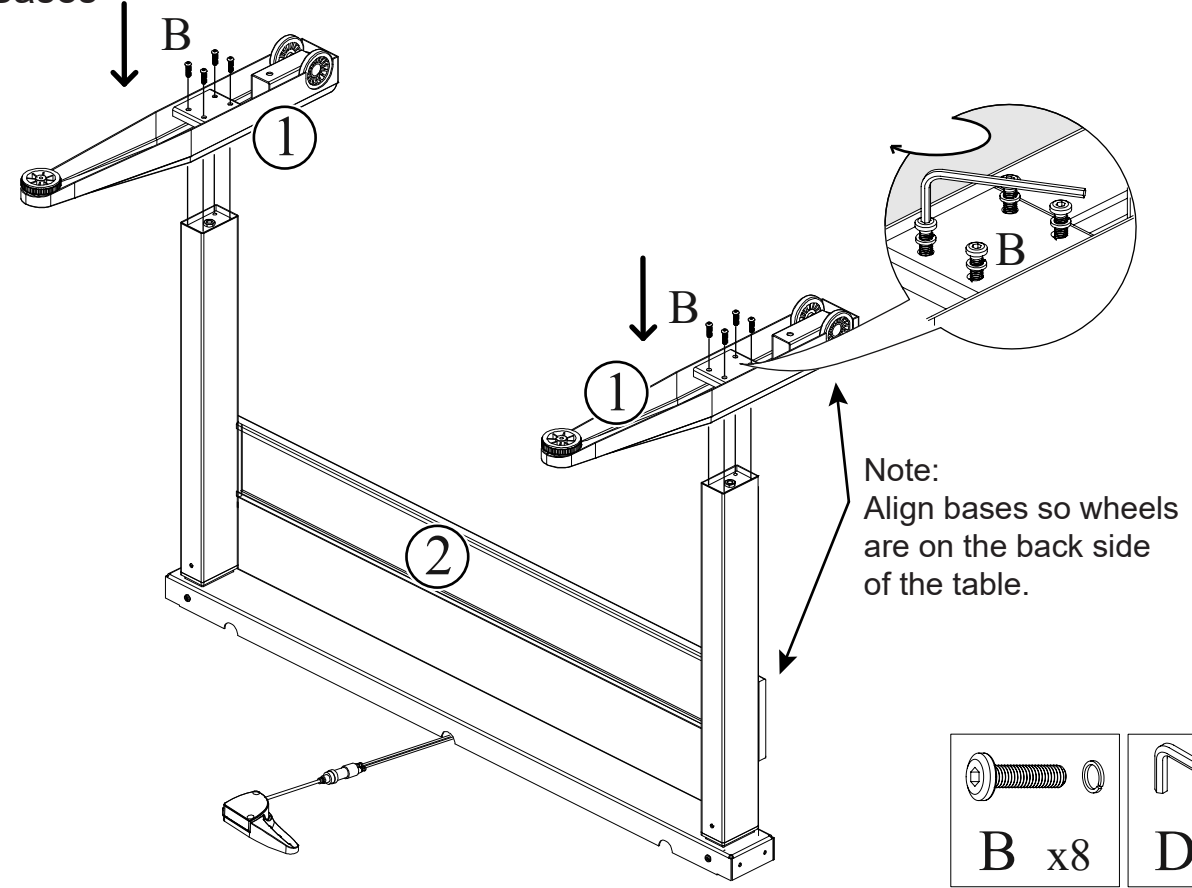


Parts List

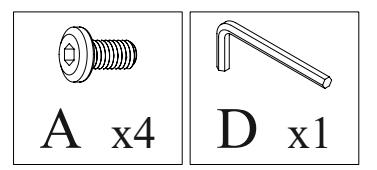
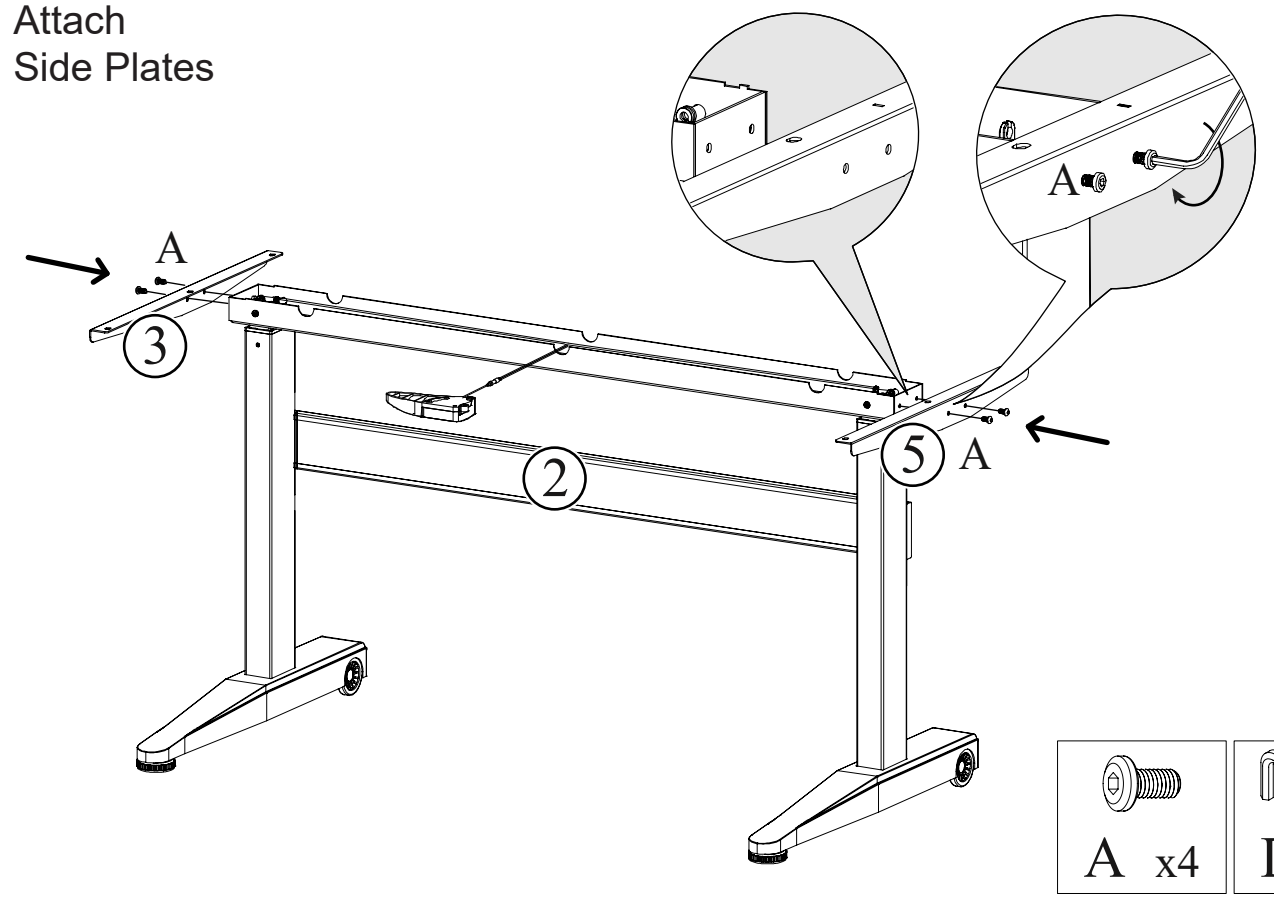
- 1. Leg Base x2
- 2. Base Frame x1
- 3. Left Side Plate x1
- 4. Top x1
- 5. Right Side Plate x1
- 6. Lift Control x1



1 Attach Leg Bases



2 Attach Side Plates



3 Attach Top & Lift Control

