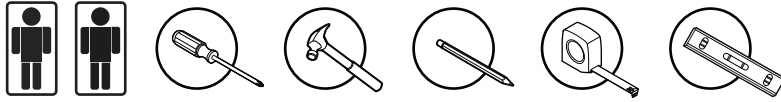
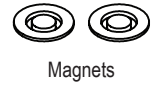


Required tools

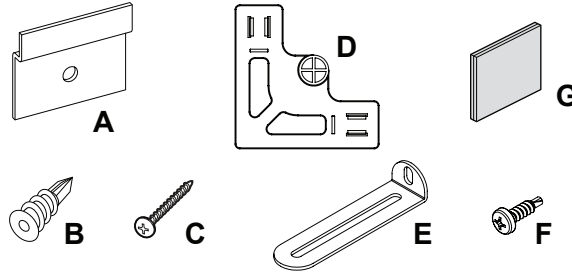


Accessories



Hardware List

- A** Z-Bracket (4X)
- B** Wall Anchor (6X)
- C** Drywall Screw (6X)
- D** Corner Hole Guide (2X)
- E** Bottom L-Bracket (2X)
- F** Short Screw (2X)
- G** Adhesive Pads (2X)



1 Position and Install Wall Mounting Z-Brackets

Horizontal

Cinema Board Size	X
24" x 38" (H)	26"
36" x 46" (H)	34"
*42" x 74" (H)	62"

*Additional Support Required for Large Board

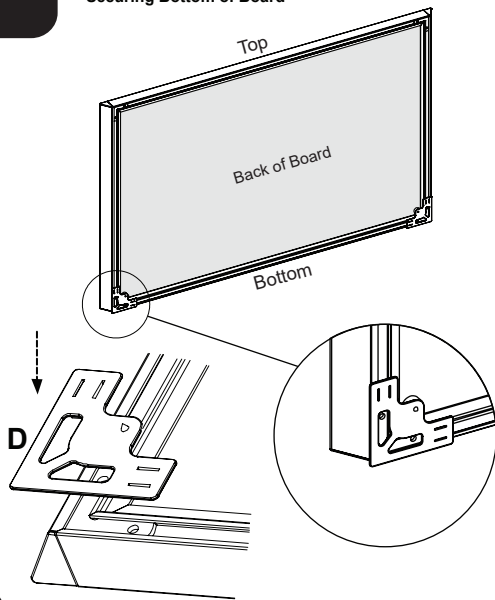
Vertical

Cinema Board Size	X
24" x 38" (V)	12"
36" x 46" (V)	24"

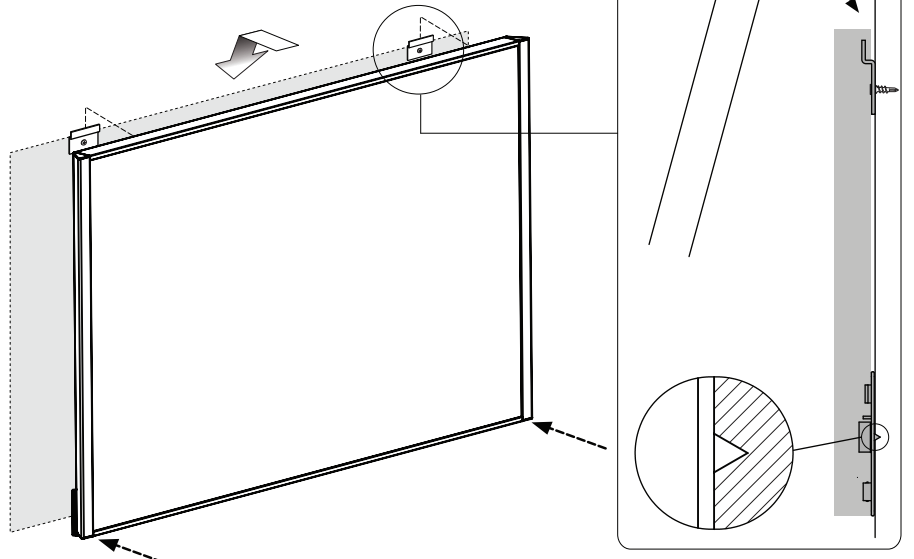
Board hangs (H) horizontally or (V) vertically

2 Snap on Corner Hole Guides

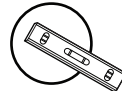
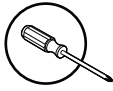
See Step 7 for Optional Method of Securing Bottom of Board



3 Hang Board and Press Firmly on Bottom Corners to Mark Wall For Locating Bottom L-Brackets



Required tools

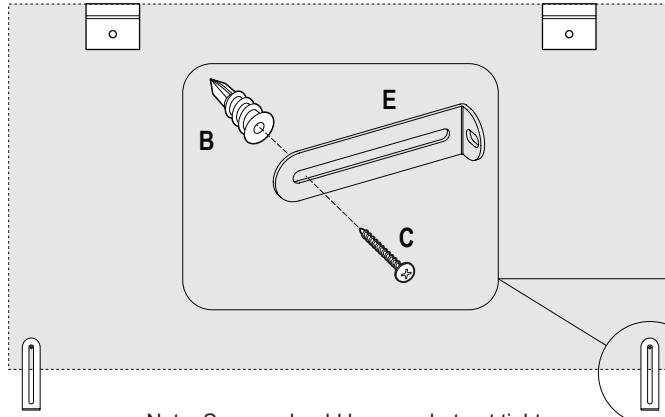
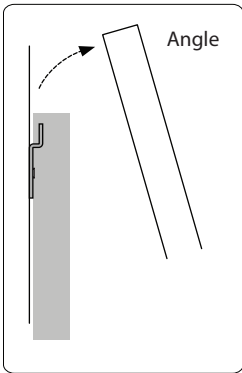


Accessories

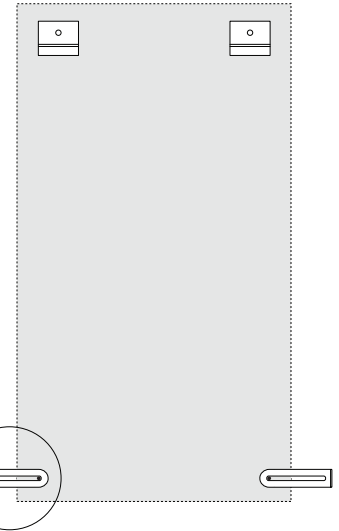


Magnets

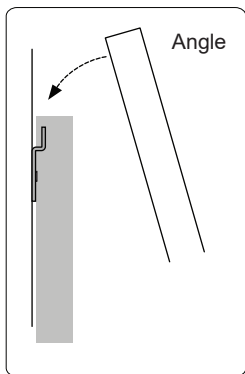
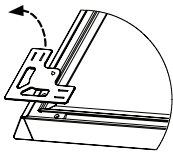
4 Remove Board from Wall Install L-Brackets



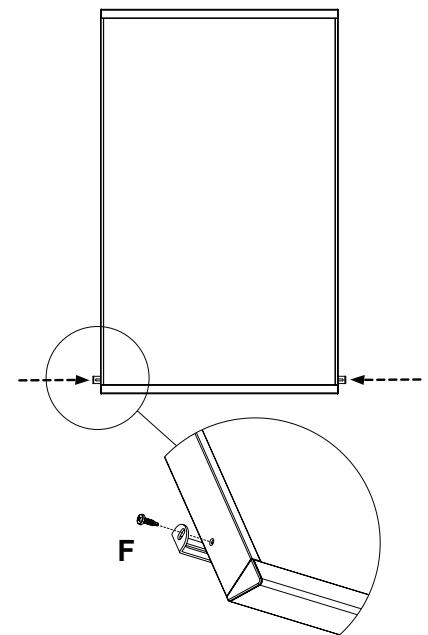
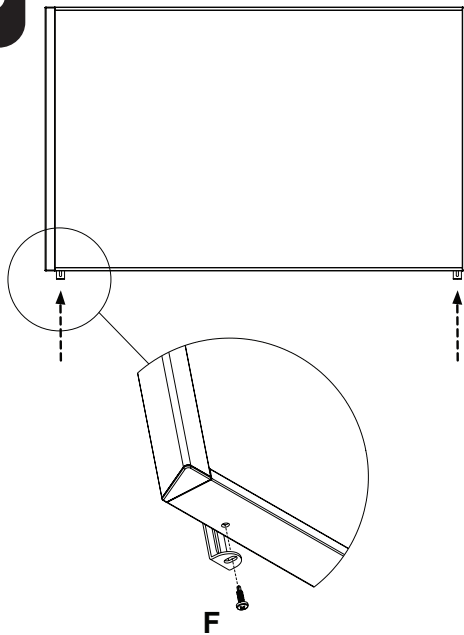
Note: Screws should be snug but not tight



5 Discard Corner Hole Guides Hang Board



6 Slide Brackets In and Secure to Frame



7 Alternate Method for Securing Bottom of Board Skip steps 2 - 6 Place Adhesive Pads in Bottom Corners Press Bottom Corners of Board Firmly Against Wall

