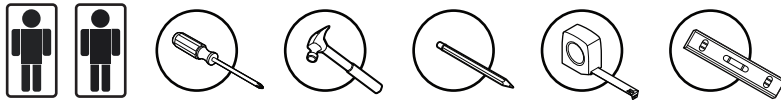




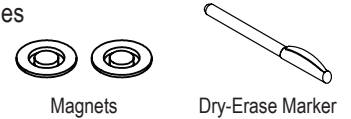
NANO Steel Magnetic Whiteboard

Board Mounting Instructions INS008 rev. A

Required tools

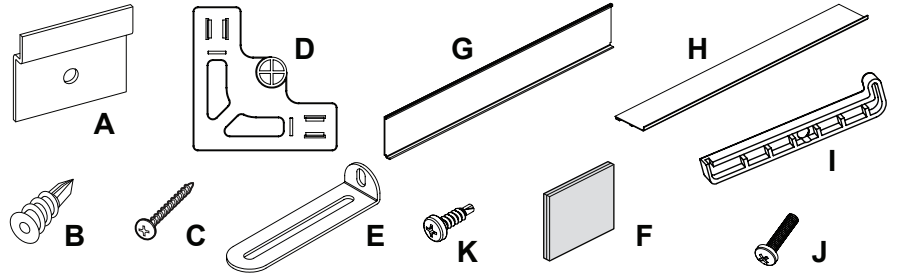


Accessories

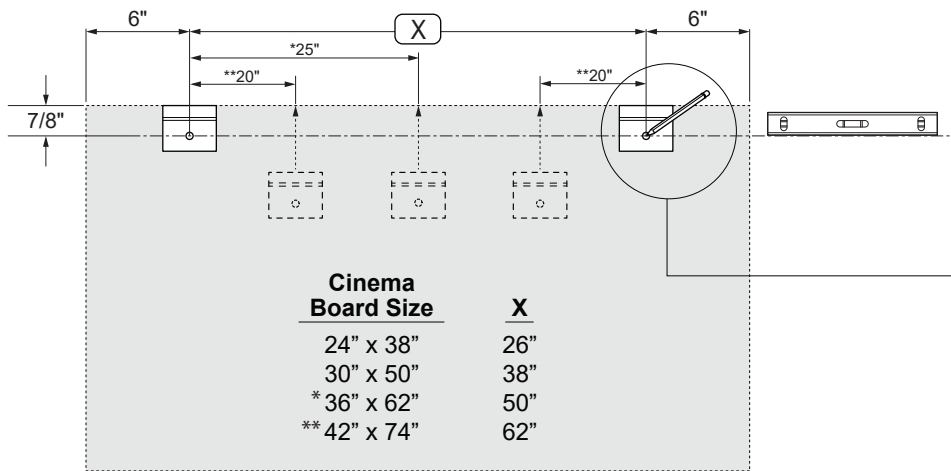


Hardware List

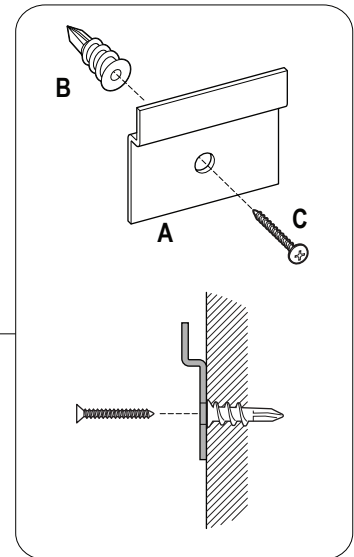
- A** Z-Bracket (4X)
- B** Wall Anchor (6X)
- C** Drywall Screw (6X)
- D** Corner Hole Guide (2X)
- E** Bottom L-Bracket (2X)
- F** Adhesive Pads (2X)
- G** Tray Hanger (1X)
- H** Marker Tray (1X)
- I** Tray End Cap (2X)
- J** Long Screw (2X)
- K** Short Screw (2X)



1 Position and Install Wall Mounting Z-Brackets

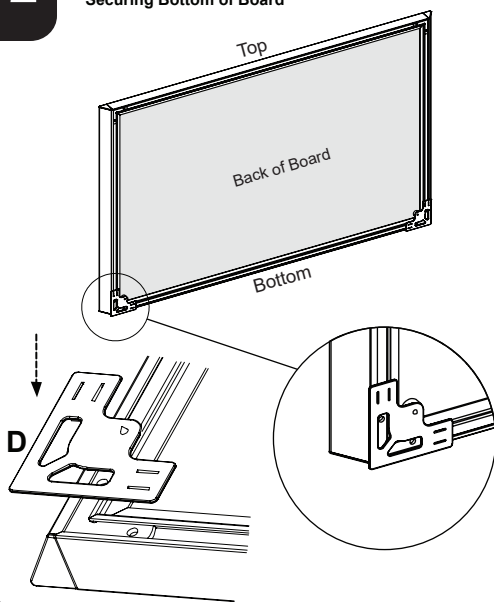


Additional Support Required for Large Boards

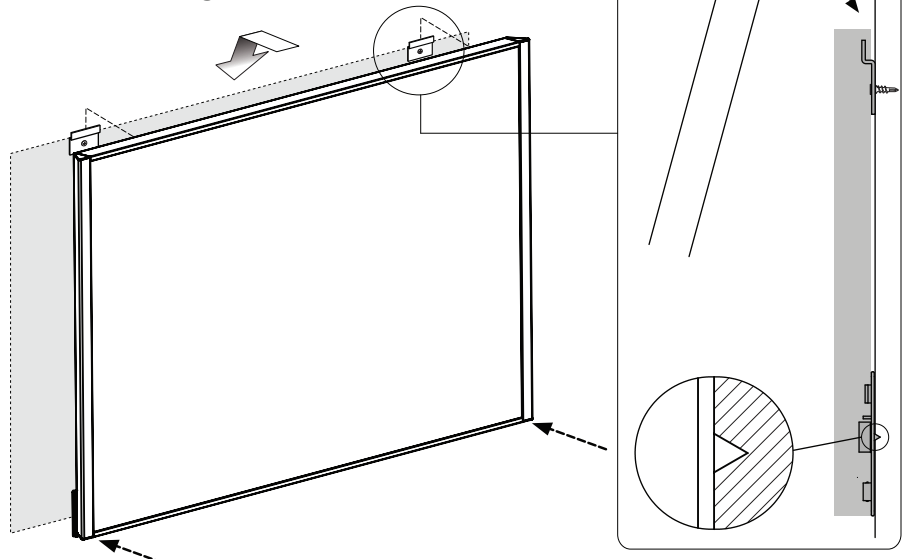


2 Snap on Corner Hole Guides

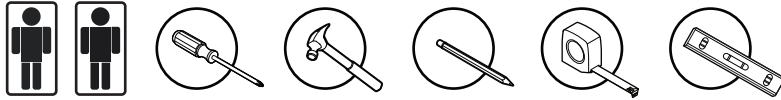
See Step 7 for Optional Method of Securing Bottom of Board



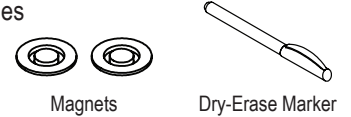
3 Hang Board and Press Firmly on Bottom Corners to Mark Wall For Locating Bottom L-Brackets



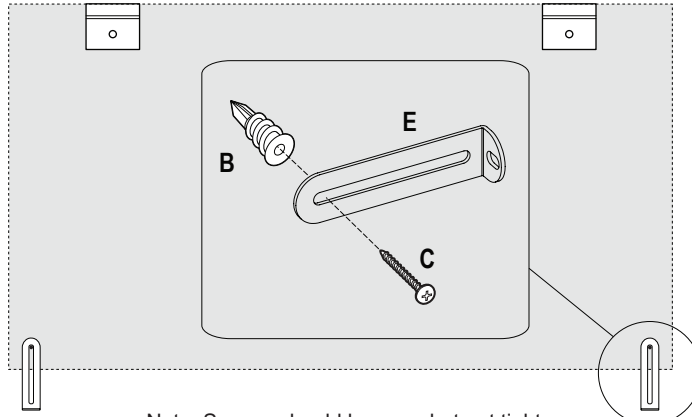
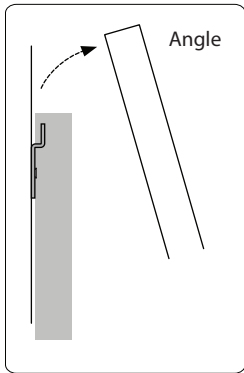
Required tools



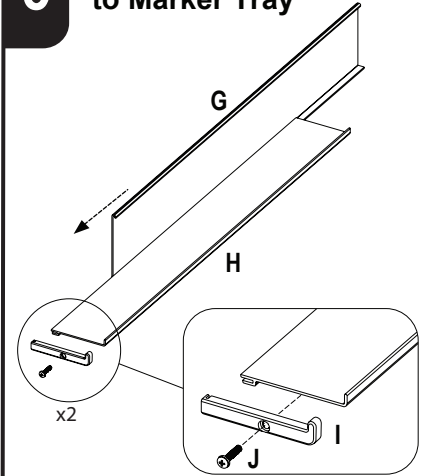
Accessories



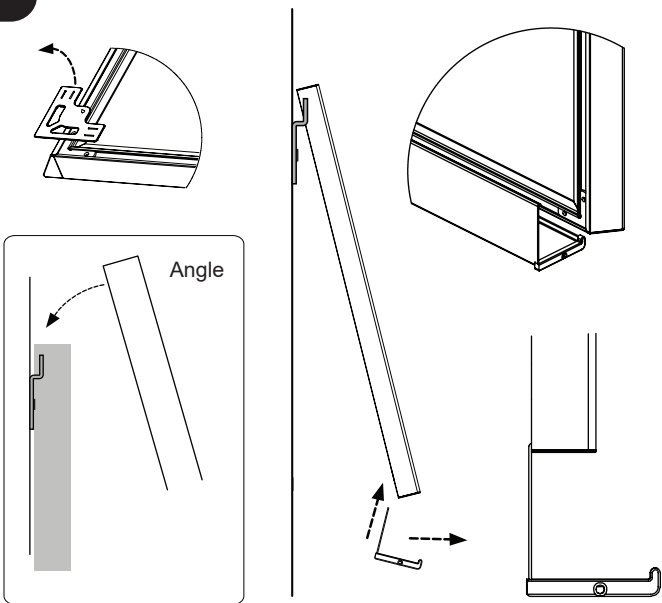
4 Remove Board from Wall Install Bottom L-Brackets



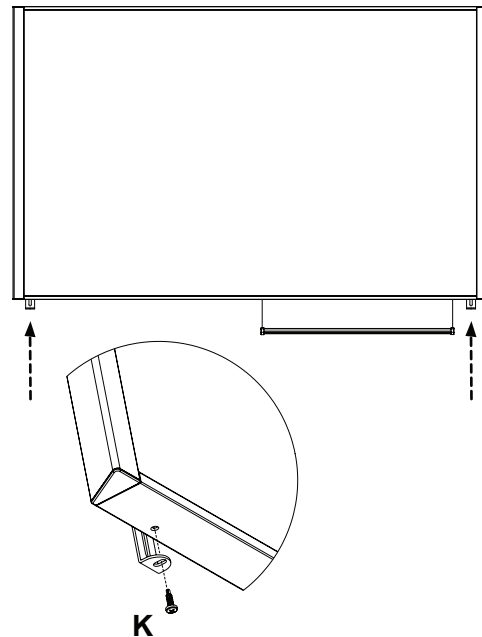
5 Assemble Hanger to Marker Tray



6 Discard Corner Hole Guides. Hang Board. Snap Tray Hanger into Back Frame Channel



7 Slide Brackets Up and Secure to Frame



8 Alternate Method for Securing Bottom of Board Skip steps 2, 3, 4 and 7 Place Adhesive Pads in Bottom Corners Press Bottom Corners of Board Firmly Against Wall

