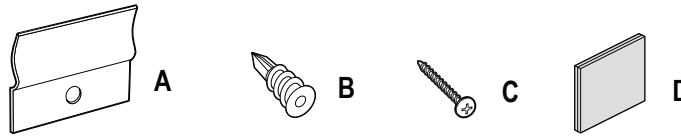


Required tools



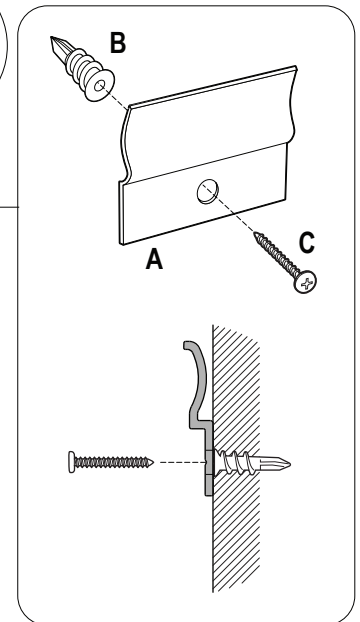
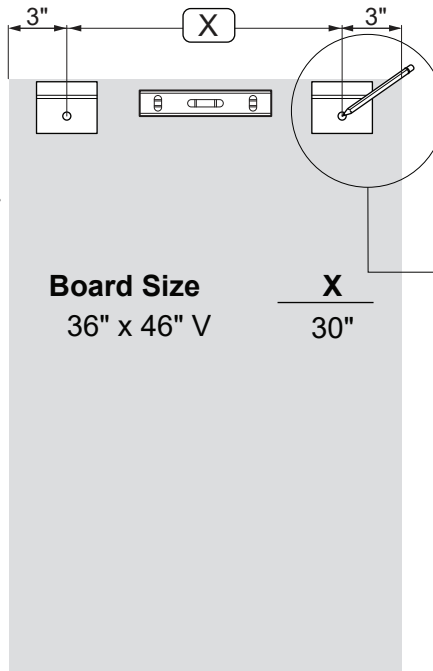
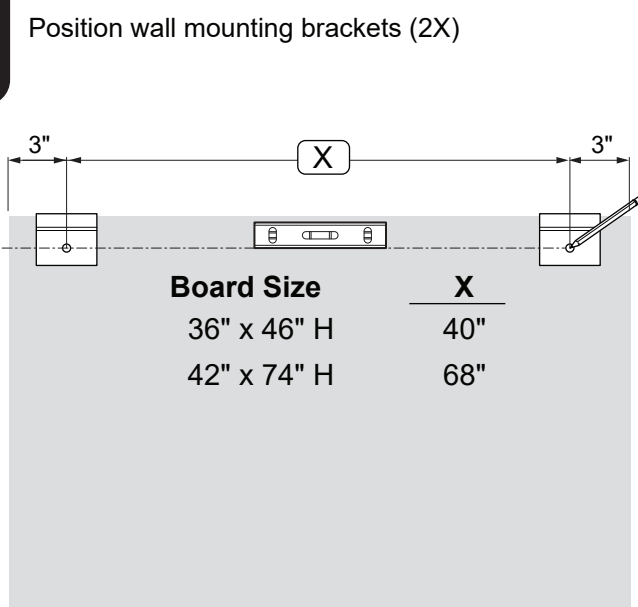
Hardware List

- A** Wall Bracket (2X)
- B** Anchor (2X)
- C** Screw (2X)
- D** Adhesive Pad (2X)



1

Position wall mounting brackets (2X)



Board hangs (H) horizontally or (V) vertically

2

Hang board.

