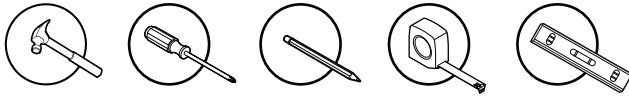
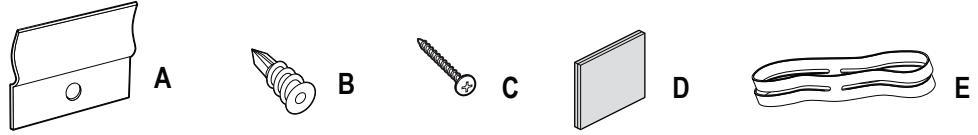


Required tools

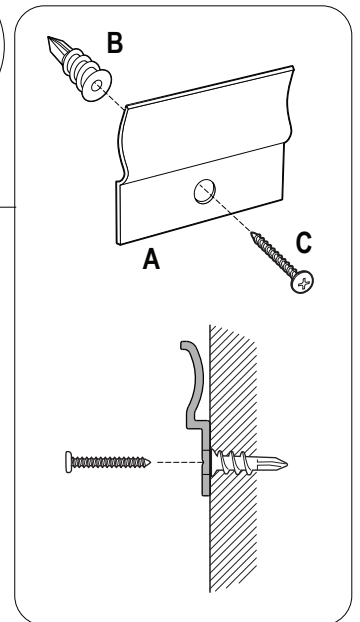
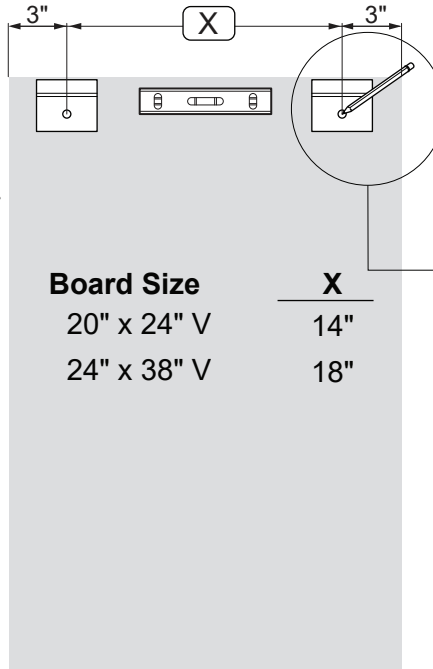
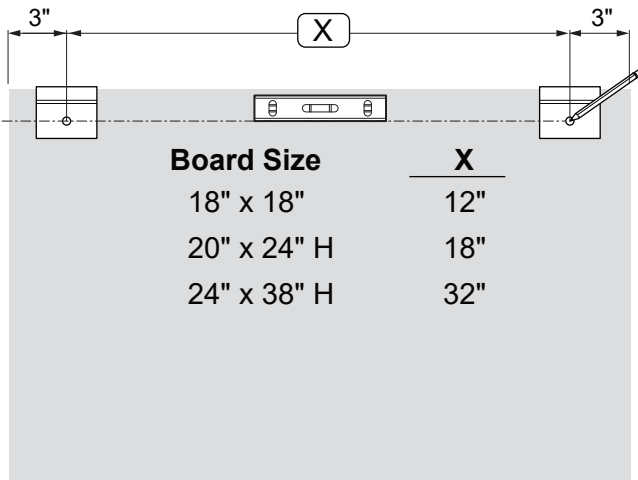


Board Hardware

- A** Wall Bracket (2X)
- B** Anchor (2X)
- C** Screw (2X)
- D** Adhesive Pad (2X)
- E** Rubber Band (1X)



1 Position wall mounting brackets (2X)



Board hangs (H) horizontally or (V) vertically

2 Hang board.

