

WARRANTY

DO NOT RETURN YOUR PRODUCT TO THE STORE. PLEASE CONTACT BABY TREND FOR REPLACEMENT PARTS, SERVICE AND REPAIR.

The Baby Trend® warranty covers workmanship defects within the first 180 days of purchase.

Any product which has been subjected to misuse, abuse, abnormal use, excessive wear and tear, improper assembly, negligence, environmental exposure, alteration or accident, or has had its serial number altered or removed invalidates all claims against the manufacturer.

Any damage to property during installation is the sole responsibility of the end user. The Customer Service Department can be contacted at 1 (800) 328-7363 Monday through Friday between 8:00am and 4:30 pm (PST). Return Authorizations are required prior to returning product(s) to Baby Trend®. Warranty only valid in North America.

GARANTIA

NO DEVUELVA SU PRODUCTO A LA TIENDA. POR FAVOR CONTACTE A BABY TREND PARA PIEZAS DE REPUESTO, SERVICIO Y REPARACION.

La garantía de Baby Trend® cubre defectos de fábrica dentro de los primeros 180 días de la compra. Cualquier producto que haya sido sometido a uso indebido, abuso, uso anormal, desgaste excesivo, montaje incorrecto, negligencia, exposición ambiental, alteración o accidente, o que ha tenido su número de serie alterado o removido anula todos los reclamos contra el fabricante. Cualquier daño a la propiedad durante la instalación es de la exclusiva responsabilidad del usuario final. El Departamento de Servicio al Cliente puede ser contactado a 1 (800) 328-7363 Lunes a viernes entre 8:00 am y 4:30 pm (PST). Un número de autorización es requerido antes de la devolución de los producto(s) a Baby Trend®.

Garantía válida sólo en América del Norte.

GARANTIE

NE PAS RETOURNER VOTRE PRODUIT AU MAGASIN. VEUILLEZ CONTACTER BABY TREND POUR DES PIÈCES DE RECHANGE, ENTRETIEN ET RÉPARATION.

La garantie Baby Trend® couvre les vices de fabrication dans les 180 jours suivant l'achat du produit. Tout produit qui a été soumis à un usage abusif, une utilisation anormale, une usure excessive, un montage incorrect, de la négligence, de l'exposition environnementale, de la modification ou un accident, ou a eu son numéro de série modifié ou supprimé annule toutes les réclamations contre le fabricant. Tout dommage à la propriété lors de l'installation est de la seule responsabilité de l'utilisateur final. Le service client peut être contacté au 1 (800) 328-7363 du lundi au vendredi 8 h – 16 h 30 (PST). Une autorisation sera nécessaire avant de retourner le produit à Baby Trend®. Garantie valable uniquement en Amérique du Nord.

Read all instructions BEFORE assembly and USE of product.
KEEP INSTRUCTIONS FOR FUTURE USE.

Lea todas las instrucciones ANTES de armar y USAR el producto.
CONSERVE LAS INSTRUCCIONES PARA USO FUTURO.

Lisez toutes les instructions du manuel AVANT l'assemblage
ou L'UTILISATION de ce produit. CONSERVEZ CES
INSTRUCTIONS POUR RÉFÉRENCE ULTÉRIEURE.



TS86C
1st Debut 3 Wheel Travel System
Instruction Manual
Manual de Instrucciones
Manuel d'instruction



www.babytrend.com

Baby Trend, Inc.
1607 S. Campus Ave.,
Ontario, CA 91761

1-800-328-7363
(8:00am ~ 4:30pm PST)
www.babytrend.com



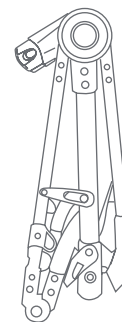
www.babytrend.com

English 2
 Parts 2
 Warning 3
 Assembly 5
 Safety 10
 Infant Car Seat 12
 Fold / Unfold 13
 Information 14

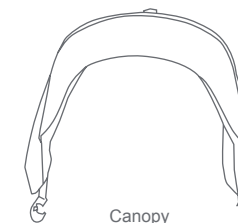
Espanol 15
 Piezas 15
 Advertencia 16
 Asamblea 18
 Seguridad 23
 Sillita Para El Automóvil 25
 Plegar / Desplegar 26
 Información 23

Français 28
 Pièces 28
 Avertissement 29
 Assemblage 31
 Sécurité 36
 Siège d'auto 38
 Plier / Déplier 39
 Informations 41

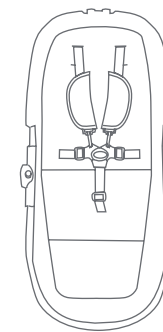
CHECK THAT YOU HAVE ALL THE PARTS FOR THIS MODEL BEFORE ASSEMBLING THE STROLLER.



Stroller



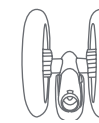
Canopy



Seat



***Child's tray



Front Wheel*



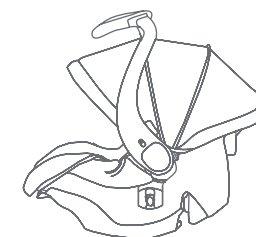
Bumper Bar



Rear Wheels*



Soft Parent Organizer



Infant Car Seat**



Base**


*Type may vary

** Please refer to the manual located under the car seat for base type and instructions


*** Type and quantity may vary / May or may not be included

Copyright © 2017, Baby Trend Inc., All Rights Reserved. Todos los derechos reservados. Tous droits réservés.

 **WARNING:** Please follow all of these instructions to ensure the safety of your child. Keep these instructions for future reference.

 **WARNING:** Failure to follow these instructions could result in serious injury or death. Avoid serious injury from falling or sliding out, always use the safety harness and ensure that the children are properly positioned according to these instructions.

 **WARNING:** Never leave children unattended.

 **WARNING:** Wheel can detach and cause tip over. Pull on the wheel to assure it is securely attached.

 **WARNING:** Care must be taken when folding and unfolding the stroller to prevent finger entrapment.

- **ONLY** approved Snap Tech™ products can be used on the frame.
- Purses, shopping bags, parcels, diaper bags or accessory items may change the balance of the stroller and cause a hazardous, unstable condition.
- The maximum weight that can be carried in the basket is 5 lbs (2.26 kg), child tray is 1 lb (0.45 kg) and parent organizer is 3 lbs (1.36 kg). Excessive weight may cause a hazardous unstable condition to exist.
- Be certain the stroller is completely opened and locked in place before allowing a child near the stroller.
- Use of the stroller with a total weight more than 50lbs (22.67 kg) will cause excessive wear and stress on the stroller and may cause a hazardous unstable condition to exist.
- **NEVER** use the stroller on stairways or escalators.
- **NEVER** use the stroller with roller skates, in-line skates, skateboards or bicycles.

- **NEVER** allow your stroller to be used as a toy.
- To clean use only mild household soap or detergent and warm water on a sponge or clean cloth.
- Check your stroller for loose screws, worn parts, torn material or stitching on a regular basis. Replace or repair parts as needed.
- Discontinue use of stroller should it malfunction or become damaged. Please contact our customer service department to arrange for repair or obtain replacement parts.

IMPORTANT! To ensure safe operation of your stroller, please follow these instructions carefully. Please keep these instructions for future reference.

IMPORTANT! Before assembly and each use, inspect this product for damaged hardware, loose joints, missing parts or sharp edges. **NEVER** use if any parts are missing or broken.

IMPORTANT! Adult assembly is required.

Remove stroller from box. The front wheel and rear wheels **MUST** be installed prior to use.

FRONT WHEEL

To attach the front wheel, unfold stroller as described in the section following:

- 1) • Unlock the release lever (Fig. 1a) and unfold stroller frame by pulling upward on the stroller handle until the frame locks (Fig. 1b).

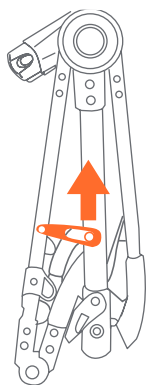


Fig. 1a

- Lean the stroller backwards so that the front wheel post is pointing upward. Push the front wheel assembly onto the front wheel post until locked into place. Skip to the next step if this part has already been assembled (Fig. 1c).
NOTE: Pull on the wheel assembly to ensure that it is securely attached to the stroller.

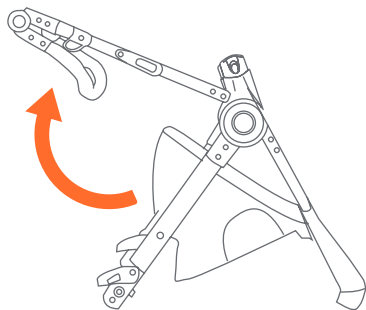


Fig. 1b

REAR WHEELS

- 2) • Lean the stroller forward to rest on the front wheels.
 - Press the rear wheel posts into the rear frame hub until it clicks into place (Fig. 2).
NOTE: Pull on the rear wheel to ensure that it is securely attached to the stroller.

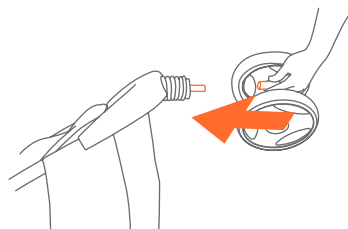


Fig. 1c

NOTE: NEVER use stroller if wheels do not lock into place. If you need assistance, please contact our customer service department at 1-800-328-7363, Monday-Friday, between 8:00 am and 4:30pm, PST.

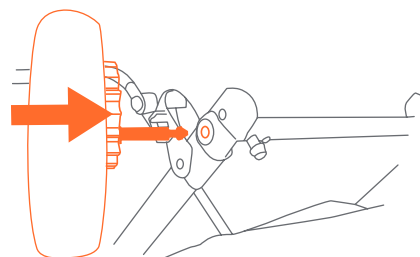


Fig. 2

MULTI-POSITION HANDLE

- 3) • To adjust the handle, press the release buttons to move the handle up or down to a comfortable position for the user (Fig. 3).

NOTE: Make sure the handle clicks into place before using.

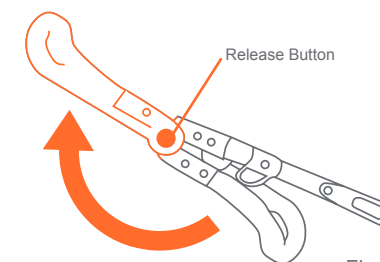


Fig. 3

BUMPER BAR

⚠ WARNING FALL HAZARD: Bumper bar is not designed to be used to as a carry handle or support a car seat, stroller may become unstable.

⚠ WARNING: The bumper bar is not designed to hold the child in the seat. The child should be secured in the seat at all times by the 5-point restraining system.

- 4) • Attach the bumper bar by lining up anchors with the slots on the seat. Push until it clicks into place (Fig. 4a).
NOTE: The bumper bar must be securely attached before using this product.

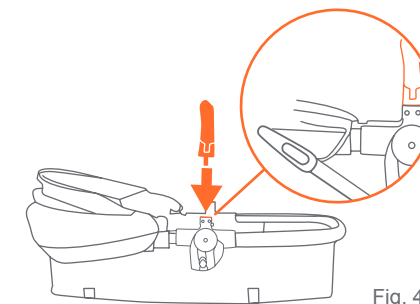


Fig. 4a

- To detach bumper bar, press the release button on the bottom of the bar and pull bar out of the anchor. Swing the bar upwards to access the seat (Fig. 4b).

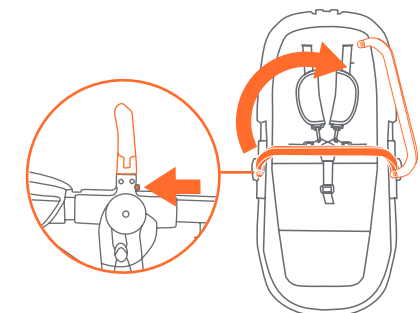
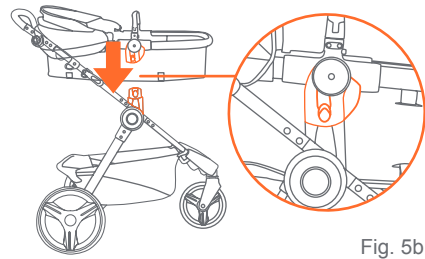
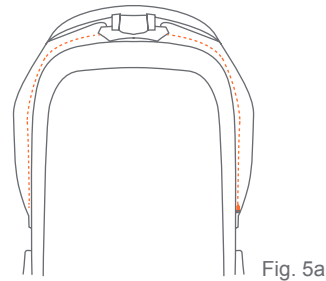


Fig. 4b

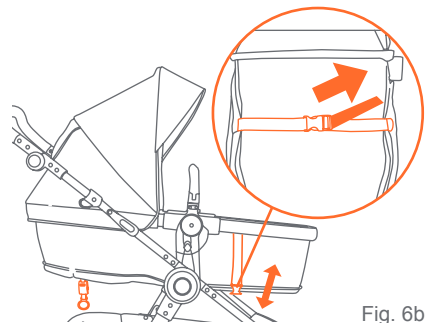
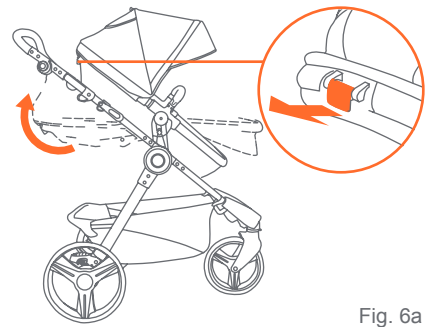
ATTACHING THE SEAT

- 5) • Make sure the seat fabric is properly attached to the seat support bar. If the seat fabric is unzipped, wrap the seat fabric around the seat support bar (Fig. 5a) and zip the fabric closed.
- Attach the seat by lining up the seat anchors on the side of the seat with the anchors on the stroller frame and push them together until they click securely (Fig. 5b). The seat can face in either direction, front or backwards.

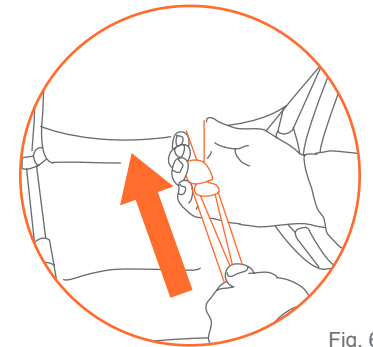
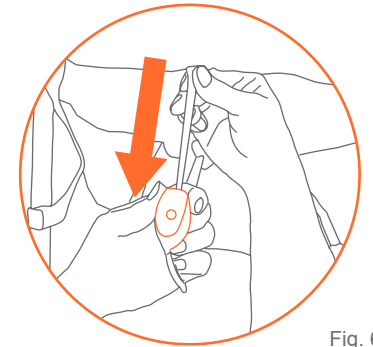


TO ADJUST SEAT

- 6) • The seat can be adjusted into upright, reclined, and carriage positions. Pull the recline button on the rear of the seat and rotate the seat into the desired position (Fig. 6a).
- **Upright and Reclined Position:** Buckle the footrest straps on the rear of the seat. Pull the excess straps to tighten the seat (Fig. 6b).

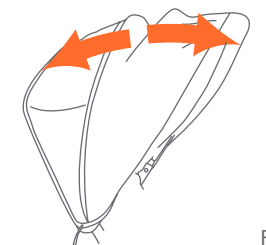
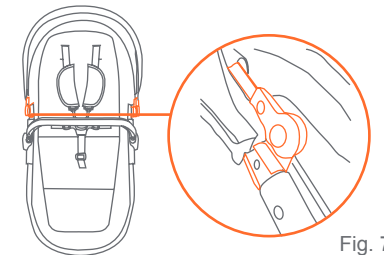


- To recline the seat, loosen the head strap through the buckle and adjust to the required recline position (Fig. 6c).
- To place the seat back in a more upright position, press upward on the seat back with one hand while pulling the head strap through the buckle with the other (Fig. 6d). The strap will lock automatically.
The upright position should be used only for a child that is at least 6 months old. Always re-adjust the safety harness, including the shoulder belts, when repositioning the seatback.
- **Carriage Position:** Make sure both footrest and headrest straps are loosened and extend the seat surround fully (Fig. 6b).



REMOVABLE CANOPY

- 7) • **To attach the removable canopy:** Snap the canopy clips on the inside of the toddler seat tubes (Fig. 7a).
- **To open the canopy:** push forward on the front edge of the canopy while holding the rear of canopy in place (Fig. 7b).
- **To fold the canopy:** pull backwards on the front edge (Fig. 7b).



SOFT PARENT ORGANIZER

⚠ WARNING: Do not place hot liquids or more than 3 pounds in the parent tray. Serious burns or unstable conditions could result.

- 8) • **Strap In The Soft Parent Organizer:** Use the hook and loop to hang the soft parent organizer onto the stroller handle, step 1-3 (Fig. 8). **BE SURE TO FASTEN TIGHTLY.**

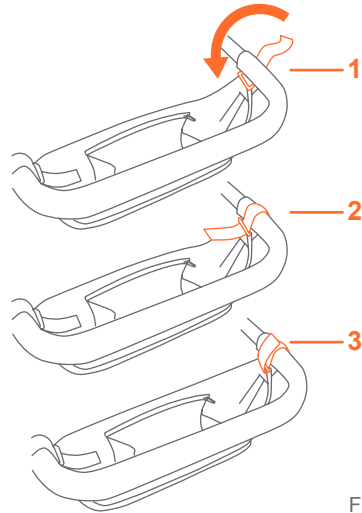


Fig. 8

CHILD TRAY (if equipped)

⚠ WARNING: Do not place hot liquids or more than 1 pounds in the child's tray. Serious burns or unstable conditions could result.

⚠ WARNING: Care must be taken when attaching and removing the child's tray to prevent finger entrapment.

- 9) • **To attach child's tray:** the child's tray has three positions, align the child's tray to one of the positions and push down onto the bumper bar (Fig. 9a). Push until firmly in place.

NOTE: Make sure the child's tray locks in one of the three positions before using.

- **To remove child's tray:** push the child's tray tab outward and pull up (Fig. 9b).

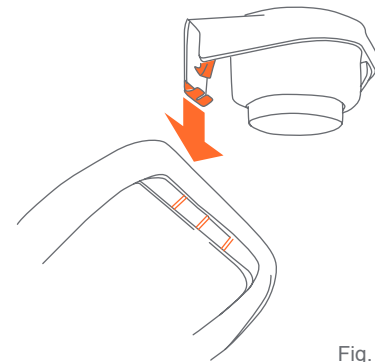


Fig. 9a

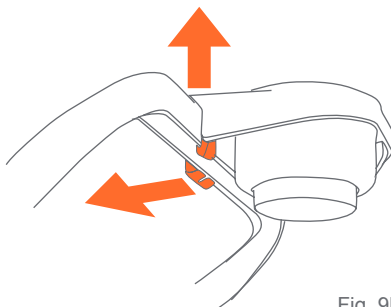


Fig. 9b

BRAKES

⚠ WARNING: Always set brakes when the stroller is not being pushed so that the stroller will not roll away. **NEVER** leave stroller unattended on a hill or incline as the stroller may slide down the hill.

- 10) • To engage brakes, apply downward pressure to the brake levers located on the rear axle. The stroller may require forward or rearward movement in order to engage the brake (Fig. 10).

Note: Check that the stroller will not move once the brakes are properly applied.

- To release, gently lift up on the brake levers.

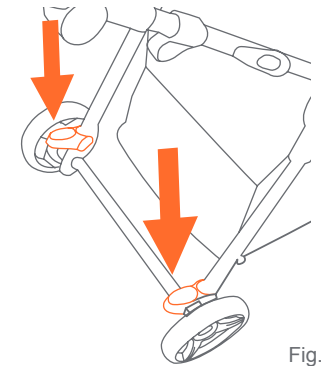


Fig. 10

FRONT WHEEL LOCK (if equipped)

- 11) • The front wheel is equipped with a swivel locking device. Push the button on each wheel upwards to engage the locks and push downward to disengage the locking device (Fig. 11).

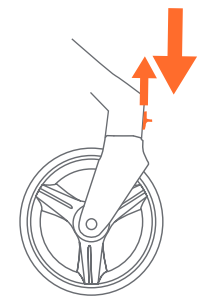


Fig. 11

TO SECURE THE CHILD

⚠ WARNING: Avoid serious injury from falling or sliding out. Always use the safety harness.

⚠ STRANGULATION HAZARD: Child can strangle in loose straps. Never leave child in seat when straps are loose or undone

12) • The shoulder straps of the 5-point harness have 3 adjustable positions. Select the position that places the shoulder strap level with, or below, the top of the child's shoulder (Fig. 12a).

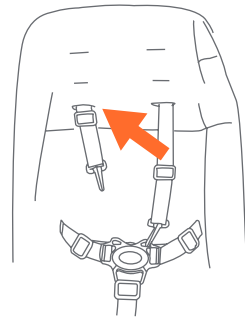


Fig. 12a

- To adjust harness height unhook the shoulder strap from the crotch buckle. Feed the shoulder strap through the harness spread slots. You can access these slots from the rear of the seat, underneath the fabric. Feed shoulder strap through appropriate slot and reattach shoulder strap to crotch buckle.

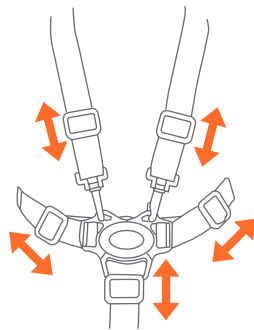


Fig. 12b

- Carefully place the child in the stroller seat and bring the safety harness around the child's waist and over the shoulders. Place the crotch strap between the child's legs. Insert the male end of each shoulder/waist belt into the buckle on the crotch strap. Tighten the harness to be snug around the child's waist and over the child's shoulders (Fig. 12b).

13) • Push button on center clasp, the two harness buckles will pop free (Fig. 13a).

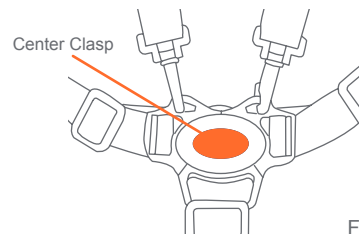


Fig. 13

INFANT CAR SEAT ATTACHMENT

⚠ WARNING: Avoid serious injury from falling or sliding out, always use the Infant Car Seat harness.

ONLY approved Snap Tech™ products can be used on the frame.

14) • Attach the car seat by facing the car seat towards the stroller handle and lining up the seat anchors on the side of the car seat with the anchors on the stroller frame and push them together until they lock securely (Fig. 14).

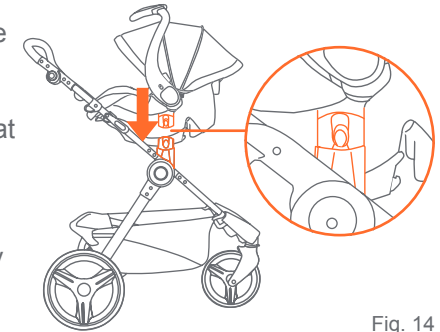


Fig. 14

TO REMOVE SEAT/INFANT CAR SEAT

15) • To take off the seat or the infant car seat, pull up on both the release levers and pull seat or car seat upwards (Fig. 15).

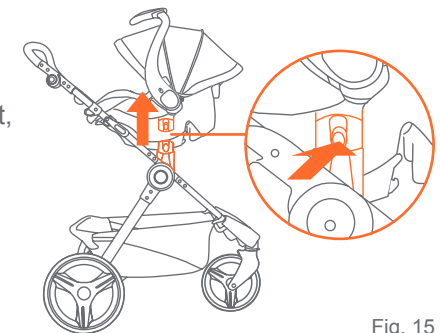


Fig. 15

TO FOLD STROLLER

⚠ WARNING: Care must be taken when folding and unfolding the stroller to prevent finger entrapment.

CAUTION: Do not allow children near stroller while folding.

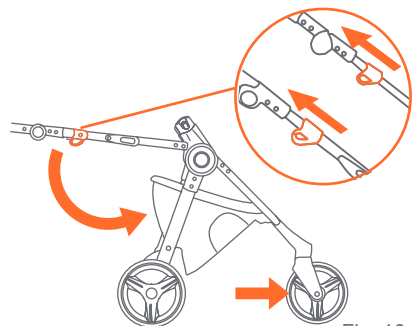


Fig. 16a

- 16)** • Pull the stroller backwards several inches to adjust the front wheels to the front. Fold the stroller by pulling both release triggers (Fig. 16a) and push handle towards the floor. Make sure the front wheels lie flat, then secure the stroller in the folded position by locking the fold latch, located on the right side of the stroller, over the rivet (Fig. 16b).
NOTE: Remove all articles from the basket before folding.

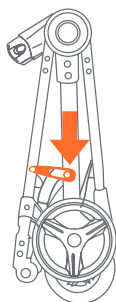


Fig. 16b

TO UNFOLD STROLLER

CAUTION: Do not allow children near stroller while unfolding.

- 17)** • Unlock the release lever (Fig. 17a) and unfold stroller frame by pulling upward on the stroller handle until the frame locks (Fig. 17b).

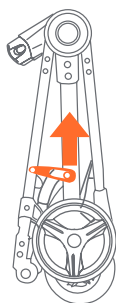


Fig. 17a

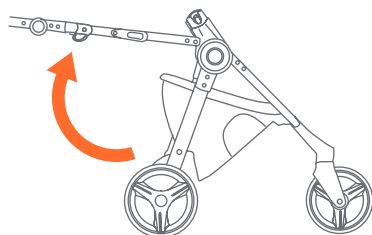


Fig. 17b

CARE AND MAINTENANCE

SEAT PAD

- To clean the seat pad, use only mild household soap or detergent and warm water on a sponge or clean cloth.

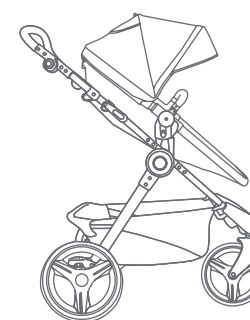
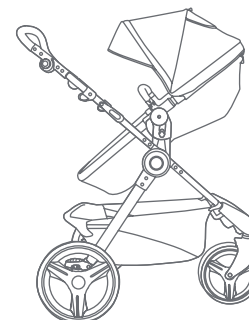
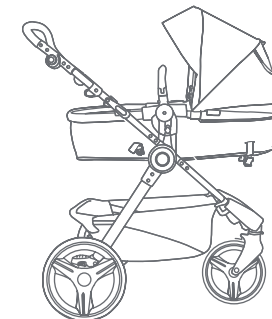
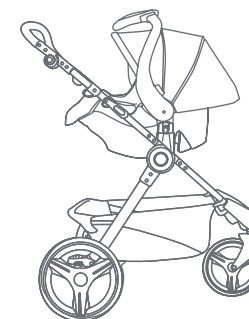
NOTE: DO NOT machine wash.

OTHER

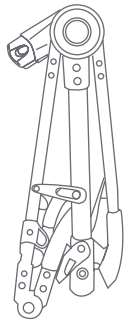
- Check your stroller for loose screws, worn parts, torn material or stitching on a regular basis. Replace or repair parts as needed.

RIDING POSITIONS

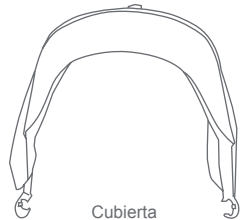
⚠ WARNING FALL HAZARD: Bumper bar is not designed to support a car seat, stroller may become unstable.



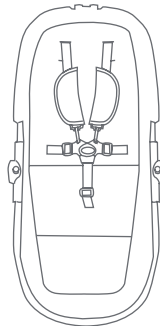
Verifique que tenga todas las piezas para este modelo antes de montar el carrito.



Carrito



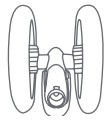
Cubierta



Sillita



Bandeja para niños



Rueda Delantera*



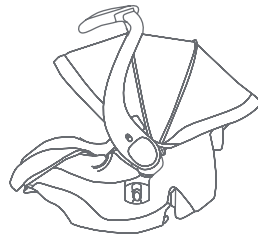
Barra Frontal



Ruedas Traseras*



Organizador flexible para padres



Sillita para el automóvil **



Base**

* El tipo puede variar

** Por favor, consulte el manual ubicado debajo de la sillita para el automóvil para conocer el tipo de base y las instrucciones

*** Tipo y la cantidad puede variar / Puede no ser incluido

Copyright © 2017, Baby Trend Inc., All Rights Reserved. Todos los derechos reservados. Tous droits réservés.

⚠️ **ADVERTENCIA:** Por favor, siga todas estas instrucciones para garantizar la seguridad de su hijo. Conserve estas instrucciones para referencia futura.

⚠️ **ADVERTENCIA:** El incumplimiento de estas instrucciones podría ocasionar una lesión grave o la muerte. Evite lesiones graves por caídas o resbalones. Siempre use el arnés de seguridad y asegúrese de que los niños estén ubicados correctamente de acuerdo a estas instrucciones.

⚠️ **ADVERTENCIA:** Nunca pierda de vista a los niños.

⚠️ **ADVERTENCIA:** La rueda puede desprenderse y provocar un vuelco. Tire de la rueda para asegurarse de que esté bien sujeta.

⚠️ **ADVERTENCIA:** Se debe ser prudente al plegar y desplegar el carrito para evitar que queden dedos atrapados.

- Aprobado **SOLAMENTE** Snap Tech™ productos pueden ser utilizados en el almacén.
- Los bolsos, bolsas de compras, paquetes, bolsas de pañales o artículos accesorios podrían cambiar el equilibrio del carrito y una condición de inestabilidad peligrosa.
- El peso máximo que se puede llevar es de 5 libras (2.26 kg) en la canasta y en la bandeja para niños 1 libras (0.45 kg) y 3 libras (1.36 kg) en la bandeja para padres. El exceso de peso podría ocasionar una inestabilidad peligrosa.
- Procure que el carrito esté completamente abierto y bien trabado antes de permitir que un niño se acerque al mismo.

- El uso del carrito con un peso total superior de 50 libras (22.67 kg) causará un desgaste y tensión excesivos en el carrito y podría provocar una inestabilidad peligrosa.
- **NUNCA** use el carrito en escaleras mecánicas o comunes.
- **NUNCA** use el carrito con patines de ruedas, patines en línea, monopatines o bicicletas.
- **NUNCA** permita el uso de su carrito como un juguete.
- Para limpiarlo, use solamente jabón doméstico o detergente suaves y agua tibia en una esponja o trapo limpio.
- Verifique con frecuencia que su carrito no tenga tornillos sueltos, piezas gastadas, materiales o costuras rasgados. Reemplace o repare las piezas conforme sea necesario.
- Deje de usar el carrito si presenta fallas o daños. Por favor, comuníquese con nuestro departamento de servicio al cliente para gestionar la reparación u obtención de piezas de reemplazo.

¡IMPORTANTE! Para asegurar el funcionamiento seguro de su carrito, siga estas instrucciones cuidadosamente. Por favor, conserve estas instrucciones para referencia futura.

¡IMPORTANTE! Antes del montaje y de cada uso, inspeccione el producto para detectar daños en el equipo, uniones sueltas, piezas faltantes o bordes filosos. **NUNCA** use el carrito con piezas faltantes o rotas.

¡IMPORTANTE! Se requiere el montaje por parte de un adulto.

Retire el carrito de la caja. Antes del uso **SE DEBEN** instalar las ruedas delanteras, las ruedas traseras.

RUEDAS DELANTERAS

Para colocar las Ruedas Delanteras, despliegue el carrito como se describe en la siguiente sección:

- 1) • Destrahe la palanca de liberación (Fig. 1a). Despliegue el armazón del cochecito tirando hacia arriba del manubrio (Fig. 1b). La barra se trabará cuando las patas estén completamente extendidas.

- Incline el carrito hacia atrás de modo que los postes de la rueda delantera apunten hacia arriba. Empuje cada montaje de la rueda delantera dentro de los postes de la rueda delantera hasta que encajen (Fig. 1c). **NOTA:** tire del montaje de la rueda para cerciorarse de que esté sujeto de manera segura al carrito.

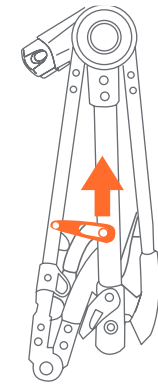


Fig. 1a

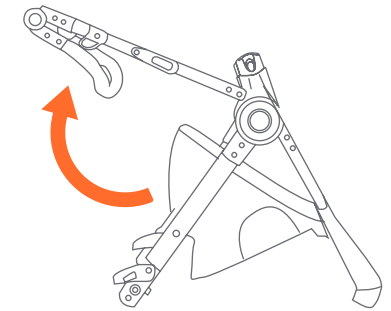


Fig. 1b

RUEDAS TRASERAS

- 2) • Incline el carrito hacia delante de modo que se apoye en las ruedas delanteras.

- Presione los postes de la rueda trasera dentro de los cubos del armazón trasero hasta que encajen. Continúe al siguiente paso si esta parte ya está ensamblada (Fig. 2).

NOTA: tire de la rueda trasera para cerciorarse de que está sujeta de manera segura al carrito.

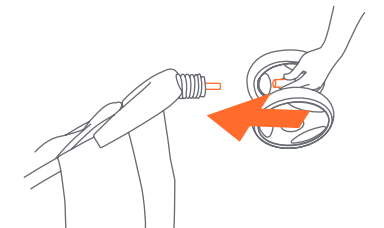


Fig. 1c

NOTA: **NUNCA** use el carrito si las ruedas no se traban correctamente. Si necesita ayuda, comuníquese con nuestro departamento de servicio al cliente al 1-800-328-7363, de lunes a viernes, en el horario de 8:00 a.m. a 4:30 p.m., Hora Estándar del Pacífico.

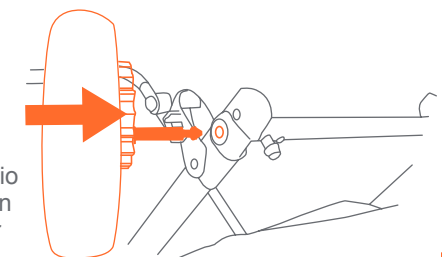


Fig. 2

MANIJA AJUSTABLE

- 3) • Para ajustarla la manija, apriete los dos botones de Liberación a la misma vez para ajustar a un nivel cómodo (Fig. 3).

NOTA: asegúrese de que el manubrio se ajuste bien antes de usarlo.

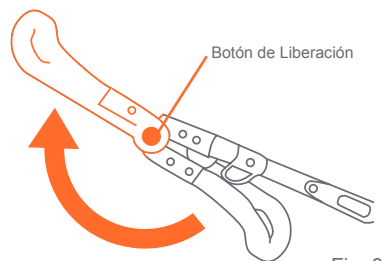


Fig. 3

LA BARRA FRONTAL

⚠️ ADVERTENCIA DE PELIGRO DE CAÍDA:

La barra parachoques no fue diseñada para ser usada como una manija de traslado ni para cargar una sillita para el automóvil, ya que el carrito podría perder estabilidad.

⚠️ ADVERTENCIA: La barra parachoques no fue diseñada para sostener al niño en el asiento. El niño debe estar sujeto al asiento en todo momento con el sistema de restricción de 5 puntos.

- 4) • Coloque la barra frontal alineando los anclajes con las ranuras de la sillita. Empuje hasta que encaje (Fig. 4a).

NOTA: la barra frontal debe estar sujeta de manera segura antes de poder usar el producto.

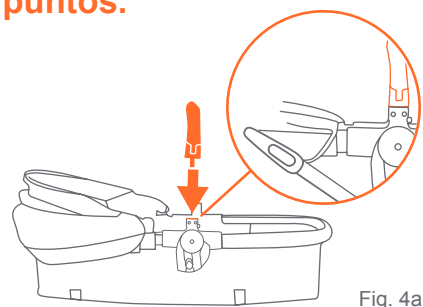


Fig. 4a

- Para sacar la barra frontal, presione el botón de liberación que está en la parte inferior de la barra y sáquela del ancla. Mueva la barra hacia arriba para tener acceso a la sillita (Fig. 4b).

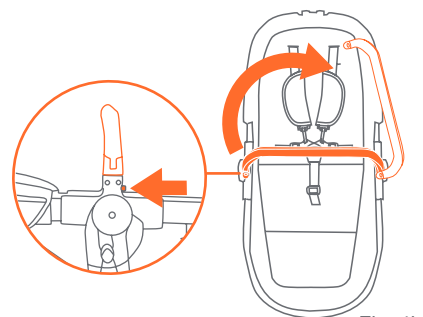


Fig. 4b

CÓMO ENCAJAR LA SILLITA

- 5) • Asegúrese de que la tela de la sillita esté sujeta al soporte para la sillita. Si la tela de la sillita trae el zíper abierto, envuelva la tela de la sillita por el soporte de la sillita (Fig. 5a) y cierre el zíper de la tela.

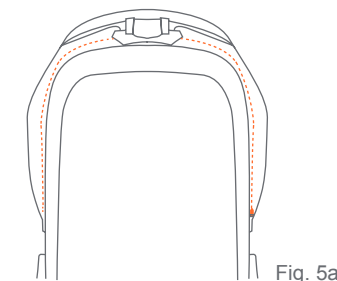


Fig. 5a

- Instale la sillita alineando las anclas que están a los lados de la sillita con las anclas del armazón del carrito y empújelas hasta que se encajen de forma segura (Fig. 5b). La sillita puede quedar mirando hacia cualquiera de las direcciones, ya sea hacia adelante o hacia atrás.

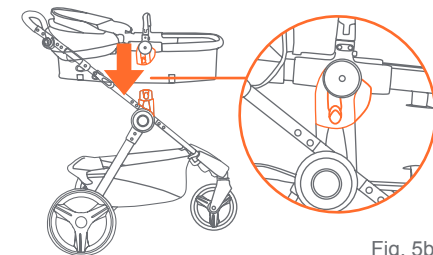


Fig. 5b

PARA AJUSTAR EL ASIENTO

- 6) • El asiento se puede ajustar en las posiciones erguida, reclinada y cochecito de bebé. Tire del botón de inclinación en la parte trasera del asiento y gire el asiento en la posición deseada (Fig. 6a).

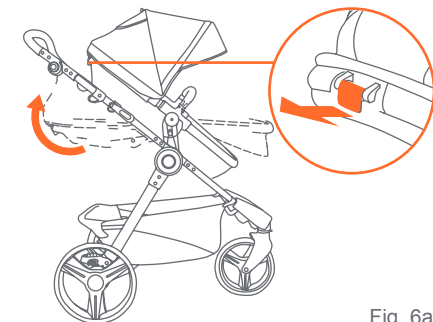


Fig. 6a

- **Posición erguida y reclinada:** Abroche las correas del apoyapiés en la parte trasera del asiento. Tire de las correas excedentes para ajustar el asiento (Fig. 6b).

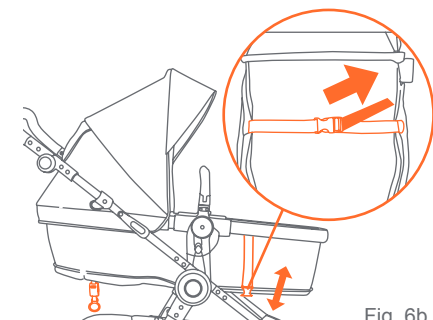


Fig. 6b

- Para reclinar el asiento, suelte la correa por la apoyacabeza hebilla y ajústela hasta lograr la posición de inclinación necesaria (Fig. 6c).

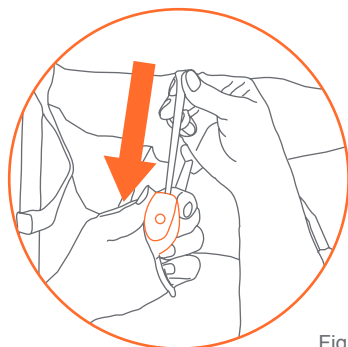


Fig. 6c

- Para colocar el respaldo en una posición más erguida, empújelo hacia arriba con una mano mientras tira de la correa por la hebilla con la otra (Fig. 6d). La correa se trabará automáticamente.

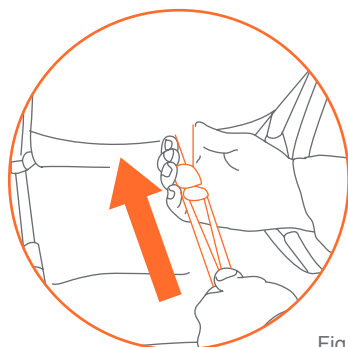


Fig. 6d

La posición erguida se debe usar únicamente para un niño de al menos 6 meses. Al reposicionar el respaldo, siempre vuelva a ajustar el arnés de seguridad, incluyendo los cinturones del hombro.

- **Cochechito de bebé:** Asegúrese de que tanto las correas del apoyapiés como del apoyacabeza estén sueltas y extienda por completo el marco del asiento (Fig. 6b).

CUBIERTA REMOVIBLE

7) • Para añadir la cubierta removible: ajuste los ganchos de sujeción dentro de los tubos de la sillita para niños pequeños (Fig. 7a).

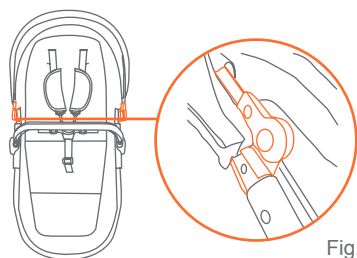


Fig. 7a

- **Para abrir la cubierta:** empuje hacia delante el borde delantero de la cubierta mientras sostiene la parte trasera de la misma en su sitio (Fig. 7b).

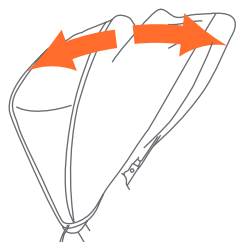


Fig. 7b

- **Para plegar la cubierta:** empuje hacia atrás el borde delantero (Fig. 7b).

ORGANIZADOR FLEXIBLE PARA PADRES

⚠ ADVERTENCIA:
No coloque líquidos calientes ni más de 3 libras sobre la bandeja para padres, ya que podría causar quemaduras graves o inestabilidad.

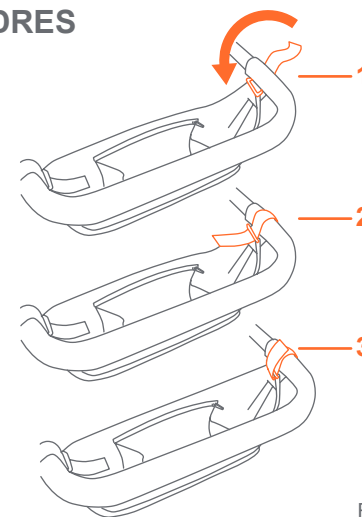


Fig. 8

8) • Ajuste El Organizador Flexible Para Padres: Utilice el gancho y la arandela para colgar el organizador flexible para padres en el mango del carrito, ilustraciones 1 - 3 (Fig. 8). **ASEGÚRESE DE AJUSTARLO FIRMEMENTE.**

BANDEJA PARA NIÑOS (si está incluida)

⚠ ADVERTENCIA:
No coloque líquidos calientes ni más de 1 libra sobre la bandeja para niños, ya que podría causar quemaduras graves o inestabilidad.

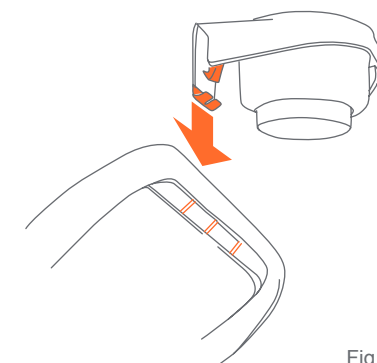


Fig. 9a

⚠ ADVERTENCIA:
Se debe ser prudente al sujetar y retirar la bandeja para niños para evitar que queden dedos atrapados.

9) • Para colocar la bandeja para niños: la bandeja para niños tiene tres posiciones; alinee la bandeja para niños con una de las posiciones y empuje hacia abajo la barra parachoques (Fig. 9a). Empuje hasta que quede firme en el lugar.
NOTA: Asegúrese de que la bandeja para niños se trabe en una de las tres posiciones antes de usarla.

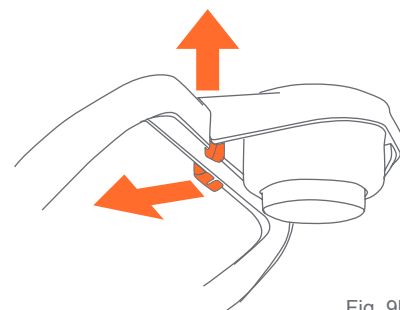


Fig. 9b

- Para retirar la bandeja para niños: empuje la lengüeta de la bandeja para niños hacia fuera y tire hacia arriba (Fig. 9b).

FRENOS

⚠️ ADVERTENCIA: Siempre aplique los frenos cuando el carrito no esté siendo empujado, para impedir que ruede fuera de su alcance. Nunca deje el carrito desatendido en una colina o pendiente, ya que podría deslizarse pendiente abajo.

10) • Para aplicar los frenos, ejerza presión hacia abajo a las palancas del freno situada en el eje trasero. El carrito podría requerir un movimiento hacia delante o hacia atrás para activar el freno (Fig. 10).

NOTA: Verifique que el carrito no se mueve una vez que los frenos estén aplicados correctamente.

• Para soltarlos, levante suavemente la palanca del freno.

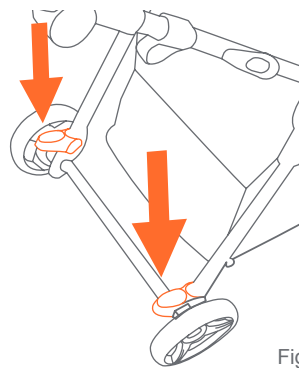


Fig. 10

BLOQUEO DE LAS RUEDA DELANTERAS (si está incluida)

11) • Las ruedas delanteras están equipadas con un mecanismo de bloqueo de giro. Empuje la palanca en cada rueda hacia arriba para enganchar el pestillo y empuje hacia abajo para desenganchar el mecanismo de bloqueo (Fig. 11).

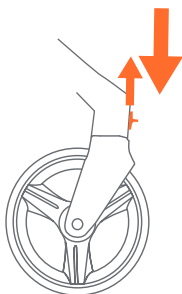


Fig. 11

PARA SUJETAR AL NIÑO

⚠️ ADVERTENCIA: Evite lesiones graves por caídas o resbalones. Siempre use el arnés de seguridad.

⚠️ PELIGRO DE ESTRANGULAMIENTO: El niño se puede estrangular con las correas sueltas. Nunca deje al niño en el asiento cuando las correas estén sueltas o sin terminar de colocar.

12) • Las correas del hombro del arnés de 5 puntos tienen 3 posiciones de sujeción. Elija la posición que sitúe a la correa del hombro al mismo nivel o a un nivel inferior a la parte superior del hombro del niño (Fig. 12a).

• Para ajustar la altura de arnés desenganche el cinturón del broche entrepiernas. Pase el cinturón a través de la ranura del arnés. Estas ranuras están localizadas en la parte posterior del asiento por debajo de la tela. Pase el cinturón a través de la ranura apropiada y enganche el cinturón al broche de entrepiernas.

• Coloque cuidadosamente al niño en el asiento del carrito y pase el arnés de seguridad por la cintura del niño y por encima de los hombros. Coloque la correa de la entrepierna entre las piernas del niño. Introduzca el extremo macho del cinturón de cada hombro o de la cintura en la hebilla de la correa de la entrepierna. Ajuste el arnés de modo que esté ceñido alrededor de la cintura del niño y por encima de sus hombros (Fig. 12b).

13) • Presione el botón en la presilla central para destrabar las dos hebillas del arnés (Fig. 13).

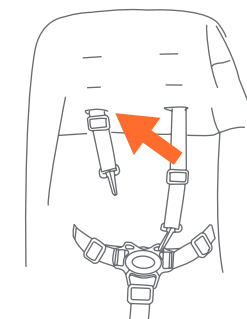


Fig. 12a

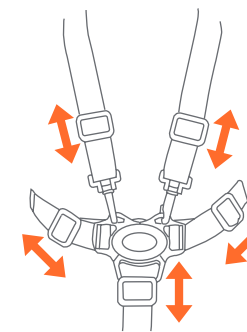


Fig. 12b

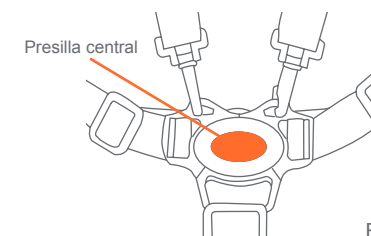


Fig. 13

ADJUNTO DE LA SILLITA PARA EL AUTOMÓVIL

⚠️ ADVERTENCIA:
Evite una lesión grave por caídas o resbalones, siempre use el arnés de la Sillita para el automóvil.

Aprobado **SOLAMENTE** Snap Tech™ productos pueden ser utilizados en el armazón.

- 14)** • Coloque la sillita para el automóvil apuntando la sillita hacia el manubrio del carrito y alineando los anclajes del asiento que están al costado de la sillita con los anclajes del armazón del carrito y presionándolos hasta que se traben correctamente (Fig. 14).

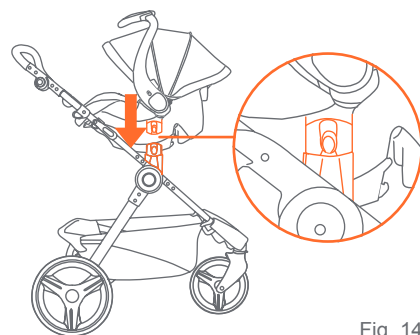


Fig. 14

PARA QUITAR EL ASIENTO/ ASIENTO INFANTIL

- 15)** • Para sacar el asiento o el asiento infantil, jale hacia arriba a las dos palancas de liberación y jale el asiento o el asiento infantil hacia arriba (Fig. 15).

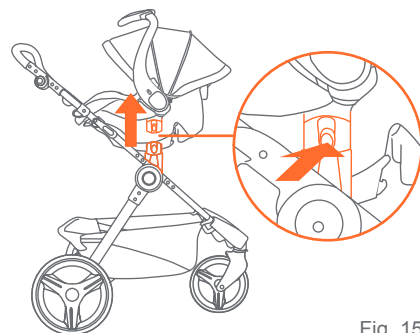


Fig. 15

PARA PLEGAR EL CARRITO

⚠️ ADVERTENCIA:
Se debe ser prudente al plegar el carrito para evitar que queden dedos atrapados.

PRECAUCIÓN:
No permita que los niños se acerquen al carrito mientras lo pliega.

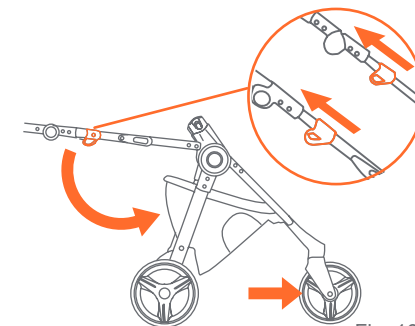


Fig. 16a

- 16)** • Tire del carrito hacia atrás varias pulgadas para ajustar las ruedas delanteras hacia el frente. Pliegue el carrito tirando de ambos gatillos de liberación (Fig. 16a) y empuje el manubrio hacia el suelo. Asegúrese de que las ruedas delanteras estén extendidas, y luego fije el carrito en la posición plegada trabando el pestillo de pliegue ubicado en el lado derecho del carrito, por encima del remache (Fig. 16b).

NOTA: Retire todos los artículos de la canasta antes de plegarla

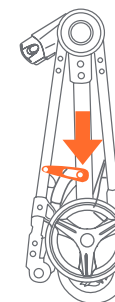


Fig. 16b

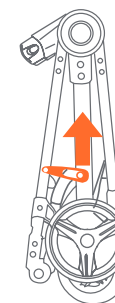


Fig. 17a

PARA DESPLEGAR EL CARRITO

PRECAUCIÓN:
No permita que los niños se acerquen al carrito mientras lo despliega.

- 17)** • Destrabe la palanca de liberación (Fig. 17a). Despliegue el armazón del cochecito tirando hacia arriba del manubrio (Fig. 17b). La barra se trabará cuando las patas estén completamente extendidas.

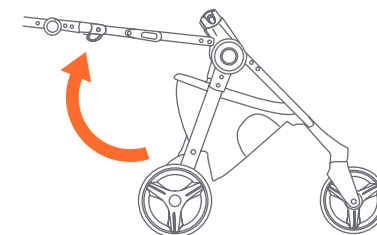


Fig. 17b

CUIDADO Y MANTENIMIENTO

ALMOHADILLA DEL ASIENTO

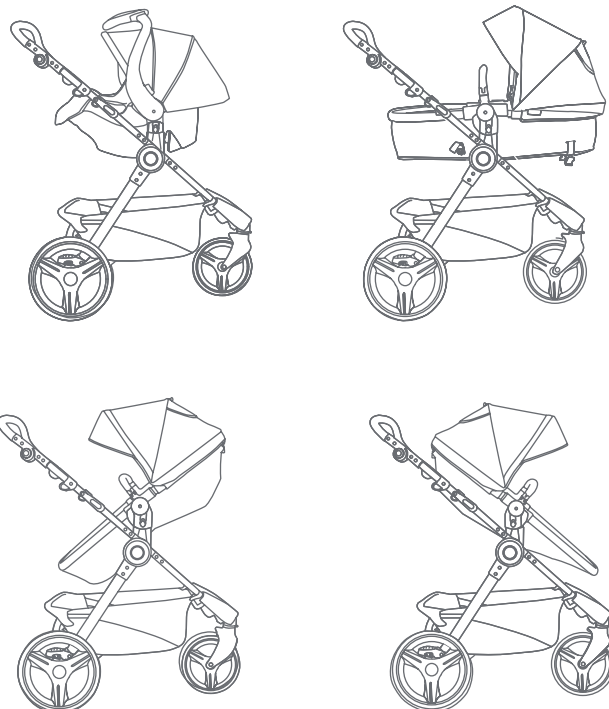
- Para limpiar la almohadilla del asiento, use solamente jabón doméstico o detergente suaves y agua tibia en una esponja o trapo limpio.

OTROS

- Verifique con frecuencia que su carrito no tenga tornillos sueltos, piezas gastadas, materiales o costuras rasgados. Reemplace o repare las piezas conforme sea necesario.

POSICIONES DIFERENTES PARA PASEAR

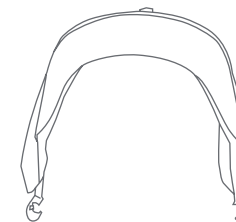
⚠ ADVERTENCIA DE PELIGRO DE CAÍDA: La barra parachoques no está diseñada para soportar una sillita de bebé para automóviles, el carrito podría volverse inestable.



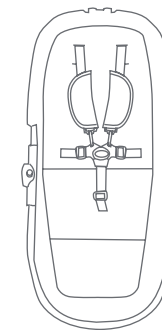
VÉRIFIEZ QUE VOUS AVEZ BIEN TOUTES LES PIÈCES POUR CE MODÈLE AVANT DE MONTER LA POUSETTE.



Poussette



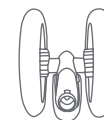
Auvent



Siège



Plateau pour enfant



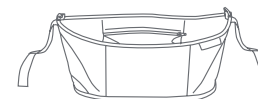
Roue Avant*



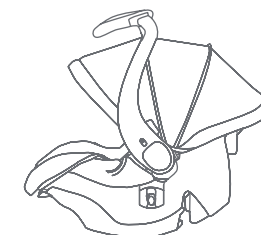
Barre de Pare-chocs



Roue Arrière*



Panier de rangement souple pour parents



Siège d'auto pour bébé**



Base**

* Peut varier selon le modèle

** Veuillez vous reporter au manuel situé sous le siège de voiture pour connaître le type de base et les instructions

*** Type et quantité peut varier selon le modèle / Peut ne pas être inclus

Copyright © 2017, Baby Trend Inc., All Rights Reserved. Todos los derechos reservados. Tous droits réservés.

⚠️ **AVERTISSEMENT** : Prière de suivre toutes ces instructions afin d'assurer la sécurité de votre enfant. Conserver ces instructions pour consultation future.

⚠️ **AVERTISSEMENT** : Négliger d'observer ces directives pourrait entraîner de sérieuses blessures ou même la mort. Afin d'éviter les blessures graves dues à une chute ou une glissade, toujours utiliser le harnais de sécurité et vous assurer que les enfants sont placés de façon appropriée, selon les présentes instructions.

⚠️ **AVERTISSEMENT** : Ne jamais laisser un enfant sans surveillance.

⚠️ **AVERTISSEMENT** : Les roues peuvent se détacher et provoquer un basculement. Tirez sur les roues afin de vous assurer qu'elles sont solidement fixées.

⚠️ **AVERTISSEMENT** : Faire attention à ne pas vous pincer les doigts en pliant et dépliant la poussette.

- Produits Snap Tech™ **SEULEMENT** approuvés peuvent être utilisés sur le cadre.
- Les sacs à main, sacs à provisions, colis, sacs à couches ou accessoires peuvent modifier l'équilibre de la poussette et causer des conditions instables et dangereuses.
- Le poids maximum qui peut être transporté dans le panier est 2,26 kg (5 livres) et sur le plateau parents est 1,36 kg (3 livres) et plateau enfant est 0,45 kg (1 livres). L'excès de poids peut affecter l'équilibre de la poussette et la rendre instable ou dangereuse.
- Assurez-vous que la poussette est entièrement déployée et bloquée en position stable avant de laisser votre enfant s'en approcher.
- L'utilisation de la poussette avec un poids total de plus de 50 lb (22,67 kg) soumettra la poussette à l'usure et des contraintes excessives, pouvant entraîner un état instable dangereux.
- N'utilisez **JAMAIS** la poussette dans des escaliers ou des ascenseurs.

- N'utilisez **JAMAIS** la poussette avec des patins à roulettes, des patins à roues alignées, une planche à roulettes ou une bicyclette.
- Ne laissez **JAMAIS** un enfant utiliser la poussette comme un jouet.
- Pour nettoyer utiliser uniquement un savon doux ou des détergents ménagers avec de l'eau chaude et une éponge ou un chiffon propre.
- Régulièrement vérifier votre poussette pour des vis desserrées, des pièces usées, du matériel usé ou une couture déchirée. Remplacer ou réparer les pièces.
- Cesser d'utiliser la poussette s'il y a un mauvais fonctionnement ou elle est endommagée. Veuillez contacter notre service à la clientèle Parts Hotline afin de prendre des dispositions pour la réparation ou le remplacement des pièces.

IMPORTANT ! Afin d'assurer l'utilisation sécuritaire de votre poussette suivre ces instructions soigneusement. Conservez ces instructions pour référence ultérieure.

IMPORTANT ! Avant chaque assemblage et utilisation, inspecter ce produit pour du matériel endommagé, les joints lâches, des pièces manquantes ou des rebords coupants. **NE JAMAIS** utiliser si des pièces sont manquantes ou brisées.

IMPORTANT ! L'assemblage par un adulte est nécessaire.

Retirez la poussette de l'emballage.
Les roues avant, les roues arrière pour adulte
DOIVENT être installés avant l'utilisation.

ROUES AVANT

Pour fixer Les Roues Avant, déployez la poussette tel que décrit dans la section suivante :

- 1) • Déverrouiller le levier de déverrouillage (Fig. 1a). Déplier cadre de la poussette en tirant la poignée (Fig. 1b). Le bar se verrouille lorsque les jambes le complètement tendues.

- Inclinez la poussette vers l'arrière de sorte que les tiges des roues avant pointent vers le haut. Poussez chacune des roues avant sur les tiges des roues avant jusqu'à ce qu'elle se mette en place avec un clic (Fig. 1c). **REMARQUE** : Tirez sur chacune des roues pour vous assurer qu'elle est bien fixée à la poussette.

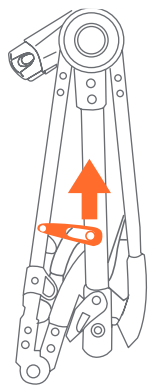


Fig. 1a

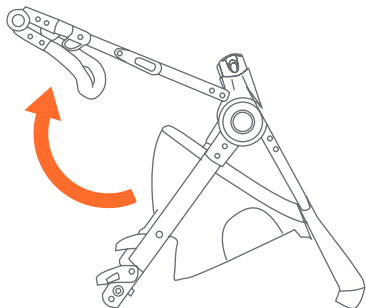


Fig. 1b

ROUES ARRIÈRE

- 2) • Inclinez la poussette vers l'avant pour qu'elle repose sur les roues avant.
- Insérez les tiges de roues arrière dans le moyeu du cadre arrière jusqu'à ce qu'elles se mettent en place avec un clic. Passez à la prochaine étape si cette pièce a déjà été assemblée (Fig. 2).

REMARQUE : Tirez sur la roue arrière pour vérifier qu'elle est bien fixée à la poussette. **REMARQUE** : NE JAMAIS utiliser la poussette si les roues ne bloquent pas en place. Pour obtenir une aide immédiate, veuillez téléphoner à notre service à la clientèle au 1-800-328-7363, entre 8 h 00 et 16 h 00 HNP, du lundi au vendredi.

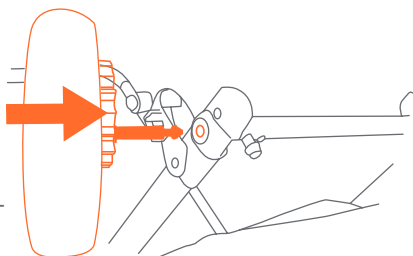


Fig. 2

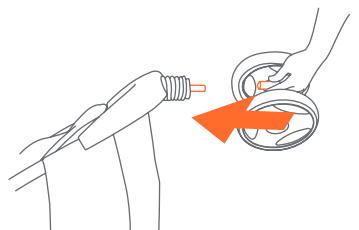


Fig. 1c

POIGNEE RÉGLABLE

- 3) • Pour ajuster la poignée, pressez sur les deux Bouton de Verrouillage déplacer la poignée jusqu'à une position confortable pour l'utilisateur (Fig. 3).
REMARQUE : Avant d'utiliser la poussette, assurez-vous que la poignée se mette en place avec un clic.

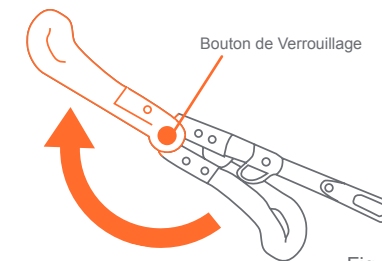


Fig. 3

POIGNÉE DE LA POUSSETTE

⚠ AVERTISSEMENT RISQUE DE CHUTE: La barre de pare-choc n'est pas conçue pour être utilisée comme poignée de transport ou pour supporter le poids d'un siège d'auto; la poussette pourrait devenir instable.

⚠ AVERTISSEMENT: La barre de caoutchouc n'est pas conçue pour retenir l'enfant dans la chaise. L'enfant doit être attaché dans la chaise par le système de retenue en cinq points en tout temps.

- 4) • Fixez la barre de pare-chocs en alignant les dispositifs d'ancrage avec les fentes sur le siège. Poussez-la jusqu'à ce qu'elle se mette en place avec un clic (Fig. 4a).
REMARQUE : Avant d'utiliser la poussette, la barre de pare-chocs doit être solidement fixée.

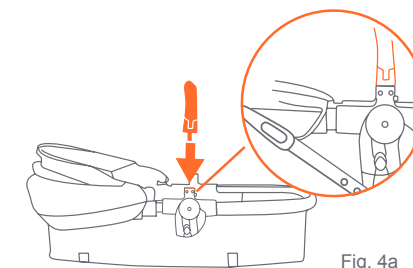


Fig. 4a

- Pour retirer la barre de pare-chocs, appuyez sur le bouton de verrouillage situé à la base de la barre et tirez sur la barre pour la sortir du dispositif d'ancrage. Faites basculer la barre vers le haut pour accéder au siège (Fig. 4b).

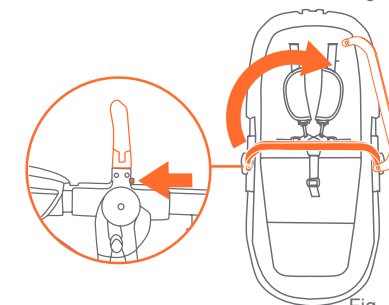


Fig. 4b

FIXATION DU SIÈGE

- 5) • Vérifiez que le tissu du siège est correctement fixé au support de siège. Si la fermeture à glissière du tissu de siège est ouverte, enroulez le tissu de siège autour du support de siège et fermez le tissu à l'aide de la fermeture à glissière (Fig. 5a).

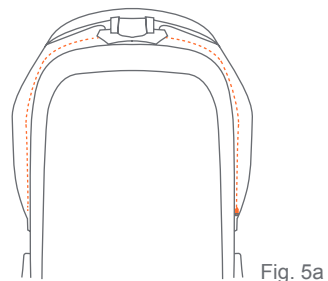


Fig. 5a

- Fixez le siège en alignant les dispositifs d'ancrage sur le côté du siège avec les dispositifs d'ancrage sur le cadre de la poussette et poussez-les ensemble jusqu'à ce qu'ils se mettent en place solidement avec un clic (Fig. 5b). Le siège d'auto peut être orienté vers l'avant ou vers l'arrière.

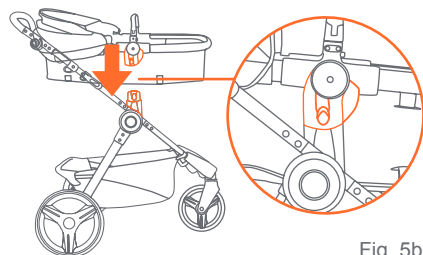


Fig. 5b

POUR AJUSTER LE SIÈGE

- 6) • Le siège peut être réglé en position verticale, inclinée et position landau. Tirez sur le bouton d'inclinaison situé à l'arrière du siège et installez le siège dans la position désirée (Fig. 6a).

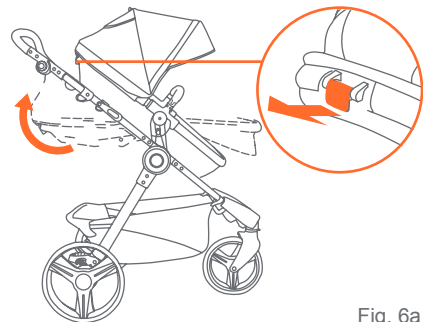


Fig. 6a

- **Positions verticale et inclinée :** Attachez les sangles du repose-pieds l'arrière du siège. Tirez sur les sangles qui dépassent afin de bien ajuster le siège (Fig. 6b).

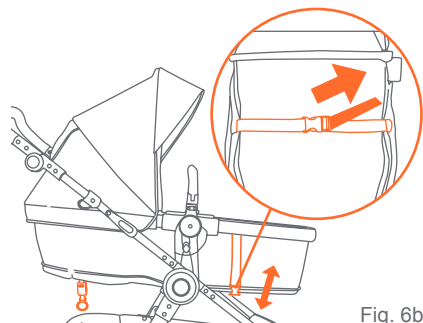


Fig. 6b

- Pour incliner le siège, desserrer la l'appui-tête sangle et ajuster à l'inclinaison désirée (Fig. 6c).

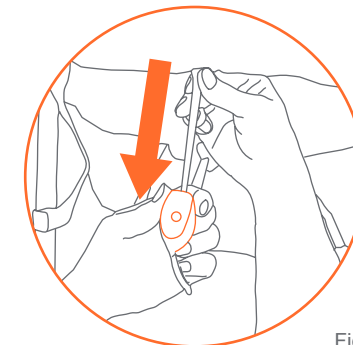


Fig. 6c

- Pour placer le dossier du siège dans une position verticale, appuyer sur l'arrière du siège d'une main tout en tirant sur la sangle avec l'autre (Fig. 6d). La sangle se verrouille automatiquement.

La position redressée ne doit être utilisée que pour un enfant d'au moins 6 mois. Toujours réajuster le harnais de sécurité, y compris les ceintures d'épaules, lors du repositionnement du siège.

- **Position landau :** Assurez-vous que les sangles du repose-pieds et de l'appui-tête sont desserrées et allongez complètement le siège (Fig. 6b).

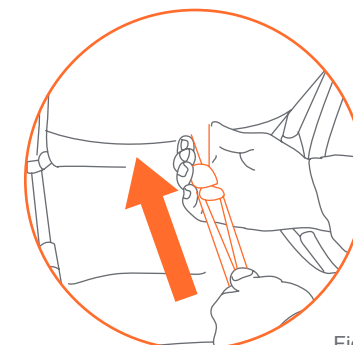


Fig. 6d

AUVENT AMOVIBLE

- 7) • **Pour fixer l'auvent amovible :** enclenchez les pinces de l'auvent à l'intérieur des tubes du siège pour enfant (Fig. 7a).

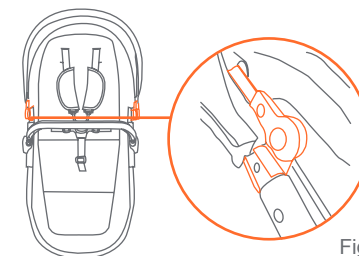


Fig. 7a

- **Pour ouvrir l'auvent :** poussez vers l'avant sur le bord avant de l'auvent, tout en maintenant le bord arrière en position stable (Fig. 7b).

- **Pour plier l'auvent :** tirez vers l'arrière sur le bord avant (Fig. 7b).

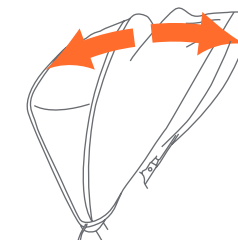
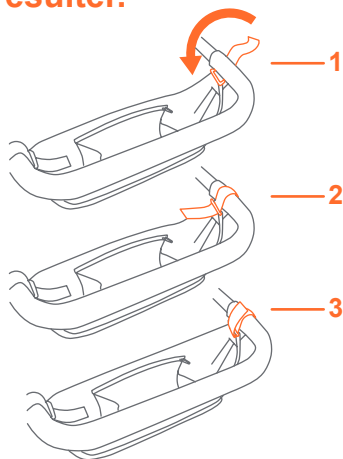


Fig. 7b

PANIER DE RANGEMENT SOUPLE POUR PARENTS

⚠️ AVERTISSEMENT : Ne placez pas de liquides chauds ou plus de 3 livres sur le plateau parents. De brûlures graves ou des conditions rendant le plateau instable pourraient en résulter.

- 8) • Sangle Du Panier De Rangement Souple Pour Parents : Utilisez le crochet et la boucle pour fixer le panier de rangement souple pour parents à la poignée de la poussette, illustrations 1 à 3 (Fig. 8). **ASSUREZ-VOUS DE BIEN SERRER LA SANGLE.**



PLATEAU POUR ENFANT (si équipé)

⚠️ AVERTISSEMENT : Ne placez pas de liquides chauds ou plus de 1 livre sur le plateau enfant. De brûlures graves ou des conditions rendant le plateau instable pourraient en résulter.

⚠️ AVERTISSEMENT : Il faut faire attention au moment d'attacher et retirer le plateau pour enfant afin d'éviter de coincer ses doigts.

- 9) • Pour attacher le plateau pour enfant : le plateau pour enfant a trois positions, alignez celui-ci dans une des positions et poussez vers le bas sur la barre de caoutchouc (Fig.9a). Poussez jusqu'à ce qu'il soit fermement en place.

REMARQUE : Assurez-vous que le plateau pour enfant soit verrouillé dans une de ces trois positions avant de l'utiliser.

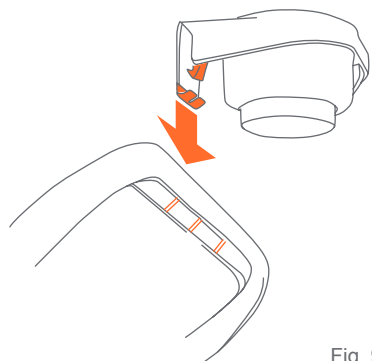


Fig. 9a

- Pour retirer le plateau pour enfant : poussez l'attache du plateau pour enfant vers l'extérieur et tirez vers le haut (Fig. 9b).

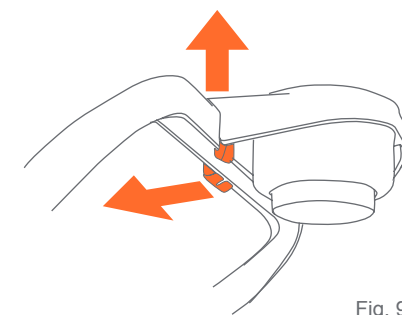


Fig. 9b

FREIN

⚠️ AVERTISSEMENT : Toujours engager les freins lorsque la poussette est en position d'arrêt, afin qu'elle soit bien stabilisée. Ne JAMAIS laisser la poussette sans surveillance sur une côte ou en position inclinée, car elle pourrait glisser vers le bas.

- 10) • Pour serrer les freins, appliquez une pression vers le bas sur les leviers de frein situés sur l'essieu arrière. Il peut être nécessaire de bouger la poussette vers l'avant ou l'arrière afin de serrer le frein (Fig. 10).

REMARQUE : Vérifiez que la poussette ne bouge pas et que les freins sont correctement engagés.

- Pour desserrer, soulevez légèrement le levier de frein.

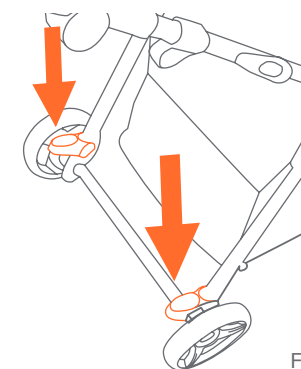


Fig. 10

BLOCAGE DES ROUES AVANT (si équipé)

- 11) • Les roues avant sont équipées d'un dispositif de verrouillage pour les bloquer de pivoter. Levez le levier sur chaque roue pour engager le verrou et poussez le levier vers le bas pour dégager le dispositif de verrouillage (Fig. 11).

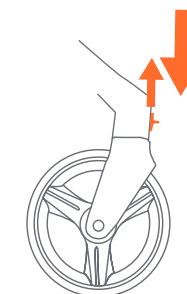


Fig. 11

POUR ATTACHER L'ENFANT

⚠️ AVERTISSEMENT : Éviter les blessures graves causées par une chute ou une glissade. Toujours utiliser le harnais de sécurité.

⚠️ DANGER D'ÉTRANGLEMENT: Un enfant pourrait s'étrangler dans des sangles lâches. Ne jamais laisser un enfant dans le siège lorsque les sangles sont lâches ou défaites.

12) • Les courroies du harnais à 5 points ont 3 positions d'attache. Choisir la position qui place la courroie à niveau avec, ou au-dessus de l'épaule de l'enfant (Fig. 12a).

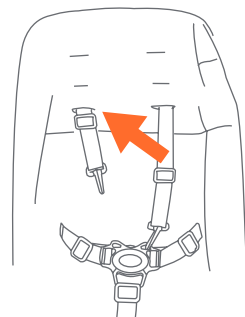


Fig. 12a

• Pour ajuster le niveau de l'harnais, démontez aux boucles des ceintures. Mettez les ceintures de l'harnais dans les fentes. Vous pouvez du siège remettre dans les fentes correspondant et remonter les boucles des ceintures.

• Placer soigneusement l'enfant dans le siège de la poussette et tirer la ceinture de sécurité autour de la taille de l'enfant. Attacher l'entre-jambes entre les jambes de l'enfant. Insérer l'extrémité mâle de chaque ceinture de sécurité des épaules et de la taille dans la boucle de l'entre-jambes. Serrer la ceinture de sécurité pour qu'elle soit serrée mais confortable autour de la taille de l'enfant (Fig. 12b).

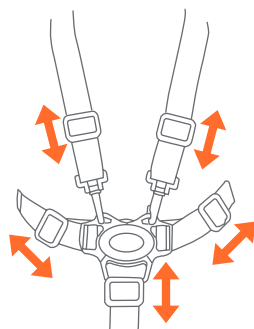


Fig. 12b

13) • Appuyer sur le bouton au centre des boucles, les deux sangles se détacheront (Fig. 13).

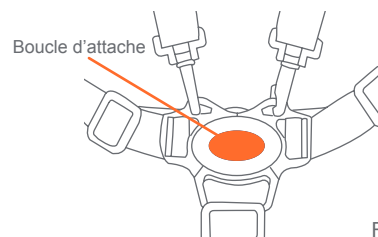


Fig. 13

FIXATION DU SIÈGE D'AUTO POUR BÉBÉ

⚠️ ADVERTENCIA : Evite una lesión grave por caídas o resbalones, siempre use el arnés de la Sillita para el automóvil.

Produits Snap Tech™ **SEULEMENT** approuvés peuvent être utilisés sur le cadre.

14) • Fixez le siège d'auto de façon à ce qu'il soit orienté face à la poignée de la poussette en alignant les dispositifs d'ancrage situés sur les côtés du siège d'auto avec les dispositifs d'ancrage sur le cadre de la poussette, et poussez-les ensemble jusqu'à ce qu'ils se mettent en place solidement à l'aide d'un clic (Fig. 14).

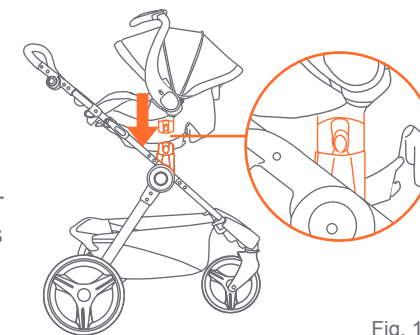


Fig. 14

POUR RETIRER LE SIÈGE OU LA FIXATION DU SIÈGE D'AUTO

15) • Pour retirer le siège ou la fixation du siège d'auto, tirer les deux leviers de dégagement vers le haut, puis tirer le siège vers le haut (Fig. 15).

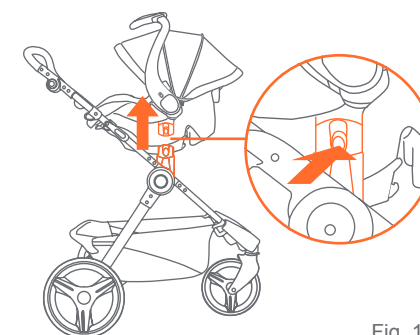


Fig. 15

REPLIER LA POUSSETTE

⚠ AVERTISSEMENT : Faire attention à ne pas vous pincer les doigts en pliant et dépliant la poussette.

MISE EN GARDE : Ne pas laisser les enfants à proximité de la poussette lorsque vous la pliez.

16) • Tirez la poussette de plusieurs centimètres vers l'arrière pour faire tourner les roues avant vers l'avant.

- Pliez la poussette en tirant les deux leviers de dégagement (Fig. 16a) et poussez la poignée vers le sol. Assurez-vous que les roues avant sont positionnées à plat et pliez ensuite la poussette en bloquant le dispositif de verrouillage situé sur le côté droit de la poussette, sur le rivet (Fig. 16b).

REMARQUE : Retirez tous les articles du panier avant de le plier.

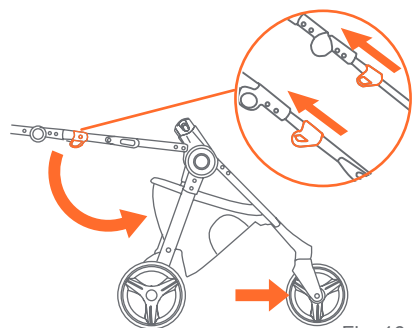


Fig. 16a

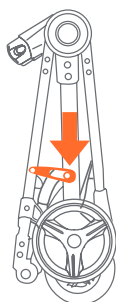


Fig. 16b

POUR DÉPLIER LA POUSSETTE

MISE EN GARDE : Ne Jamais laisser les enfants à proximité de la poussette lors de son dépliage.

17) • Déverrouiller le levier de déverrouillage (Fig. 17a). Déplier cadre de la poussette en tirant la poignée (Fig. 17b). Le bar se verrouille lorsque les jambes le complètement tendues.

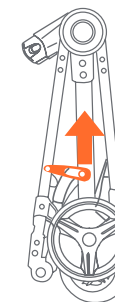


Fig. 17a

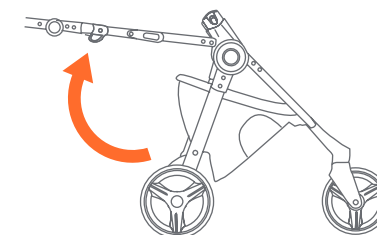


Fig. 17b

SOIN D'ENTRETIEN

SEAT PADGARNITURE DE SIÈGE

- Pour nettoyer la garniture de siège, n'utilisez que du savon ou détergent doux et de l'eau chaude à l'aide d'une éponge ou d'un chiffon propre.

AUTRES

- Vérifiez régulièrement la poussette pour détecter la présence de vis desserrées, de pièces usées, de tissu déchiré ou décousu. Remplacez ou réparez les pièces au besoin.

POSITIONS DE BALADER

⚠ AVERTISSEMENT
RISQUE DE CHUTE: La barre de pare-choc n'est pas conçue pour supporter le poids d'un siège d'auto; la poussette pourrait devenir instable.

