

TROUBLESHOOTING

If the gate does not stay closed the upper latch set is not properly adjusted.

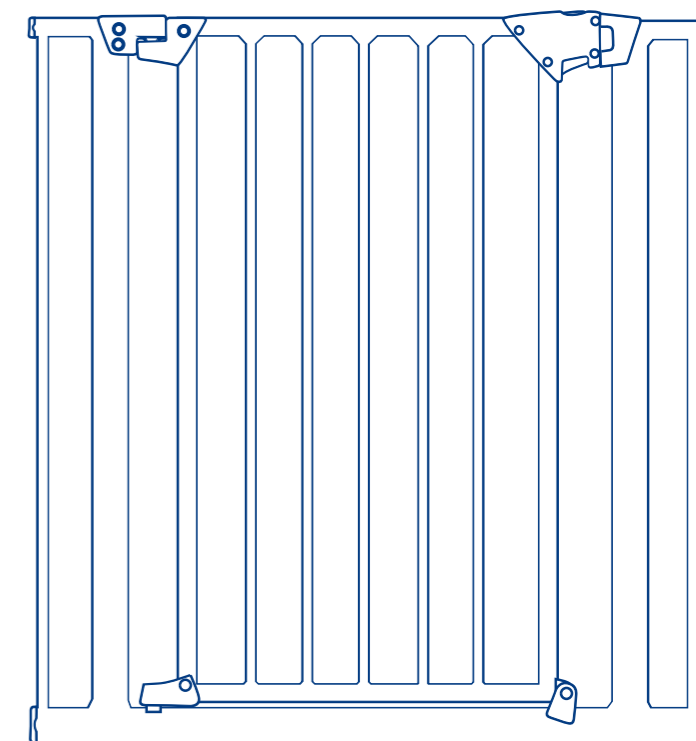
- Adjust the upper tension nuts by turning them counter-clockwise to release tension or clockwise to increase tension. Ensure that the upper latch button always remains below the release button. Also ensure that the upper latch button engages securely when the gate swings closed and that it can be released properly when the release button is pushed.

MAINTENANCE

- Regularly check tension nuts and bolts to make sure the gate is securely in place.
- Do not use the gate if any components are damaged or missing.
- Wipe surface with a damp cloth or sponge, using mild detergent and warm water.

Pressure Fit Metal Gate / Wood & Metal Gate

***For Doorways**



NOTE: GATE WILL HAVE PRE-SET GAP. THIS IS A FACTORY SET ANGLE AND WILL MAINTAIN CORRECT TENSION.

⚠ WARNING: Please follow all of these instructions to ensure the safety of your child. Keep these instructions for future reference.

- To prevent serious injury or death, securely install gate or enclosure and use according to manufacturer's instructions.
- This product is intended for use with children from 6 months up to 24 months of age.
- **NEVER** use with a child able to climb over or dislodge the gate or enclosure.
- **NEVER** leave child unattended. Adult supervision is required at all times.
- Install with locking mechanism on side away from child.
- Use only with the locking/latching mechanism securely engaged.
- Never step over gate.
- Adult assembly required. Exercise care when unpacking and assembling product.
- To prevent falls, never use at top of stairs.

If you experience any difficulty with assembly, missing parts or use, please **DO NOT** return this item to the store. Retail stores are unable to properly assist you. Contact our Customer Service Department directly for assistance.
Call toll-free 1-800-328-7363, Monday - Friday, between the hours of 8:00 a.m. and 4:30 p.m. (PST).

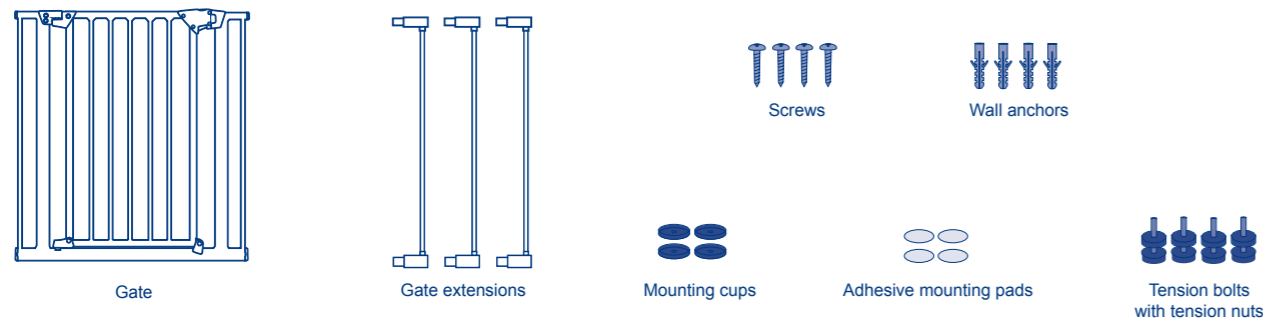
GT04SIL
GT05SLW
GT06GDW

baby trend

www.babytrend.com

0214

Check that you have all the parts for this model before assembling the gate.



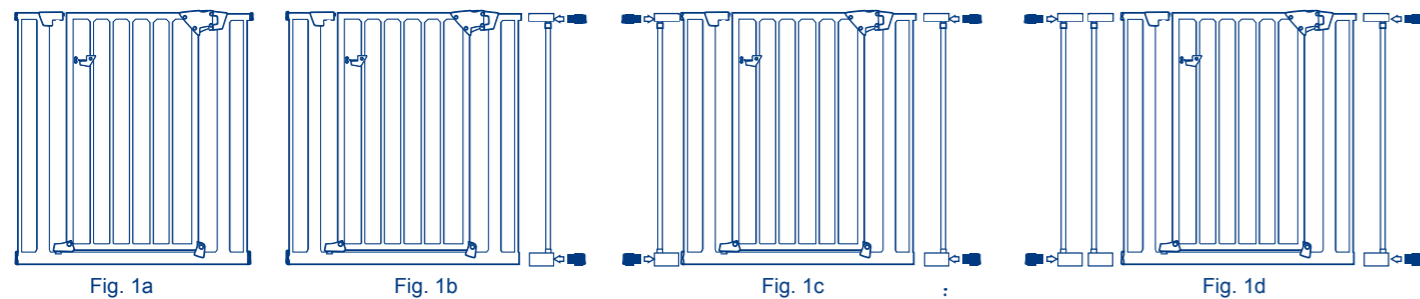
NOTE: GATE WILL HAVE PRE-SET GAP. THIS IS A FACTORY SET ANGLE AND WILL MAINTAIN CORRECT TENSION.

Remove contents from box

MEASURE OPENING

Measure the width of the doorway to determine installation configuration before installing in doorway. When using extension frames, remove plastic end caps (top and bottom) at the end of each gate and insert extension frame. Afterwards, re-insert the end caps into the extension frame ends before installing tension bolts.

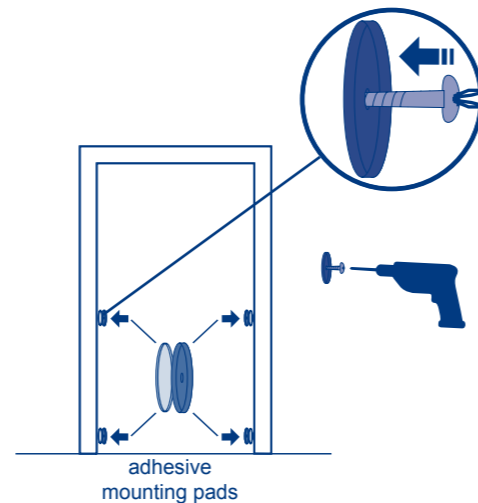
- Refer to the doorway measurements below and to the corresponding installation configuration.
- 28 inch - 32.5 inch - without extension frames (Fig 1a)
- 30.5 inch - 34.5 inch - with extension frame (Fig 1b)
- 33 inch - 37.5 inch - with two extension frame (Fig 1c)
- 35.5 inch - 40 inch - *with three extension frames (Fig 1d)
- *Do not use more than two extensions on a single side. As pictured in Fig. 1d



MOUNTING CUP INSTALLATION (TO SECURE GATE)

- Fasten mounting cups with the opening facing up to the door frame or studs with screws.
- Slide pressure mount into mounting cup.
- If mounting into wall, use wall anchors.

Note: The adhesive mounting pads are included only for positioning the mounting cups and must be used in conjunction with screws. This gate includes a door stopper which prevents the gate from swinging open in one direction. When mounting this product at the top of stairs, be sure to assemble gate so door does not swing over the stairs. If product is not being used at the top of stairs, door stopper may be removed (by removing screws) to allow gate to swing open in both directions. Additionally, the door stopper may be removed and installed on opposite side of door to prevent door from opening in



opposite direction

DOORWAY INSTALLATION

- Screw tension nuts on each of the tension bolts until they contact the pads. (Fig. 2)
- Insert each tension bolt into the holes on the outside of the gate. (Fig. 3)
- Place the gate in the doorway so that the bottom of the frame is completely flat on the floor. (Fig. 4)
- Center the gate in the doorway so that both sides of the gate are an equal distance to the wall (Fig. 5)
- Extend each bolt from the frame until the pads contact the wall, then screw the tension nuts until they tighten against frame.
- Tighten the upper tension nuts towards the frame, then tighten lower tension nuts towards frame until the upper latch handle contacts the frame. (Fig. 6)
- Set door stopper on the bottom of gate by turning plastic downward in the opposite direction of use. (Fig. 7)

VERIFY INSTALLATION

- Push the frame to ensure that it is secure in the opening and then push the gate panel to ensure that the upper and lower latches lock securely in the housing on the frame,

Note: If necessary, a wrench can be used for final tightening of all four tension nuts. If the gate is too difficult to unlatch, the top tension nuts may be too tight.

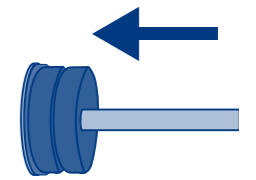
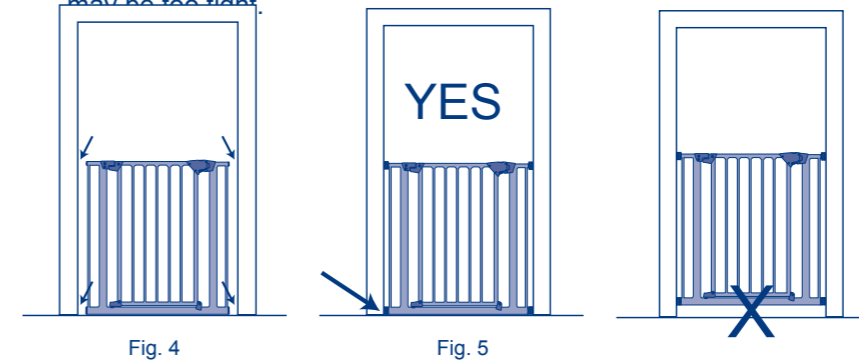


Fig. 2

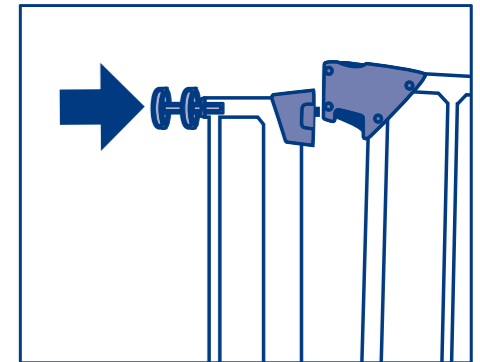


Fig. 3

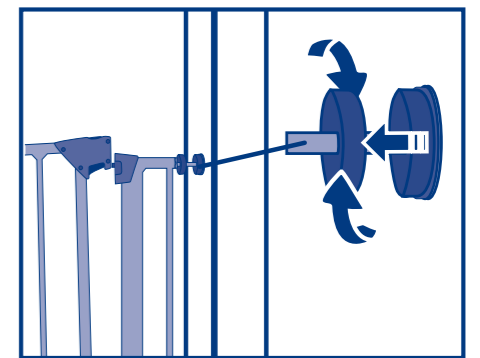


Fig. 6

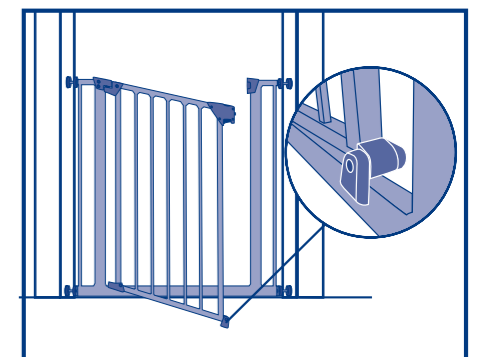


Fig. 7

OPERATION

To open the gate

- Squeeze trigger comfort grip handle by pressing both top thumb.
- Swing open in opposite direction to door stopper.

After closing the gate, ALWAYS check that the gate is securely latched.