

- To partially zip the Sleep Surfaces together, insert the zipper pull into the zipper insertion and close only 2 inches (Fig 3c).
- Expand the second side of the Respiro™ Frame completely. Place one hand on the corner of the Respiro™ Mattress and your other hand on the trigger handle (Fig 3d). Always grasp the trigger handle from the outer edge. Do not engage the trigger handle from the inner mechanism (Fig 3e).
- Close the zipper completely. Place the zipper pull flat on the zipper to lock into position (Fig 2c).

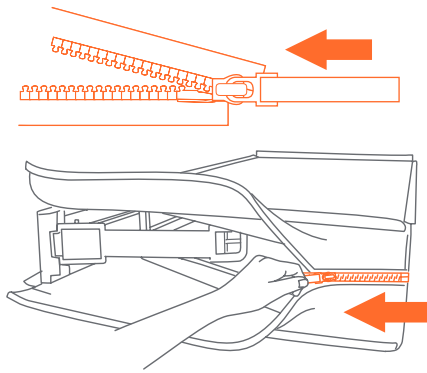


Fig. 3c

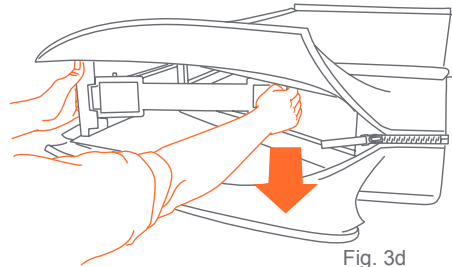


Fig. 3d

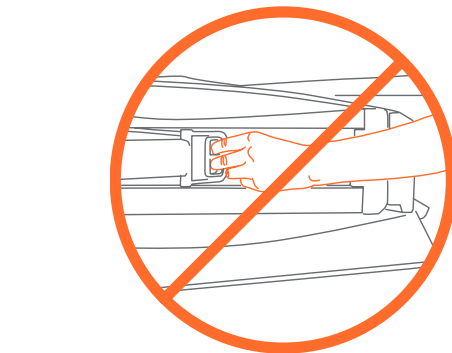


Fig. 3e

DO NOT RETURN YOUR PRODUCT TO THE STORE. PLEASE CONTACT BABY TREND® FOR REPLACEMENT PARTS, SERVICE AND REPAIR.

NO DEVUELVA SU PRODUCTO A LA TIENDA. POR FAVOR CONTACTE A BABY TREND® PARA PIEZAS DE REPUESTO, SERVICIO Y REPARACION.

NE PAS RETOURNER VOTRE PRODUIT AU MAGASIN. VEUILLEZ CONTACTER BABY TREND® POUR DES PIÈCES DE RECHANGE, ENTRETIEN ET RÉPARATION.

CM01XXXA\_USA\_Insert80817

- 1) After following (Fig. 1a) through (Fig. 1b) of The Respiro™ Crib Mattress instruction manual, use these alternative steps for a fast and easy installation.
  - Glide the Sleep Surface tubing completely through the tracks.
  - Carefully flip the Frame over and repeat for the other Sleep Surface (Fig 1c).

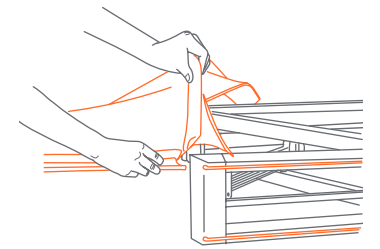
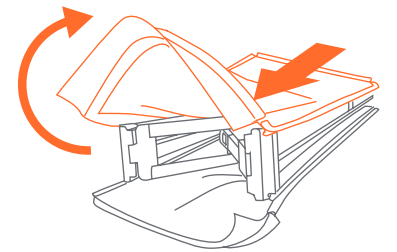


Fig. 1c



**IMPORTANT:** Be sure that the tubing goes all the way through the tracks. Tug the Sleep Surfaces firmly on the opposing side to ensure that the Sleep Surfaces are set in correctly (Fig 1d).

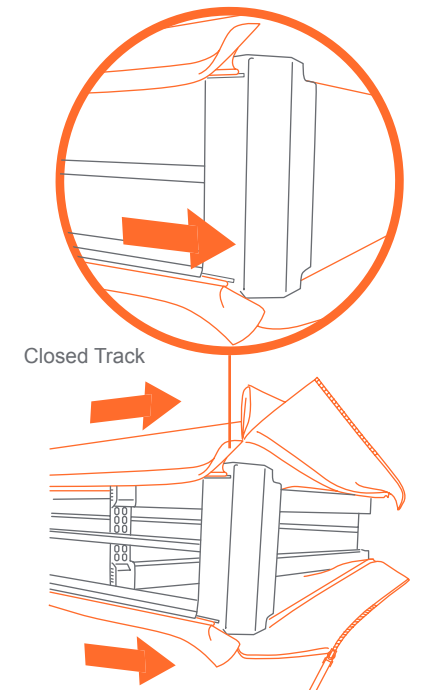


Fig. 1d

- Starting on the end with the closed track, partially zip the Sleep Surfaces together, insert the zipper pull into the zipper insertion and close only 2 inches (Fig 1e).

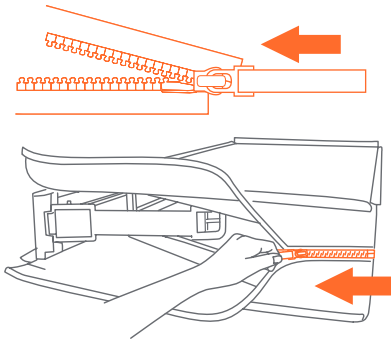


Fig. 1e

- Expand the first side of the Respiro™ Frame completely. Place one hand on the corner of the Respiro™ Mattress and your other hand on the trigger handle (Fig 2a).

**NOTE:** Always grasp the trigger handle from the outer edge. Do not engage the trigger handle from the inner mechanism (Fig 2b).

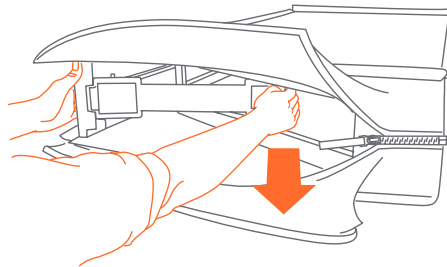


Fig. 2a

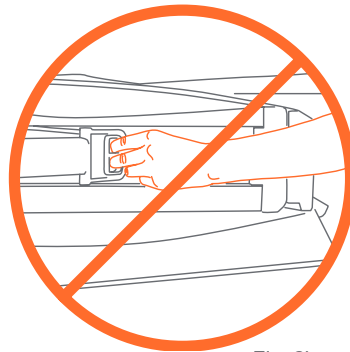
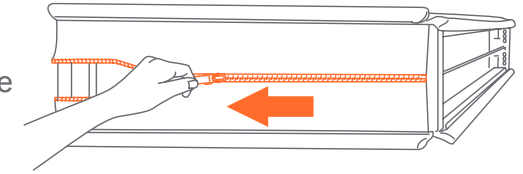


Fig. 2b

- Close the zipper completely. Place the zipper pull flat on the zipper to lock into position (Fig 2c).



Lock Position  
Posición para asegurar  
Position verrouillée



Fig. 2c

- On the end with the open track of The Respiro™ Crib Mattress, begin the process again to ensure the Sleep Surfaces are tightly pulled through the frame.

- Tug the Sleep Surfaces firmly on the top and bottom sides to be sure the Sleep Surfaces are set in correctly (Fig 3a).

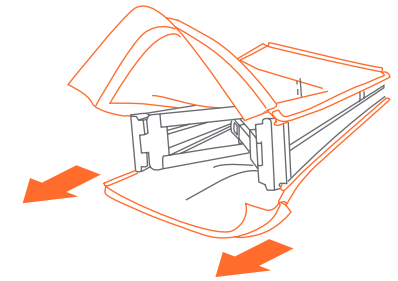


Fig. 3a

**IMPORTANT:** Be sure that the tubing goes all the way through the tracks. Tug the Sleep Surfaces firmly on the opposing side to ensure that the Sleep Surfaces are set in correctly (Fig 3b).

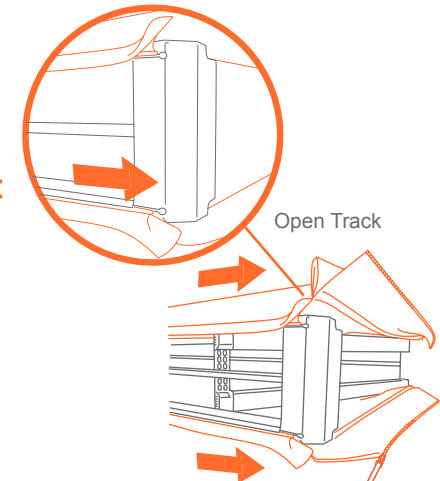


Fig. 3b