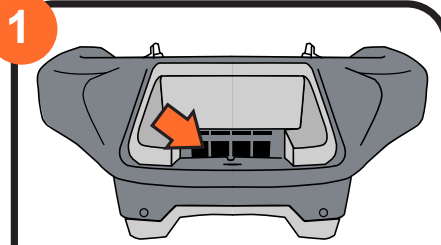


# TO RE-INSTALL THE FOOT ADJUSTMENT RECLINE HANDLE

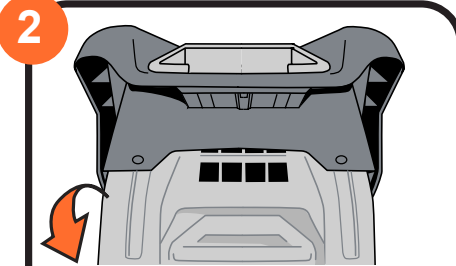
For The Instructional Video and FAQ's Visit:

[www.babytrend.com](http://www.babytrend.com)

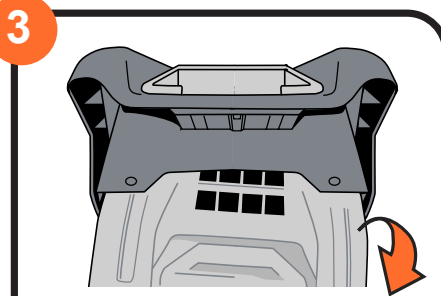
Video: <https://youtu.be/Jggc8vQI-X4>  
or scan the QR code



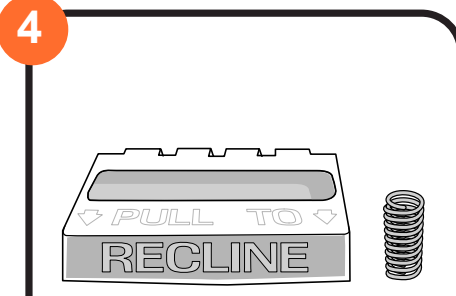
1  
In the event that the recline handle was pushed inward past the retention detents, a reassembly of the recline handle and spring will be necessary.



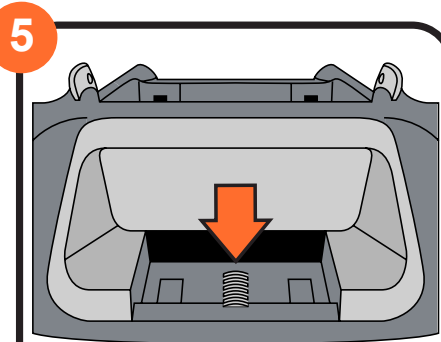
2  
To re-assemble; stand the base on end so the front of the base is facing upward. Press down on one side to release the recline foot.



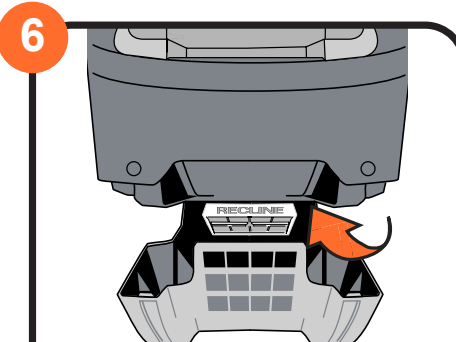
3  
Repeat for the other side of the base.



4  
Locate the spring and recline handle

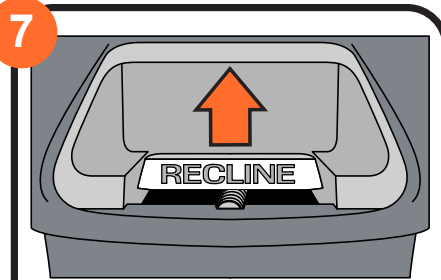


5  
Place spring in recessed pocket.

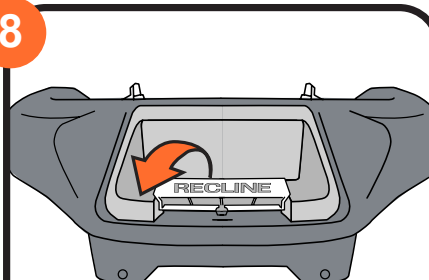


6  
Feed the release handle upward toward the release handle opening and hold in place.

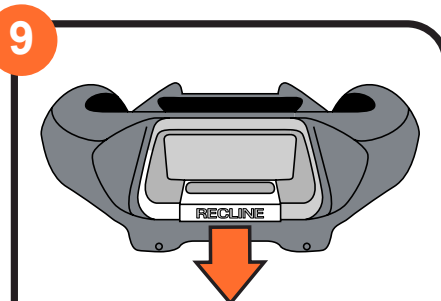
## TO RE-INSTALL THE FOOT ADJUSTMENT RECLINE HANDLE



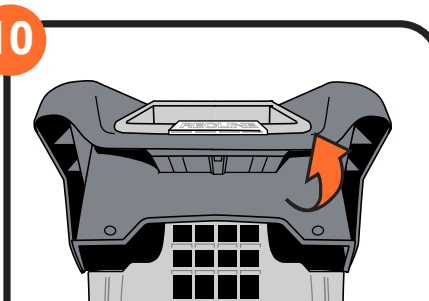
From inside of base press the release handle through the opening. **NOTE:** Word "Recline" facing towards you.



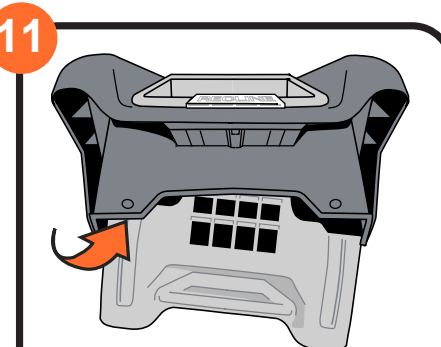
Continue to set into place by carefully aligning the handle through the opening.



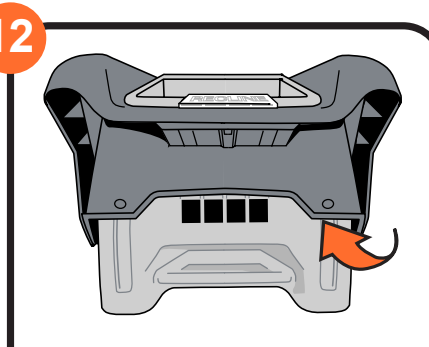
Pull the handle into place until you hear a snap. Then pull the handle forward and release to snap it back into place.



Rotate the Complete Recline foot upward.



Depress one side of the recline foot and press it into the base to join the corresponding fittings.



Repeat for other side.