

WARRANTY

DO NOT RETURN YOUR PRODUCT TO THE STORE. PLEASE CONTACT BABY TREND® FOR REPLACEMENT PARTS, SERVICE AND REPAIR.

The Baby Trend® warranty covers workmanship defects within 1 year of purchase. Any product which has been subjected to misuse, abuse, abnormal use, excessive wear and tear, improper assembly, negligence, environmental exposure, alteration or accident, or has had its serial number altered or removed invalidates all claims against the manufacturer. Any damage to property during installation is the sole responsibility of the end user.

Customer Service Department can be contacted at 1 (800) 328-7363 Monday through Friday between 8:00 a.m. and 4:30 p.m. (PST). Return Authorizations are required prior to returning product(s) to Baby Trend®. Please visit <http://babytrend.com/pages/limited-warranty> for complete warranty details.

GARANTIA

NO DEVUELVA SU PRODUCTO A LA TIENDA. POR FAVOR CONTACTE A BABY TREND® PARA PIEZAS DE REPUESTO, SERVICIO Y REPARACION.

La garantía de Baby Trend® cubre defectos de fábrica por 1 año después de la compra. Cualquier producto que haya sido sometido a uso inadecuado, abuso, uso anormal, desgaste excesivo, montaje incorrecto, negligencia, exposición ambiental, alteración o accidente, o cuyo número de serie haya sido alterado o removido, anula todos los reclamos contra el fabricante. Cualquier daño a la propiedad durante la instalación es la exclusiva responsabilidad del usuario final. El Departamento de Servicio al Cliente está disponible llamando al 1 (800) 328-7363, de lunes a viernes de 8:00 a.m. a 4:30 p.m. (PST). Se requiere una Autorización de Devolución antes de poder devolver el o los productos a Baby Trend®. Visite <http://babytrend.com/pages/limited-warranty> para conocer todos los detalles de la garantía.

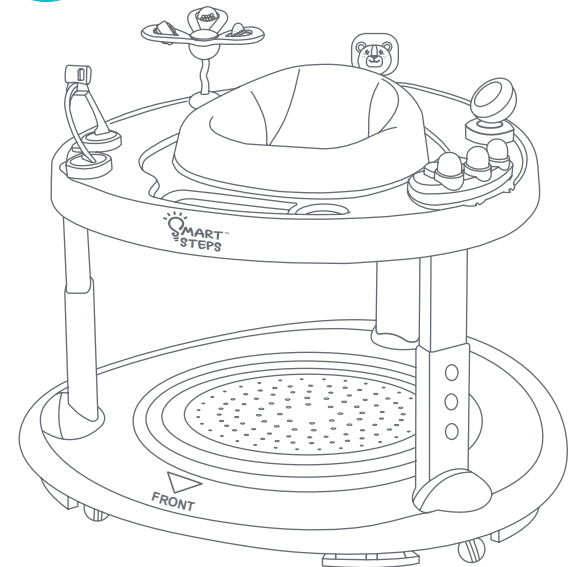


Read all instructions BEFORE assembly and USE of product.

KEEP INSTRUCTIONS FOR FUTURE USE.

Lea todas las instrucciones ANTES de armar y USAR el producto.

CONSERVE LAS INSTRUCCIONES PARA USO FUTURO.




**Bounce N' Glide 3-in-1
Activity Center Walker**

WK03XXXB

**Instruction Manual
Manual de Instrucciones**

Baby Trend, Inc. 13048 Valley Blvd. Fontana CA 92335
1-800-328-7363 (8:00 a.m. ~ 4:30 p.m. PST) www.babytrend.com

WARNING

 **WARNING:** Younger infants between 4 to 6 months are right at the critical age to be considered safe while playing in a seated style activity center. Your child **MUST ALREADY** be able to hold their head upright and steadily unassisted before being placed in the activity center. **DO NOT** use the activity center if they cannot.

STRANGULATION HAZARD

Strings can cause STRANGULATION!

- **DO NOT** place items with a string around child's neck, such as hood strings or pacifier cords.
- **DO NOT** suspend strings over product or attach strings to toys. The Stationary Activity Center is: Only for use by infants at least 4 months old and who can hold their head up unassisted.

FALL HAZARD!

Babies can **FALL** from unit resulting in head injuries.

- Never leave child unattended. Always keep child in view while in product.
- Never use near stairs, stoves or ovens, heaters, fireplaces, swimming pools, or other dangerous areas.
- To avoid tip over, place product on a flat, level surface.
- **NEVER** lift this product with your child in it.
- **NEVER** place product on counter tops, tables, or any other elevated surface.
- Do not use Dome base alone or leave on floor to avoid slipping or tripping over. Always store Dome away when not in use with product.
- **ALWAYS** make sure to lock the seat before using the walker mode. Refer to the corresponding Fig. 8b.

IMPORTANT! Discontinue use in any mode if child can climb out, begins to walk, reaches 30 pounds in weight or 32 inches in height.

WARNING

Do not use the stationary activity center if it is damaged or broken.

Discontinue use should any part become damaged. Please contact our customer service at 1-800-328-7363 to order replacement parts or arrange for repairs.

Read all instructions before assembly and use of the stationary activity center.

Keep instructions for future use.

IMPORTANT! To ensure safe operation of your product, please follow these instructions carefully. Please keep these instructions for future reference.

IMPORTANT! Before assembly and each use, inspect this product for damaged hardware, loose joints, missing parts or sharp edges. **NEVER** use if any parts are missing or broken.

IMPORTANT! Adult assembly is required.

 **WARNING:** Use only on flat surfaces free of objects that could cause the walker to tip over.

- **DO NOT USE UNTIL BABY CAN SIT UP BY ITSELF.**
- Periodically inspect seat pad plastic tabs to be sure they are secured in the body. **DO NOT USE THE WALKER IF IT IS DAMAGED OR BROKEN.**
- Clean the stoppers on the walker base regularly to maintain stopping performance.
- Clean the wheels on walker regularly to maintain rotating performance.

 **WARNING:** To avoid burns, keep the child away from hot liquids, ranges, radiators, space heaters, fireplaces, etc.

 **WARNING-STAIR HAZARD:** Avoid serious injury or death, block stairs/ steps securely before using walker.

- Baby walkers are not designed to be used on carpets and rugs.

⚠️ ADVERTENCIA

⚠️ **ADVERTENCIA:** Los bebés más pequeños, entre 4 y 6 meses, están en una edad crítica para que se considere seguro que jueguen en un centro de actividades donde están sentados. Su hijo YA DEBE poder mantener la cabeza erguida y sostenerse firmemente sin ayuda antes de ser colocado en el centro de actividades. NO use el centro de actividades si el bebé no puede mantenerse de esta forma.

⚠️ PELIGRO DE ESTRANGULAMIENTO

- ¡Las cuerdas pueden causar estrangulamiento!
- NO coloque artículos con cuerdas alrededor del cuello del niño, como por ejemplo cordones de capuchas o sonajeros.
 - NO suspenda cuerdas por encima del producto ni sujete cuerdas a los juguetes. El centro de actividades fijo es para uso exclusivo de bebés mayores de 4 meses que pueden mantener la cabeza erguida sin ayuda.

⚠️ ¡PELIGRO DE CAÍDA!

Los bebés se pueden CAER de la unidad y sufrir lesiones en la cabeza.

- Nunca pierda de vista al niño. Siempre mantenga al niño a la vista mientras esté en el producto.
- Nunca lo use cerca de escaleras, estufas o calentadores, chimeneas, piscinas u otras áreas peligrosas.
- Para evitar vuelcos, coloque el producto sobre una superficie plana y pareja.
- NUNCA levante este producto con su hijo encima.
- NUNCA coloque el producto sobre mesadas, mesas o cualquier otra superficie elevada.
- No utilice la base del Domo sola ni la deje en el suelo para evitar resbalones o vuelcos. Siempre guarde el domo fuera del camino y del suelo cuando no esté en uso con el producto.
- SIEMPRE asegúrese de bloquear el asiento antes de usar el modo andador. Consulte la Fig. 8b correspondiente.

¡IMPORTANTE! Deje de usar el modo si el niño puede salirse o comienza a caminar, si pesa 13,5 kg (30 lb) o mide 80 cm o si puede caminar sin ayuda.

No utilice el centro de actividad estacionario si está dañado o roto.

⚠️ ADVERTENCIA

Deje de utilizarlo si alguna pieza se daña. Comuníquese con nuestro servicio al cliente al 1-800-328-7363 para pedir piezas de remplazo o para su reparación.

Lea todas las instrucciones antes de armar y usar el centro de actividades fijo. Conserve las instrucciones para su uso futuro.

¡IMPORTANTE! Para asegurar el funcionamiento seguro de su producto, siga estas instrucciones cuidadosamente. Por favor, conserve estas instrucciones para referencia futura.

¡IMPORTANTE! Antes de armar y cada vez que vaya a usar este producto, revise que no tenga piezas de metal dañadas, uniones flojas, piezas ausentes o bordes puntiagudos. NUNCA utilice el producto con piezas ausentes o rotas.

¡IMPORTANTE! Se requiere el montaje por parte de un adulto.

⚠️ **ADVERTENCIA:** Utilícelo solamente en superficies planas libres de objetos que puedan hacer que el andador tropiece y se caiga.

- NO USAR HASTA QUE EL BEBE SE PUEDA SENTAR POR SÍ MISMO.
- Periódicamente inspeccione las lengüetas plásticas del cojín del asiento para verificar que estén bien ajustadas al cuerpo. NO USAR EL ANDADOR SI ESTÁ DANADO O ROTO.
- Limpie los tapones de goma en la base del andador regularmente para mantener la acción de frenado.
- Limpie las ruedas del andador regularmente para mantener el rendimiento de rotación.

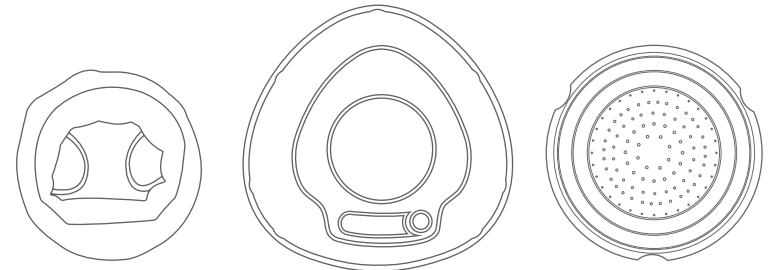
⚠️ **ADVERTENCIA:** Para evitar quemaduras, mantenga al niño alejado de líquidos calientes, cocinas, radiadores, calentadores de ambientes, chimeneas, etc.

⚠️ **ADVERTENCIA-PELIGRO CON LAS ESCALERAS:** Evite lesiones graves o la muerte bloqueando las escaleras o los escalones de manera segura antes de usar el andador, incluso cuando se usa el freno de mano.

- Los andadores para bebés no están diseñados para usarse en alfombras y tapetes.

Check that you have all the parts for this model before assembling the Activity Center.

Verifique que tenga todas las piezas para este modelo antes de montar El Centro de Actividades.



Seat and cover
Asiento y sostén

Tabletop
Tapa superior

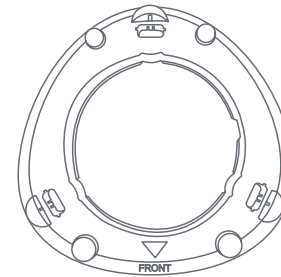
Air Bounce Board
Tablero de Rebote
de Aire


BABY TREND® CUSTOMER SERVICE

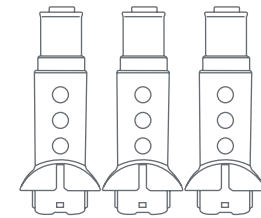
The Customer Service Department can be contacted at 1 (800) 328-7363 Monday through Friday between 8:00 a.m. and 4:30 p.m. (PST). Return Authorizations are required prior to returning product(s) to Baby Trend®.

BABY TREND® SERVICIO AL CLIENTE

El Departamento de Servicio al Cliente puede ser contactado a 1 (800) 328-7363 Lunes a viernes entre 8:00 a.m. y 4:30 p.m. (PST). Un número de autorización es requerido antes de la devolución de los producto(s) a Baby Trend®.



Base
Base



3 Table Legs
3 patas de mesa



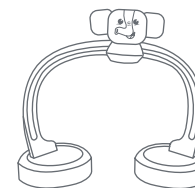
Mirror
Espejo



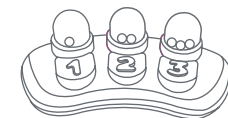
Lion
León



Flower
Flor



Toy Bar
Barra de juguetes



Button Board
Tablero de botones

TABLE LEGS

- 1 • Insert each leg into the base until it is securely attached (Fig. 1a).
- Insert the tabletop into all 3 legs (Fig. 1b).
NOTE: Ensure that each pin clicks into position and secure all legs into place.
- Be sure to lineup the tabletop tray **logo** with the base that has the imprinted **“FRONT”** lettering (Fig. 1c).

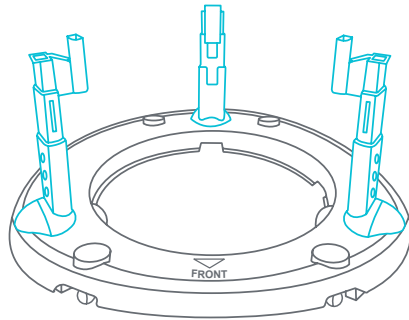
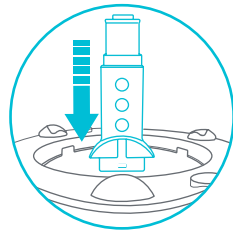


Fig. 1a

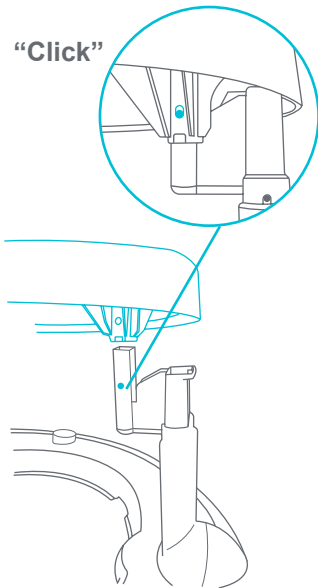


Fig. 1b

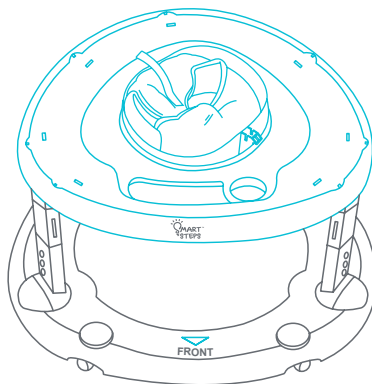


Fig. 1c

SWIVEL SEAT MODE

- 2 • Push the tabs inward to detach the seat from the top plate before assembling (Fig. 2a).
- Align the seat to the center opening and press it down firmly. The seat must completely click into to the tabletop (Fig. 2b).
NOTE: Rotate the seat to ensure the swivel function is active.
- To adjust the seat strap, push up on the strap to tighten. Flip the clip to loosen the seat (Fig. 2c).

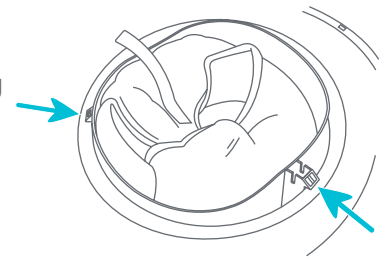


Fig. 2a

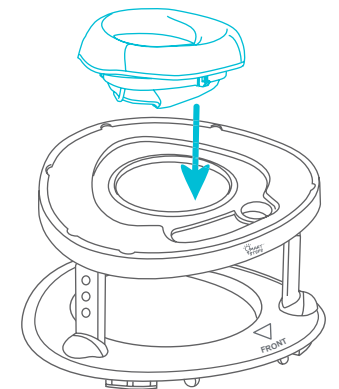


Fig. 2b

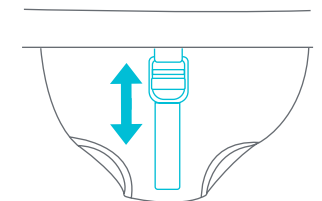
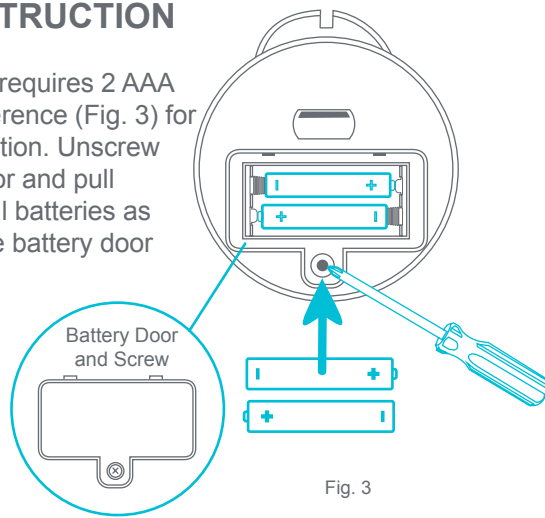


Fig. 2c

BATTERY INSTRUCTION

- 3 • The **Lion Toy** requires 2 AAA batteries. Reference (Fig. 3) for battery installation. Unscrew the battery door and pull outward. Install batteries as shown. Secure battery door with screw.



⚠️ WARNING:

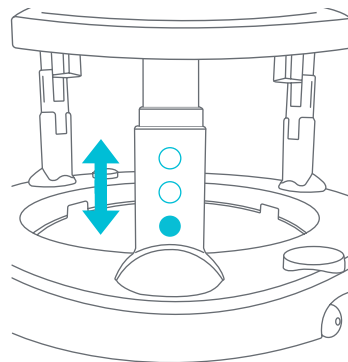
- Requires two AAA (LR03) batteries (not included) for toy operation.
- Non-rechargeable batteries are not to be recharged.
- Different types of batteries or new and used batteries are not to be mixed. Batteries need to be inserted with the correct polarity.
- Exhausted batteries are to be removed from the toy.
- The supply terminals are not to be short-circuited.
- Rechargeable batteries are to be removed from the toy before being charged.
- Rechargeable batteries are only to be charged under adult supervision.

HEIGHT POSITIONS

IMPORTANT: Never change the height when the baby is in the walker.

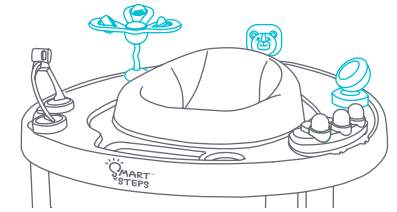
- 4 • To adjust the height position(s), push the button on the table leg to the desired position. Repeat for the other sides.

NOTE: Each leg has 3 adjustable height levels. **ALWAYS** adjust all 3 legs to the same level (Fig. 4).

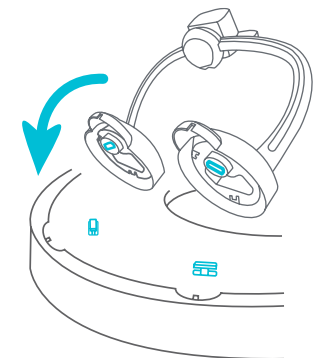


TOY ATTACHMENT

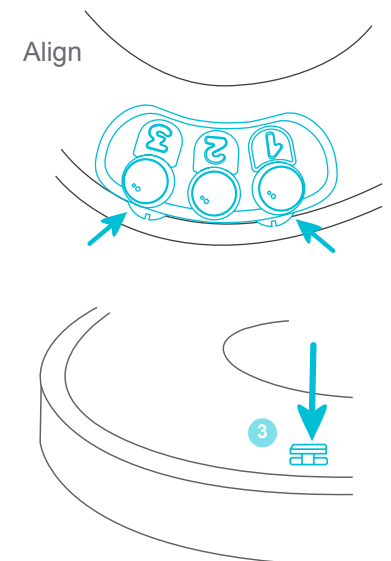
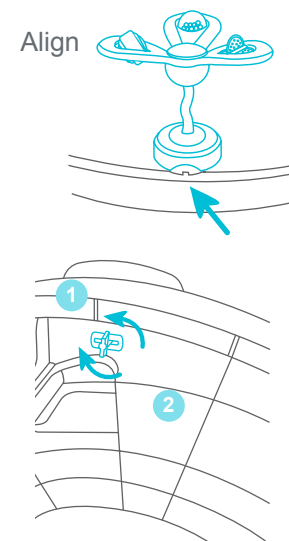
- 5 • Place toys in this order as shown. Toys must be properly attached before use (Fig. 5a). **NOTE: ONLY the flower, lion, and mirror stand-alone toys are interchangeable.**



- All toys must be aligned with their single or double tab housings on the activity center tray (Fig. 5b). Set the toy base in alignment with the tabletop fitting. From underneath the tabletop push the lock up and turn it left to lock.



- Use the diagram below (Fig. 5c) to lock the toys onto the tabletop. (1) Push the tab up and rotate it left to lock. (2) Rotate the tab right to release the toy. (3) Always put the small tab lock back into the tabletop when not in use.



FRONT WHEELS

This product converts into **(3) Modes:** Walker Mode, Air Bouncer Activity Center Mode, and Stationary Activity Center Mode. See pages 13-14 to use the different modes.

- 6 • Locate the two front wheels under the base shown on the diagram (Fig. 6a).
- Pull the wheel out from the base, and straighten the wheel (Fig. 6b).
- Push the wheel upward until it clicks into the base (Fig. 6c). Repeat for the other side.

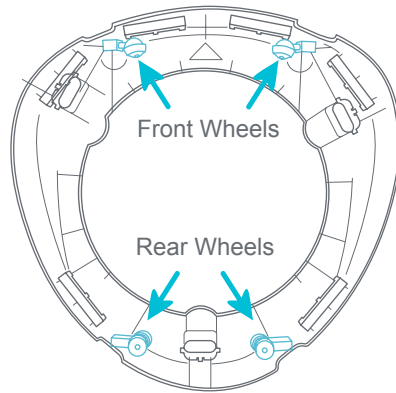


Fig. 6a

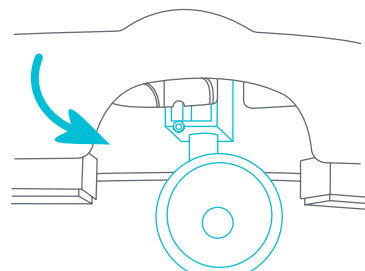
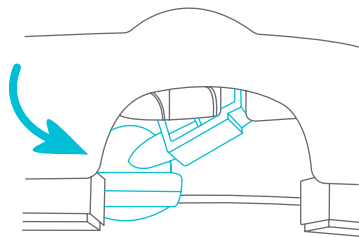


Fig. 6b

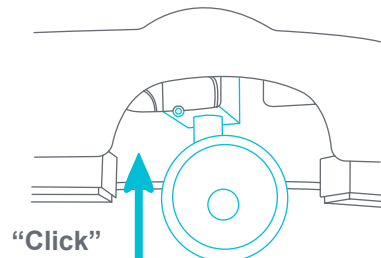


Fig. 6c

- **HIDE WHEELS:** To tuck away the wheels, pull the wheel out from the base and reverse the steps above. Repeat for the other side.

REAR WHEELS

- 7 • Locate the two rear wheels on the diagram (Fig. 6a).
- Pull the wheel out from the base, and straighten the wheel (Fig. 7a).
- Push the wheel upward until it clicks into the base (Fig. 7b). Repeat for the other side.
- **HIDE WHEELS:** To tuck away the wheels, pull the wheel out from the base and reverse the steps above. Repeat for the other side.

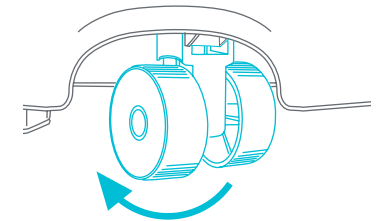
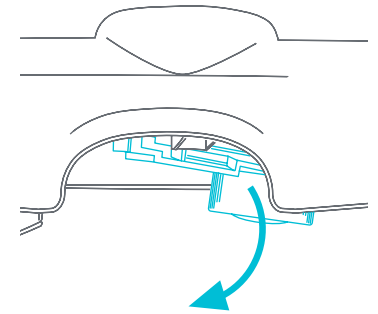


Fig. 7a

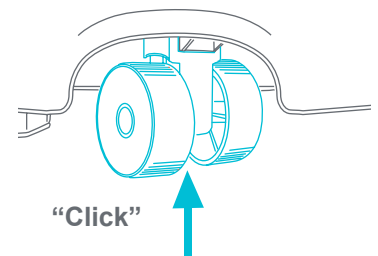


Fig. 7b

WALKER MODE

⚠️WARNING: For 4 months up to 30lb. use **ONLY**. **ALWAYS** make sure to lock the seat before using the walker mode. Refer to the corresponding Fig. 8b.

- 8 • **ATTENTION: MUST** remove the Air Bouncer Board.
- To use the wheels, refer to steps 6 & 7.
- Ensure the seat is aligned with the front tray and front of the base (Fig. 8a).
- **LOCKING SWIVEL SEAT TO FRONT POSITION:**
To lock the seat in place, locate the lever underneath the tabletop. The seat tab should be aligned with the lever. Push in, to lock (Fig. 8b).

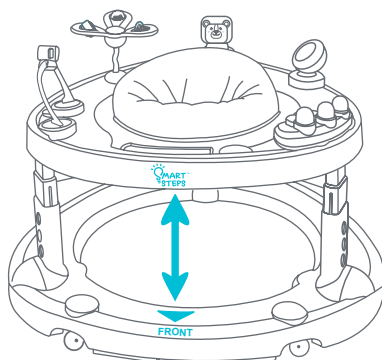


Fig. 8a

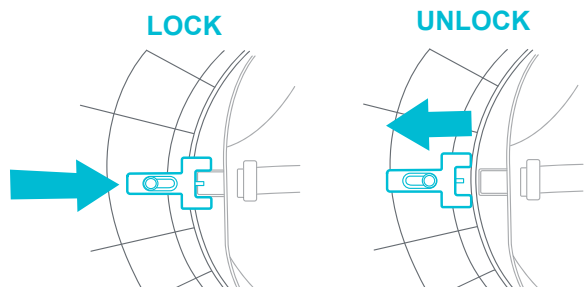


Fig. 8b

AIR BOUNCER ACTIVITY CENTER

- 9 • Tuck away the front and rear wheels before inserting. Reverse steps 6 & 7.
- Insert the Air Bouncer Board into the bottom platform (Fig. 9).
NOTE: Ensure to push down once it lays flat.

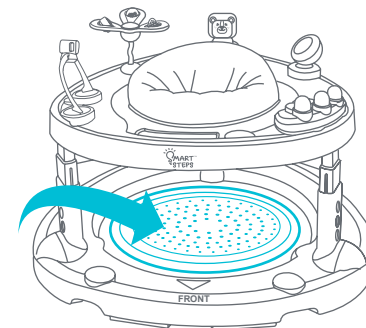


Fig. 9

STATIONARY ACTIVITY CENTER MODE

⚠️WARNING: For 4 months up to 30lb. use **ONLY**.

- 10 • **ATTENTION: MUST** remove the Air Bouncer Board and Tuck wheels in to set into "Stationary" Mode.
- Tuck in the wheels, refer to steps 6 & 7.
- To remove, gently lift the walker up, and remove the Air Bouncer Board (Fig. 10).

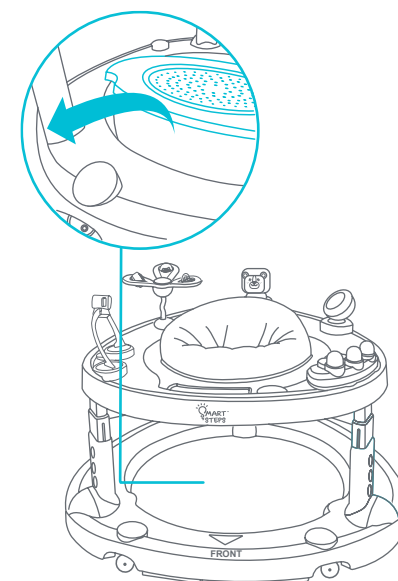


Fig. 10

DISASSEMBLING THE ACTIVITY CENTER

Ensure all the toys are removed from the tabletop before disassembling.

- 11 • **SEAT REMOVAL:**
To remove the seat, use the edge of the seat to lift it off the tabletop (Fig. 11a).

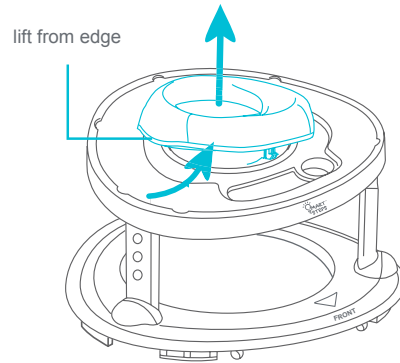


Fig. 11a

- Ensure all the toys are removed, and the seat.

- **TABLETOP:**
To remove, push the 3 pins located on each table leg (Fig. 11b). Repeat the process for the other table legs.

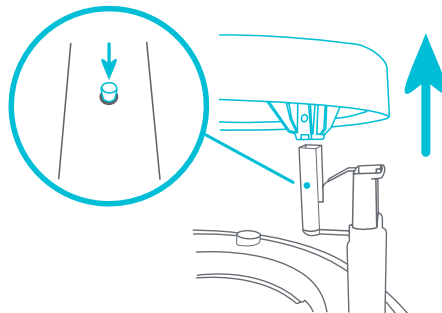


Fig. 11b

- **3 TABLE LEGS:**
To remove, locate the tab underneath the base. Pull the tab towards you and remove the leg (Fig. 11c). Repeat for the other sides.

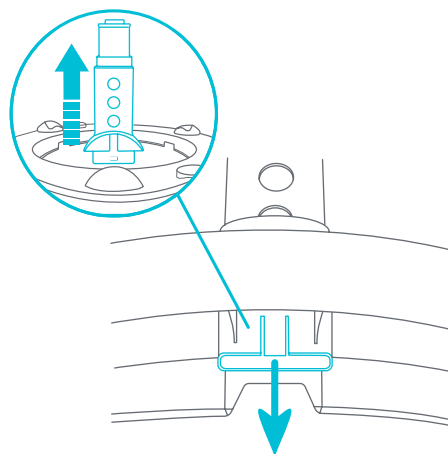


Fig. 11c

SEAT FABRIC

DO NOT MACHINE WASH. For metal and plastic parts, use only lukewarm water and mild soap.

- 12 • To remove the seat fabric for maintenance, pull out all the plates from the tab on the seat base (Fig. 12a).
- To reattach the fabric, insert the warning label side towards the backrest of the seat base. Fold the fabric over and insert the rear center plate into the tab. Continue to connect all plates around the seat base tabs. All plates and tabs must be secured before use (Fig. 12b).

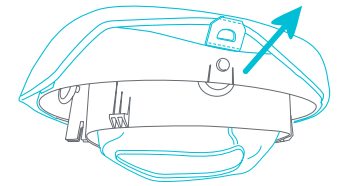


Fig. 12a

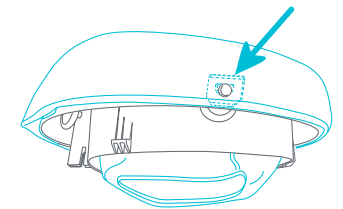
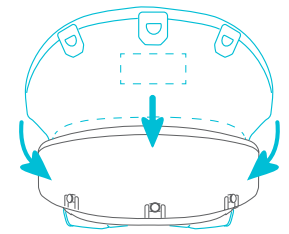


Fig. 12b

STOPPER REPLACEMENT

For replacement, if lost or damaged **ONLY**.

- 13 • The Stoppers are there for Stair Safety reasons, do **NOT** remove the stoppers unless for replacement purposes.
- **REMOVAL:** To remove, pull out the stopper (Fig. 13a).
- **REATTACH:** Push the stopper into the housing completely (Fig. 13b). Ensure to apply enough pressure when inserting the stoppers.

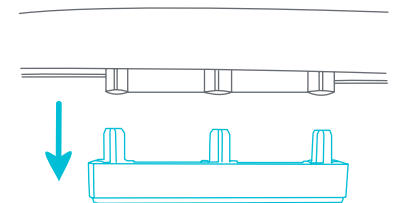


Fig. 13a

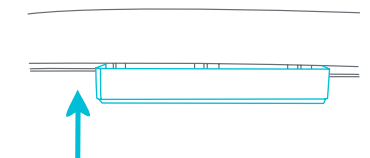


Fig. 13b

WHEEL REPLACEMENT

- 14 • **REMOVAL:** (1) Pull the small tab away from the pin. (2) Pull the pin out of the slots (Fig. 14a).

NOTE: May require a screwdriver to completely remove the pin.

- Release the wheel from the housing (Fig. 14b). Repeat for the other sides.

RE-INSTALL: To re-attach the wheels, reverse the steps above. Ensure the holes on the wheels are aligned with the holes on the base (Fig. 14c).

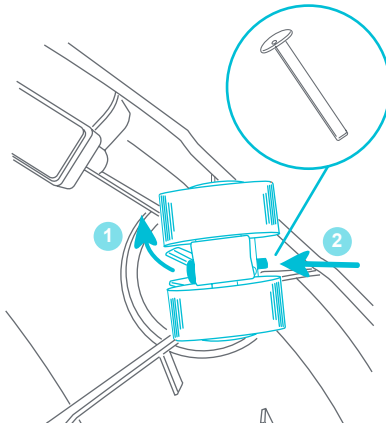


Fig. 14a

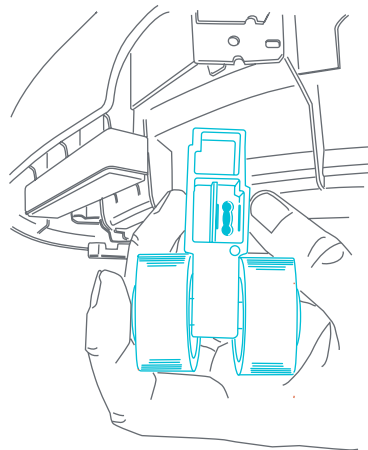


Fig. 14b

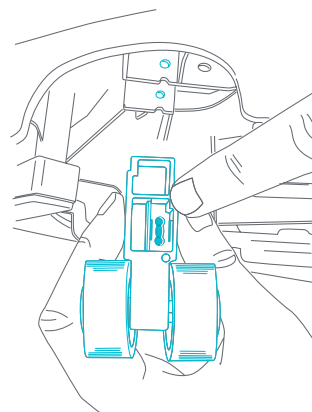


Fig. 14c

FCC Statement

This device complies with Part 15 of the FCC rules. Operation is subject to the following two conditions:

- 1 this device may not cause harmful interference, and
- 2 this device must accept any interference received, including interference that may cause undesired operation.

⚠ WARNING: Changes or modifications to this unit not expressly approved by the party responsible for compliance could void the user's authority to operate the equipment.

NOTE: This equipment has been tested and found to comply with the limits for a Class B digital device, pursuant to Part 15 of the FCC Rules. These limits are designed to provide reasonable protection against harmful interference in a residential installation. This equipment generates, uses and can radiate radio frequency energy and, if not installed and used in accordance with the instructions, may cause harmful interference to radio communications.

However, there is no guarantee that interference will not occur in a particular installation. If this equipment does cause harmful interference to radio or television reception, which can be determined by turning the equipment off and on, the user is encouraged to try to correct the interference by one or more of the following measures:

- Reorient or relocate the receiving antenna.
- Increase the separation between the equipment and receiver.
- Connect the equipment into an outlet on a circuit different from that to which the receiver is connected.
- Consult the dealer or an experienced radio/TV technician for help.

PATAS DE MESA

- Inserte cada pata en la base hasta que esté bien sujeta (Fig. 1a).
 - Inserte la tapa superior en las tres patas tres patas (Fig. 1b).
 - NOTA:** Asegúrese de que cada pasador encaje en su posición y asegure todas las patas en su lugar.
 - Procure alinear el logotipo de la bandeja de la tapa superior con la base que diga “FRENTE” (Fig. 1c).

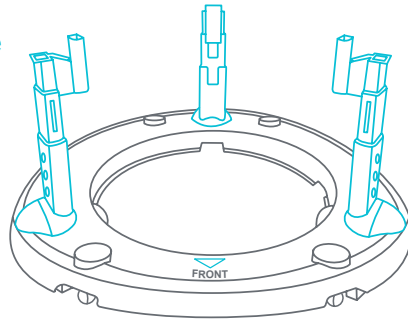
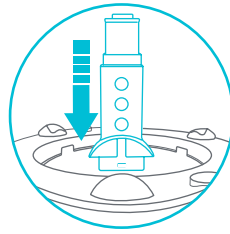


Fig. 1a

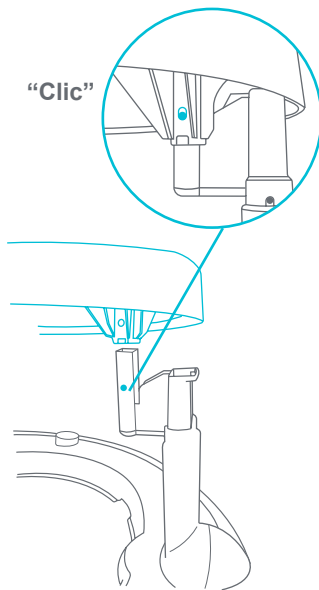


Fig. 1b

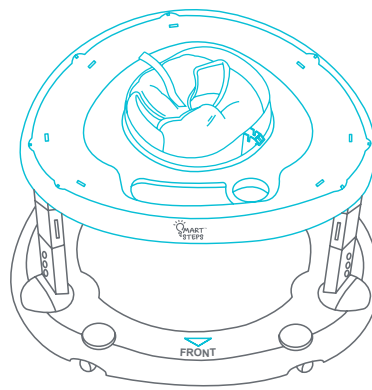


Fig. 1c

MODO ASIENTO GIRATORIO

- Empuje las pestañas hacia adentro para separar el asiento de la placa superior antes de ensamblar (Fig. 2a).
 - Alinee el asiento con la abertura del centro y presione con fuerza. El asiento debe fijarse por completo en la tapa superior (Fig. 2b).
 - NOTA:** Gire el asiento para asegurarse de que la función giratoria funciona.
 - Para ajustar la correa del asiento, tírela hacia arriba para tensarla. Gire el gancho para soltar el asiento (Fig. 2c).

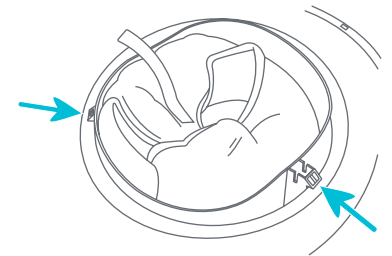


Fig. 2a

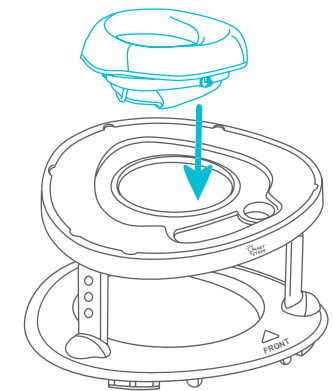


Fig. 2b

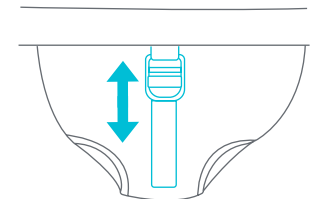


Fig. 2c

INSTRUCCIONES PARA LAS PILAS

- 3 • El juguete de león lleva 2 pilas AAA. Consulte (Fig. 3) para conocer la instalación de las pilas. Desatornille la tapa de las pilas y retírela. Coloque las pilas como se indica. Asegure la puerta de la batería con un tornillo.

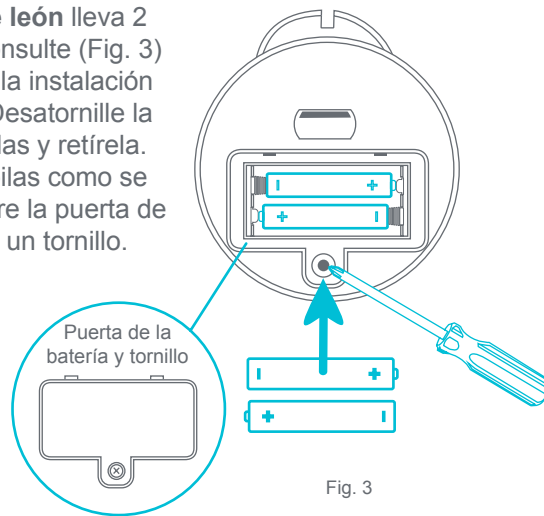


Fig. 3

⚠️ ADVERTENCIA:

- Necesita dos pilas AAA (LR03) (no están incluidas) para el funcionamiento del juguete.
- Las pilas que no son recargables no deben cargarse. No deben mezclarse los diferentes tipos de pilas o pilas nuevas y usadas. Las pilas deben colocarse con la polaridad correcta.
- Debe retirar las pilas gastadas del juguete.
- Las terminales de alimentación no están en cortocircuito.
- Debe retirar las pilas recargables del juguete antes de empezar a cargarlas.
- La recarga de pilas debe realizarse solo bajo supervisión de un adulto.

POSICIONES DE ALTURA

IMPORTANTE: Nunca cambie la altura si el bebé está en el andador.

- 4 • Para ajustar la(s) posición(es) de altura, oprima el botón en la pata de la tabla hasta lograr la posición deseada. Repita para los otros lados.

NOTA: Cada pierna tiene 3 niveles de altura ajustables. **SIEMPRE** ajuste las 3 patas al mismo nivel (Fig. 4).

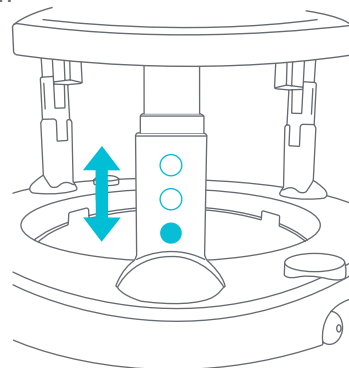


Fig. 4

ACCESORIOS DEL JUGUETE

- 5 • Coloque los juguetes en este orden como se muestra. Los juguetes deben estar correctamente sujetos antes de su uso (Fig. 5a).

NOTA: SÓLO los juguetes independientes de flores, leones y espejos son intercambiables.

- Todos los juguetes deben estar alineados con sus cajas de lengüetas individual o dobles en la bandeja del centro de actividades (Fig. 5b). Alinee la base para juguetes con la tapa superior. Desde abajo de la tapa superior, empuje la traba hacia arriba y gírela hacia la izquierda para trabar.

- Utilice el diagrama para fijar los juguetes en la tapa superior. (1) Empuje la lengüeta hacia arriba y gírela hacia la izquierda para trabar. (2) Gire la lengüeta hacia la derecha para destrabar el juguete. (3) Siempre coloque la traba de la lengüeta pequeña en la tapa superior cuando no se utilice (Fig. 5c).

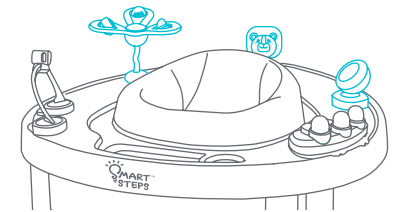


Fig. 5a

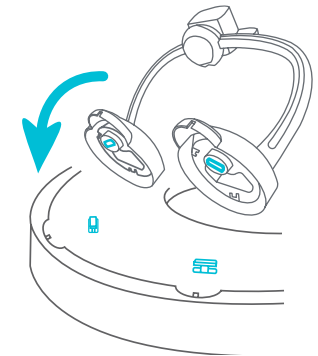
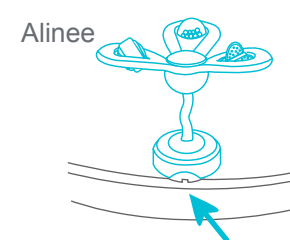
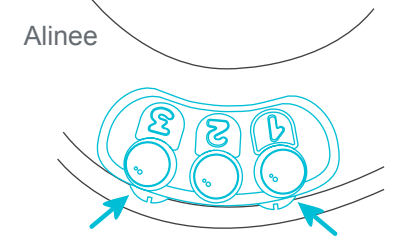


Fig. 5b



Alinee



Alinee

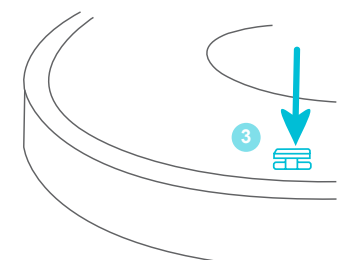
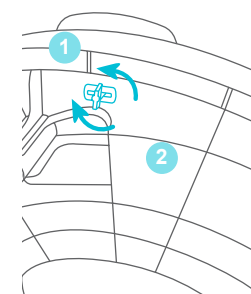


Fig. 5c

RUEDAS DELANTERAS

Este producto se convierte en **(3) Modos**: modo caminante, saltador de aire modo, y modo de centro de actividades. Consulte las páginas 26-25 para utilizar los diferentes modos.

- 6 • Ubique las dos ruedas delanteras debajo de la base como se muestra en el diagrama (Fig. 6a).
- Tire de la rueda hacia afuera desde la base y enderece la rueda (Fig. 6b).
- Tire de la rueda hacia arriba hasta que haga clic en la base (Fig. 6c). Repita por el otro lado.

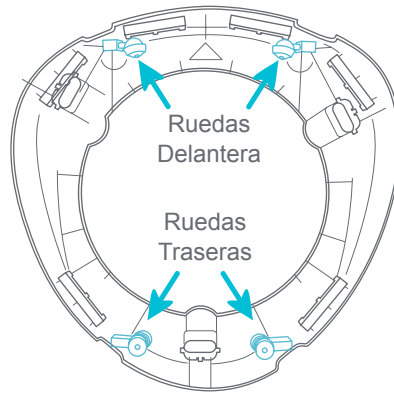


Fig. 6a

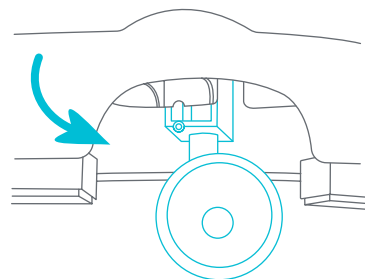
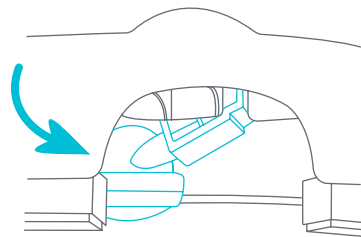
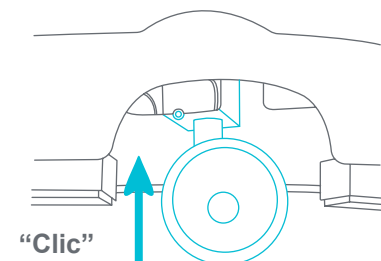


Fig. 6b



“Clic”

Fig. 6c

RUEDAS TRASERAS

- 7 • Localice las dos ruedas traseras en el diagrama (Fig. 6a).
- Tire de la rueda hacia afuera desde la base y enderece la rueda (Fig. 7a).
- Tire de la rueda hacia arriba hasta que haga clic en la base (Fig. 7b). Repita por el otro lado.
- **REMOCIÓN:** Para desplegar las ruedas, tire de la rueda hacia afuera desde la base y revierta los pasos anteriores. Repita por el otro lado. Repita por el otro lado.

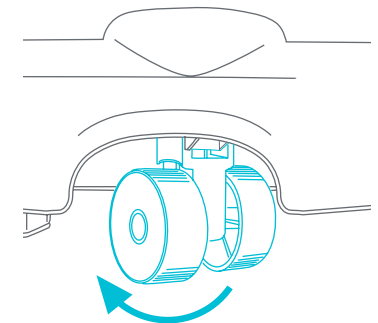
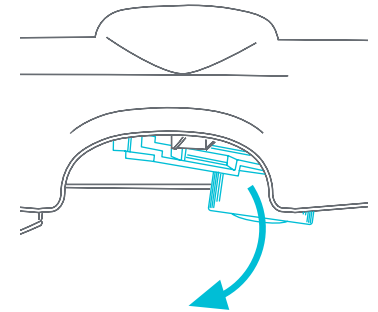
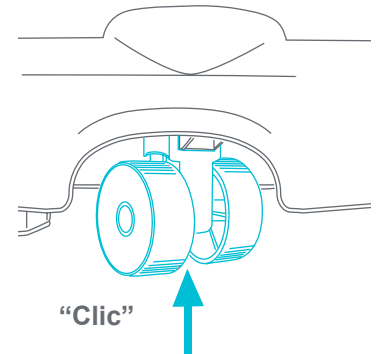


Fig. 7a



“Clic”

Fig. 7b

MODULO CAMINANTE

⚠️ ADVERTENCIA: Durante 4 meses hasta 30lb. usar solamente.

SIEMPRE asegúrese de bloquear el asiento antes de usar el modo andador. Consulte la Fig. 8b correspondiente.

- 8 • **ATENCIÓN: DEBE** quitar la placa del domo.
 - Para usar las ruedas, consulte los pasos 6 & 7.
 - Asegúrese de que el asiento esté alineado con la bandeja frontal y el frente de la base (Fig. 8a).
 - **BLOQUEO DEL ASIENTO GIRATORIO EN LA POSICIÓN DELANTERA:** Para trabar el asiento en su lugar, ubique la palanca debajo de la tapa superior. La lengüeta del asiento debe estar alineada con la palanca. Presione para trabarlo (Fig. 8b).

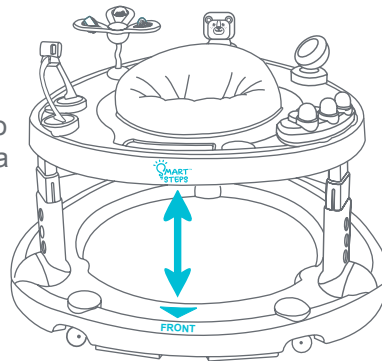
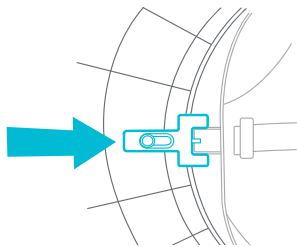


Fig. 8a

CERRADURA



ABRIR CERRADURA

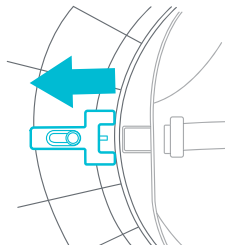


Fig. 8b

MODULO DE CENTRO DE ACTIVIDAD DE BOUNCER DE AIRE

- 9 • Quite las ruedas delanteras y traseras antes de insertar. Invierta los pasos 6 y 7.
- Inserta la Tablero de rebote de aire en la plataforma inferior (Fig. 9). **NOTA:** Asegúrese de empujar hacia abajo una vez que esté plano.

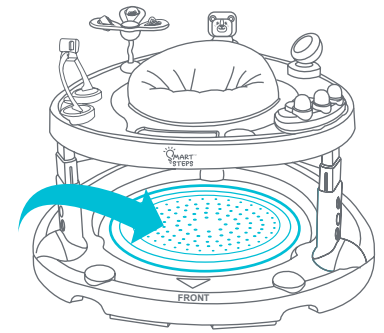


Fig. 9

MODULO DE CENTRO DE ACTIVIDADES ESTACIONARIO

⚠️ ADVERTENCIA: Durante 4 meses hasta 30lb. usar solamente.

- 10 • **ATENCIÓN: DEBE** quitar base para bailar en puntas de pie y meta las ruedas para ponerlas en el modo "estacionario".
- Para quitar las ruedas, consulte los pasos 6 y 7.
- Para quitarlo, levante suavemente el andador y retire la Tablero de rebote de aire (Fig. 10).

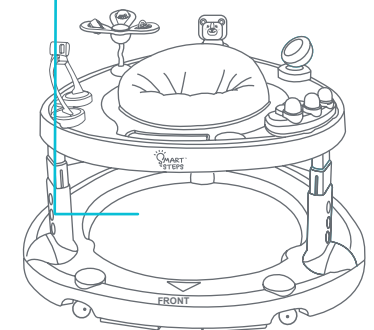
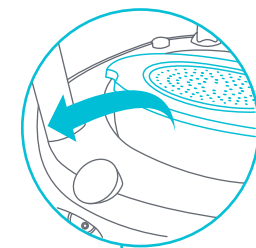


Fig. 10

DESMONTAJE DEL CENTRO DE ACTIVIDADES

Asegúrese de que todos los juguetes se retiren de la mesa antes de desmontar.

- 11 • **EXTRACCIÓN DEL ASIENTO:** Para extraer el asiento, use el borde del asiento para despegarlo de la tapa superior (Fig. 11a).

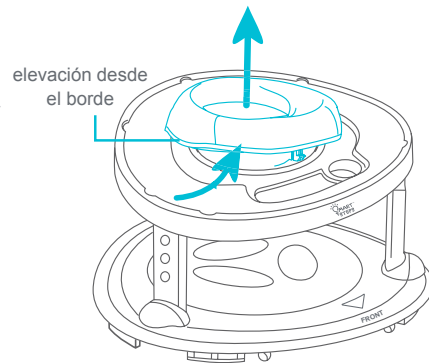


Fig. 11a

- Procure retirar todos los juguetes y el asiento.

- **TAPA SUPERIOR:** Para retirarla, presione las 3 chavetas ubicadas en cada pata de la mesa (Fig. 11b). Repite el proceso con las otras patas de la mesa.

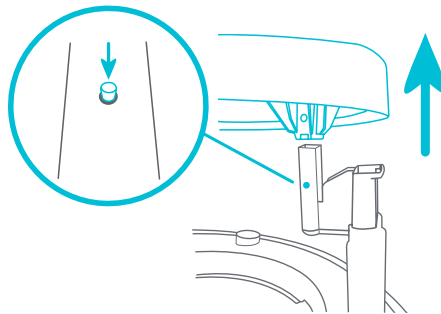


Fig. 11b

- **PATAS DE MESA:** Para retirarla, ubique la lengüeta debajo de la base. Tire de la lengüeta hacia usted y retire la pata (Fig. 11c). Repita para los otros lados.

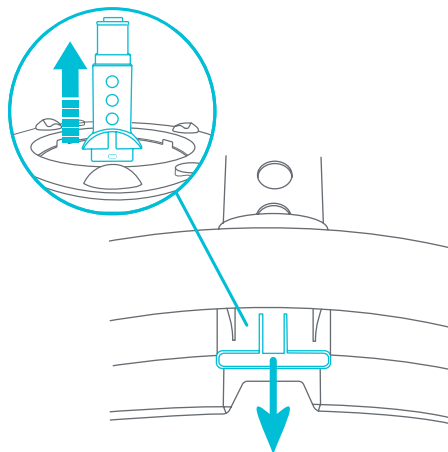


Fig. 11c

TELA DEL ASIENTO

NO LAVAR EN MÁQUINA .

Para lavar partes de plástico o metal, use solo agua tibia y jabón neutro.

- 12 • Para extraer la tela del asiento para acondicionarlo, retire todas las hebillas de la lengüeta en la base del asiento (Fig. 12a).

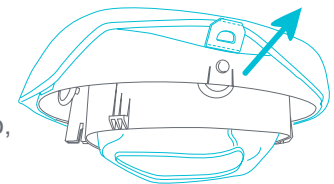


Fig. 12a

- Para volver a colocarla, coloque el lado de la etiqueta de advertencia hacia el respaldo de la base del asiento. Pliegue la tela y coloque la hebilla central trasera en la lengüeta. Conecte todas las hebillas alrededor de las lengüetas de la base del asiento. Se deben asegurar todas las lengüetas y hebillas antes de usar el producto (Fig. 12b).

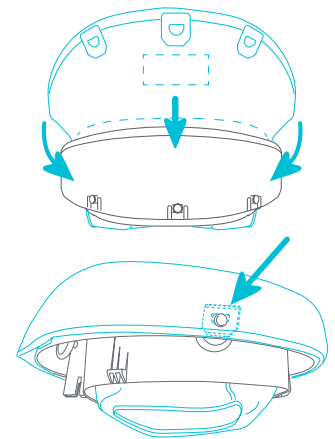


Fig. 12b

REMOCIÓN TAPONES DE GOMA

Para reemplazo, si se pierde o daña **SOLAMENTE**.

- 13 • Los tapones están ahí por razones de seguridad en las escaleras, **NO** quite los tapones a menos que sea para reemplazarlos.

- **REMOCIÓN:** Para quitar, saque el tapón (Fig. 13a).

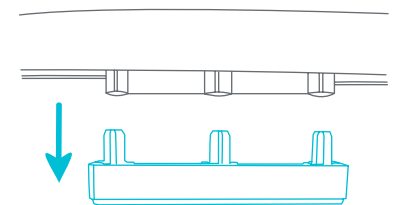


Fig. 13a

- **REINSTALAR:** Empuje el tope en la carcasa completamente (Fig. 13b). Asegúrese de aplicar suficiente presión al insertar los tapones.

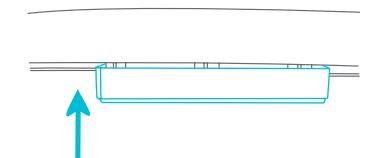


Fig. 13b

REEMPLAZO DE RUEDAS

- 14 • **REMOCIÓN:** (1) Retire la pequeña lengüeta de la chaveta. (2) Saque el pasador de la ranura (Fig. 14a).

NOTA: Puede requerir un destornillador para quitar completamente el pasador.

- Soltar la rueda de la carcasa (Fig. 14b). Repita para los otros lados.

REINSTALAR: Para volver a colocar las ruedas, invierta los pasos anteriores. Asegúrese de que los orificios de las ruedas estén alineados con el cubo de la base (Fig. 14c).

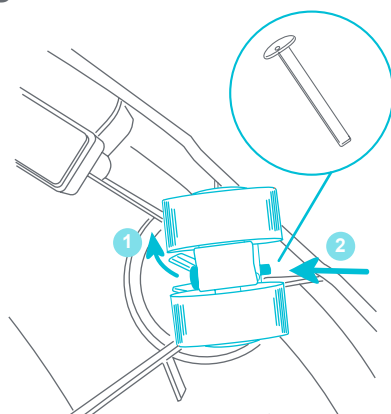


Fig. 14a

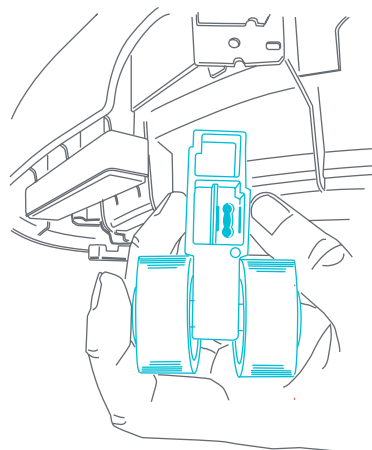


Fig. 14b

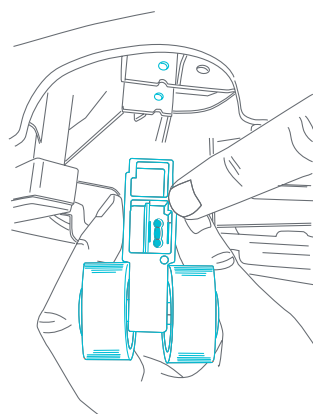


Fig. 14c

Declaración de la FCC

Este dispositivo cumple con las normas de la Parte 15 de la Comisión Federal de Comunicaciones (FCC). El funcionamiento está sujeto a las siguientes dos condiciones:

- 1 este dispositivo no puede producir interferencias perjudiciales y
- 2 este dispositivo debe aceptar cualquier interferencia que reciba, incluyendo las que puedan provocar un funcionamiento no deseado.

⚠ ADVERTENCIA: Los cambios o modificaciones realizados a esta unidad, sin la aprobación expresa de la parte responsable del cumplimiento, podrían invalidar la autorización del usuario para operar el equipo.

NOTA: este equipo ha sido probado y se ha encontrado que cumple con los límites de dispositivos digitales de Clase B, de conformidad con las Normas de la Parte 15 de la FCC. Estos límites han sido establecidos para brindar una protección razonable contra interferencias perjudiciales en una instalación residencial. Este equipo genera, utiliza y puede irradiar frecuencias de radio y, de no instalarse y utilizarse de conformidad con las instrucciones, podría causar interferencias perjudiciales en las comunicaciones de radio.

Sin embargo, no es posible garantizar que en una determinada instalación no se producirán interferencias. Si este dispositivo provoca interferencias dañinas a la recepción de radio o televisión, cuestión que puede determinarse encendiendo y apagando el dispositivo, se insta al usuario a que intente corregir la interferencia realizando uno o más de los procedimientos siguientes:

- Vuelva a orientar o colocar la antena de recepción.
- Aumente la separación entre el dispositivo y el receptor.
- Conecte el dispositivo a una toma de corriente diferente a la que se encuentra conectado el receptor.
- Consulte al distribuidor o a un técnico de radio o TV experimentado para pedirle ayuda.