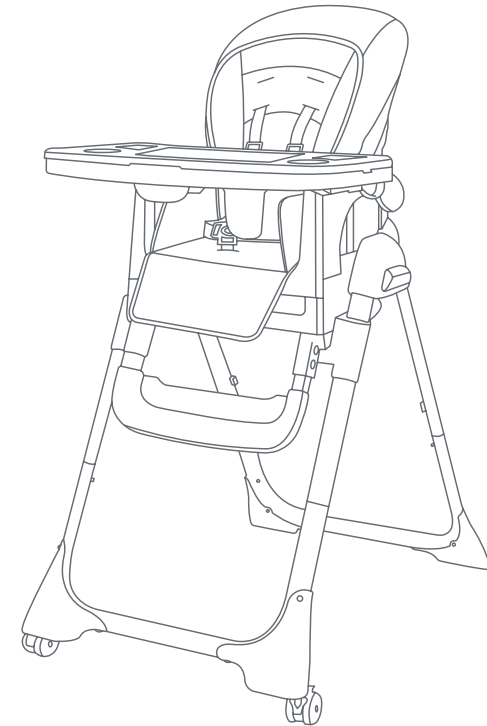


Read all instructions BEFORE assembly and USE of product.
KEEP INSTRUCTIONS FOR FUTURE USE.
Lisez toutes les instructions du manuel AVANT l'assemblage ou
L'UTILISATION de ce produit. CONSERVEZ CES INSTRUCTIONS
POUR RÉFÉRENCE ULTÉRIEURE.

Everlast 7-in-1 High Chair



Instruction Manual
Manuel d'instruction

IC09XXX

 **babytrend**[®]
Quality • Comfort • Style

Baby Trend, Inc.
13048 Valley Blvd.
Fontana CA 92335

1-800-328-7363
(8:00 a.m. ~ 4:30 p.m. PST)
www.babytrend.com

 **babytrend**[®]
Quality • Comfort • Style



WARRANTY

DO NOT RETURN YOUR PRODUCT TO THE STORE. PLEASE CONTACT BABY TREND® FOR REPLACEMENT PARTS, SERVICE AND REPAIR.

The Baby Trend® warranty covers workmanship defects within 1 year of purchase. Any product which has been subjected to misuse, abuse, abnormal use, excessive wear and tear, improper assembly, negligence, environmental exposure, alteration or accident, or has had its serial number altered or removed invalidates all claims against the manufacturer. Any damage to property during installation is the sole responsibility of the end user.

Customer Service Department can be contacted at 1 (800) 328-7363 Monday through Friday between 8:00 a.m. and 4:30 p.m. (PST). Return Authorizations are required prior to returning product(s) to Baby Trend®. Please visit <http://babytrend.com/pages/limited-warranty> for complete warranty details.

GARANTIE

NE PAS RETOURNER VOTRE PRODUIT AU MAGASIN. VEUILLEZ CONTACTER BABY TREND® POUR DES PIÈCES DE RECHANGE, ENTRETIEN ET RÉPARATION.

La garantie Baby Trend® couvre les défauts de fabrication dans l'année qui suit l'achat. Tout produit ayant fait l'objet d'une mauvaise utilisation, d'un abus, d'une utilisation anormale, d'une usure excessive, d'un assemblage incorrect, d'une négligence, d'une exposition à l'environnement, d'une modification ou d'un accident, ou dont le numéro de série a été modifié ou retiré, annule toute réclamation contre le fabricant. Tout dommage matériel pendant l'installation est de la seule responsabilité de l'utilisateur final. Le service à la clientèle peut être contacté au 1 (800) 328-7363 du lundi au vendredi entre 8h00 et 16h30 (PST). Une autorisation de retour est requise avant de renvoyer le(s) produit(s) à

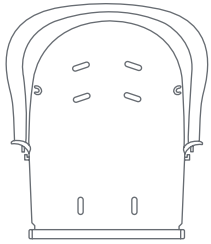
Baby Trend®. Veuillez visiter <http://babytrend.com/pages/limited-warranty> pour obtenir tous les détails concernant la garantie.

Baby Trend, Inc. 13048 Valley Blvd. Fontana CA 92335

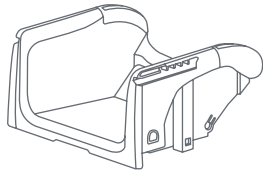
1-800-328-7363 • (8:00am ~ 4:30pm PST)

www.babytrend.com

Check that you have all the parts for this model before assembly.



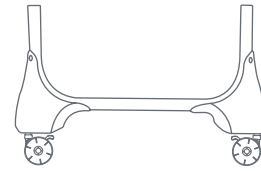
Seat Back



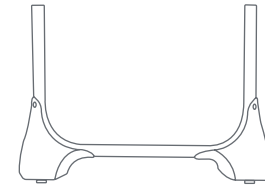
Seat Base



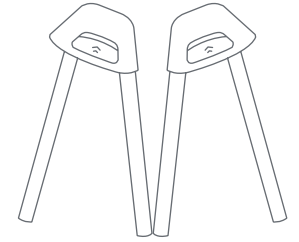
(2) Pins



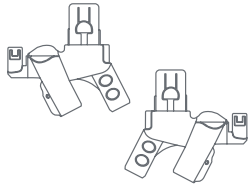
Front leg and wheels



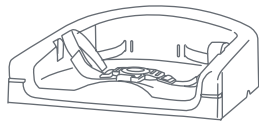
Rear Leg



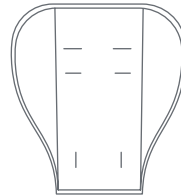
Right and Left Upper
Frame Assemblies



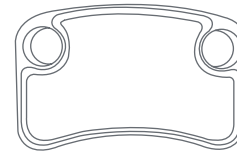
Height Brackets



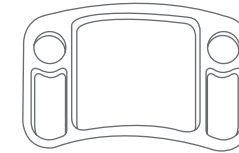
Youth Chair



Seat Insert



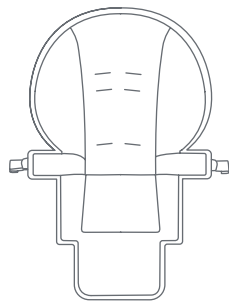
Tray



Tray Insert



Footrest



Seat Pad

 **WARNING:** Failure to follow these warnings and the instructions could result in serious injury or death.

 **FALL HAZARD:** Children have suffered severe head injuries including skull fractures when falling from high chairs. Falls can happen suddenly if child is not restrained properly.

Always use restraints, and adjust to fit snugly.


Tray is not designed to hold child in chair.

Stay near and watch child during use.

Never allow child to push away from table.

 **STRANGULATION HAZARD:**

Do not place High Chair in any location in where there are cords, such as a window blind cords, drapes, phone cords etc.

 **WARNING:** The child should be secured in the high chair at all times by the 5-point restraining system, either in the reclining, semi-reclining or upright position. The tray is not designed to hold the child in the chair. The highchair should be used only by children capable of sitting upright unassisted and at least 6 months of age. See page 19 for instructions on proper use of restraint system.

Other accessory items may change the balance of the high chair and cause hazardous unstable conditions. Be certain the high chair is fully erect and latched in the open position before allowing the child near the high chair.

This high chair is designed to be used by a child with a maximum weight of 45 lb, (20.41 kg).

The Youth Seat is designed to be used by a child with a maximum weight of 60 lb, (27.21 kg).

NEVER allow your high chair to be used as a toy. NEVER use this product if there are any loose or missing fasteners, loose joints, broken parts, or torn mesh/fabric. Check before assembly and periodically during use. Contact Baby Trend Customer Service at 1-800-328-7363 for replacement parts, repair or instructions. NEVER substitute parts.

BOOSTER SEAT TO CHAIR

⚠️ WARNING: Children have suffered head injuries, including skull fractures, after falling with or from booster seats.

Check that booster seat is securely attached to adult chair before each use.

ALWAYS use restraints until child is able to get in and out of booster seat without help (about 2 1/2 years old). Adjust to fit snugly.

NEVER allow child to push away from table.

NEVER lift and carry child in booster seat.

STAY NEAR and watch your child during use.

ALWAYS check security of fit to adult chair before each use and limitation of the product.

NEVER use this product on a stool or bench that does not have a seat back.

Maximum child weight for the toddler booster is 45 lb, (20.41 kg).

⚠️ WARNING: Prevent serious injury or death. Do not use in motor vehicles.

⚠️ WARNING: The tray is not designed to hold the child in the chair.

⚠️ WARNING: The booster seat should be used only by children capable of sitting upright unassisted and at least 6 months of age.

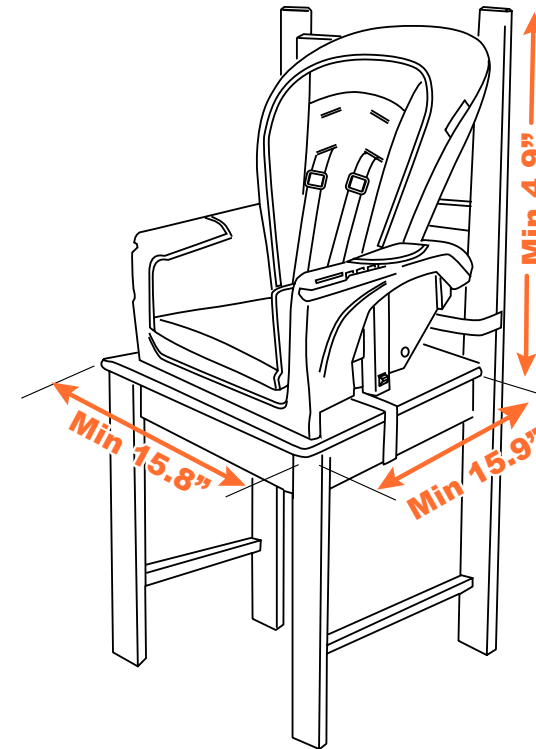
⚠️ WARNING: Always secure the booster seat on a chair using the bottom and back attachment straps. Never use this booster seat on a stool or bench that does not have a seat back.

ADULT CHAIR SIZE DIAGRAM:

Always follow the safe measurements below when using the booster seat on a chair.

Minimum adult chair size for Booster Seat : width: 15.8 inch, depth: 15.9 inch, backrest height: 4.9 inch.

NEVER lift this product with your child in it.



IMPORTANT! To ensure safe operation of your product, please follow these instructions carefully. Please keep these instructions for future reference.

IMPORTANT! Before assembly and each use, inspect this product for damaged hardware, loose joints, missing parts or sharp edges. NEVER use if any parts are missing or broken.

IMPORTANT! Adult assembly is required.

IMPORTANT! Always check that the high chair is locked in the open position before using.

TO REMOVE YOUTH SEAT FROM THE SEAT BASE

- 1) • **(1)** First, disassemble the seat base from the youth chair by squeezing the release button located underneath the seat **(2)** and lift up to remove (Fig. 1a).

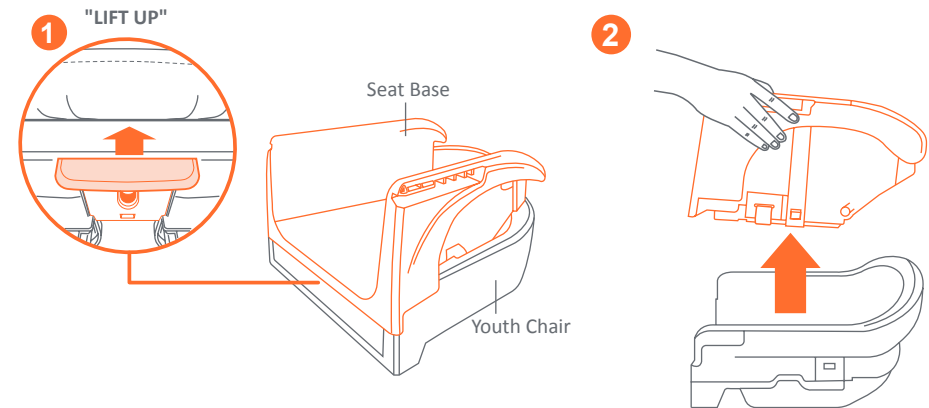


Fig. 1a

TO ASSEMBLE YOUTH SEAT

Locate the Height Brackets, Upper frames, front legs and rear legs (Fig. 1b).

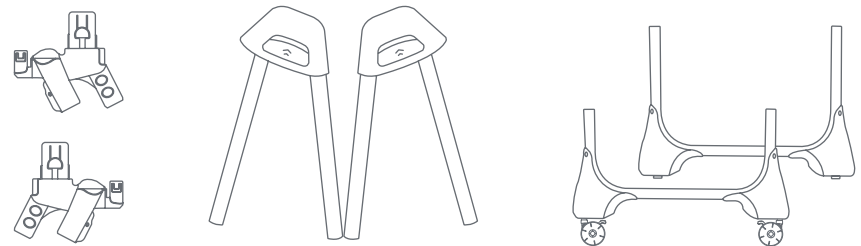


Fig. 1b

- 2) • Insert the left and right sides' Height bracket into the front tube of the Upper Frame Assembly as shown in (Fig. 2a).

NOTE: The front tube is easily distinguished from the rear tube by the array of holes located on the backside of the front tube.

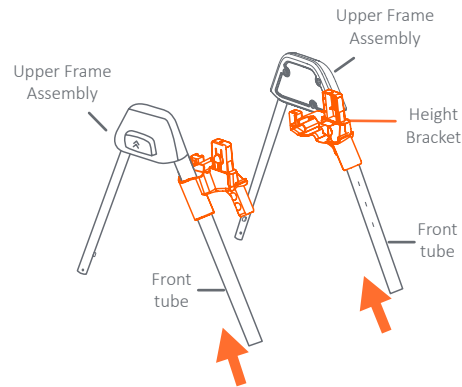


Fig. 2a

- Squeeze the Release Handles on both sides simultaneously and push the tube through the Height Adjusters until it locks in the highest position (Fig. 2b).

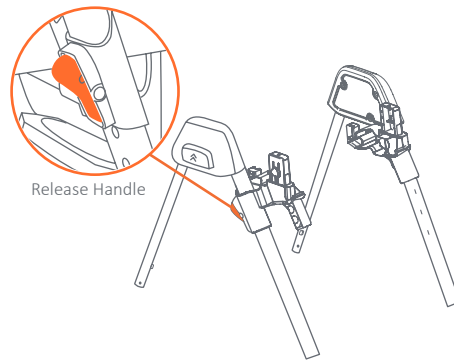


Fig. 2b

- 3) • Insert the Legs into the ends of the front tube of both the right and left Upper Frame Assemblies (Fig. 3a).

NOTE: Legs are properly connected when the lock buttons are lined up with the holes on the ends of the Upper Frame Assemblies. Make sure the lock buttons are engaged before use.

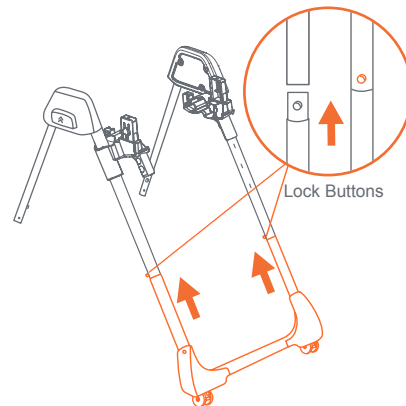


Fig. 3

- 4) • Insert another Leg into the ends of the rear tube of both the right and left Upper Frame Assemblies (Fig. 4a).

NOTE: Legs are properly connected when the lock buttons are lined up with the holes on the ends of the Upper Frame Assemblies. Make sure the lock buttons are engaged before use.

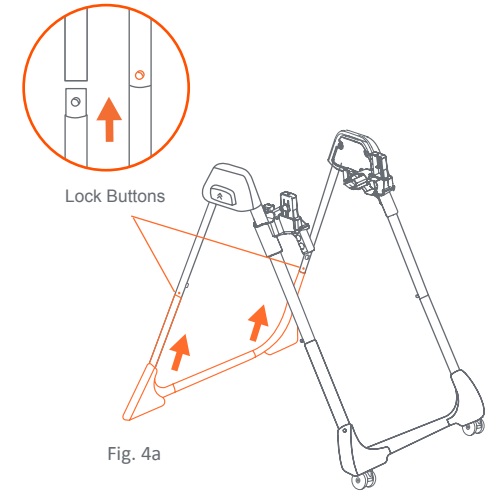


Fig. 4a

- To lock the wheel press the latch down. To unlock lift the latch (Fig. 4b).

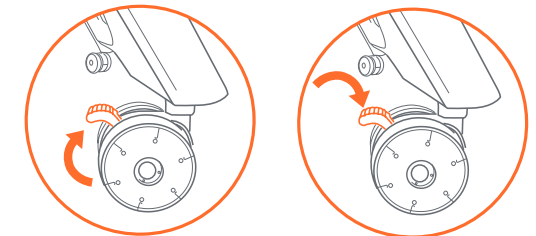


Fig. 4b

- Align the Youth Seat into the Height Brackets. Ensure the brackets are locked into the Youth Seat (Fig. 5).

NOTE: Youth Seat can not be removed from the frame.

- Slide the Footrest into the Height Bracket (Fig. 6). Lock Footrest into place.

NOTE: Adjust the height of the footrest by squeezing both tabs simultaneously and lift up. Push both tabs and pull for removal (Fig. 6).

ATTENTION:

The youth seat must be connected to the frame facing the forward direction ONLY. **DO NOT** remove with child in the seat.

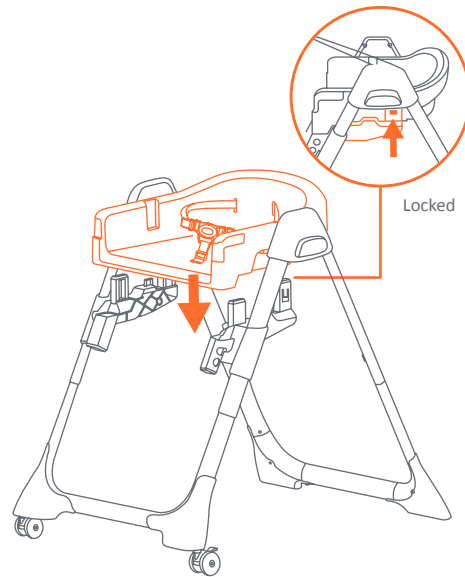


Fig. 5

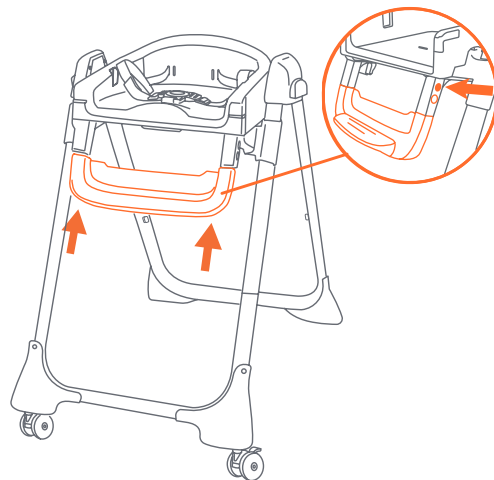


Fig. 6

TO ASSEMBLE BOOSTER SEAT

- Insert metal tabs (1) and (2) directly into the seat base slot until it secures into place. Ensure the backrest sits in the base correctly (Fig. 7a).

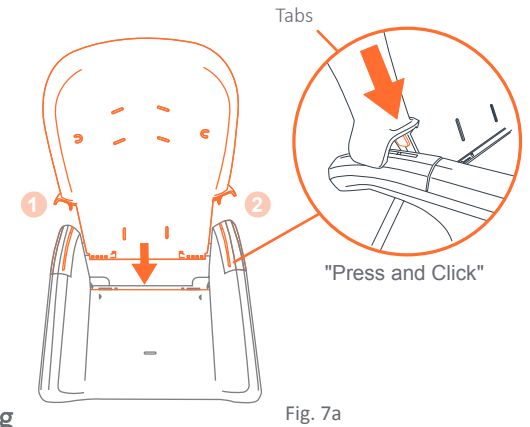


Fig. 7a

- Important Pin Set Up: The backrest must be in the most upright position before inserting the pins (Fig. 7b).

- Press Pins In: Ensure the seat parts latched together in the upright position. Insert the pin all the way into each side of the seat base and test the recline feature (Fig. 7c). **CAUTION: DO NOT** push pin into the base only. Must catch base and backrest (Fig. 7d).

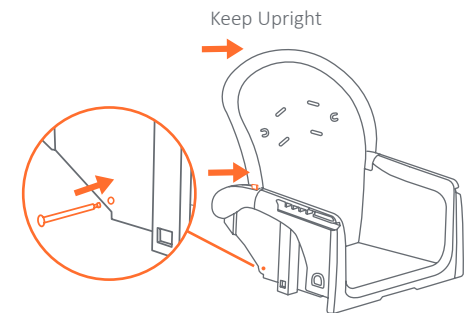


Fig. 7b

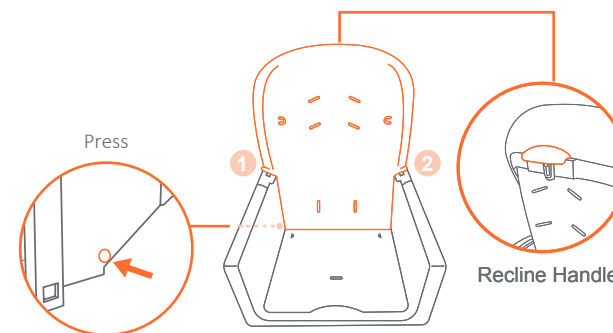


Fig. 7c

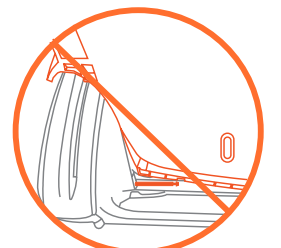


Fig. 5d

- 8) • Loop the flap on the back of the pad over the top of the Seat Back. Connect the Seat Pad to the Seat Back with the two Elastic Loops. These fit over the Attachment Tabs located near the top harness slots (Fig. 8a).
- Attach the bottom of Seat Pad to the Seat Base with the two Elastic loops located at the rear of the bottom of the Seat Pad. These fit over the Attachment Tabs located on the Seat Base near where the Seat Back and Seat Base Join (Fig. 8b).
- Attach each anchor hook of the Seat Pad to the side of the seat armrest (Fig. 8c). Ensure that the slot of the anchor hook slides through the under side division (Fig. 8d).

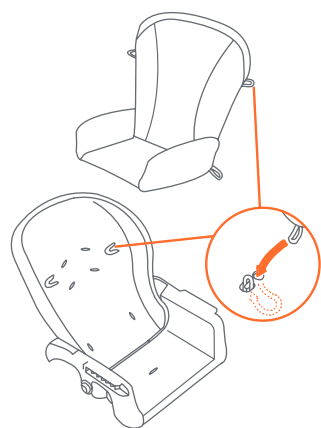


Fig. 8a

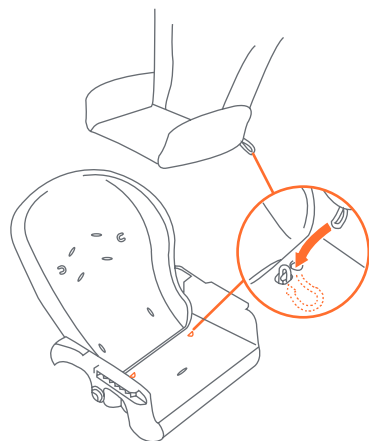


Fig. 8b



Fig. 8c

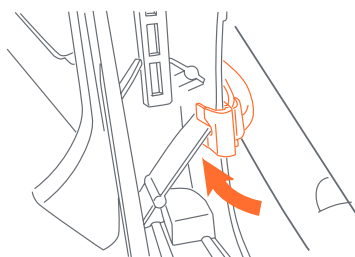


Fig. 8d

BOOSTER SEAT ATTACHMENT

- 9) • Align the Seat Base into the Youth Seat connections. Ensure both connections click into position (Fig. 9a).
NOTE: Check secured properly by gently pulling up on the Booster Seat and checking the tabs.
- Squeeze the release under the seat and lift up for removal (Fig. 9b).

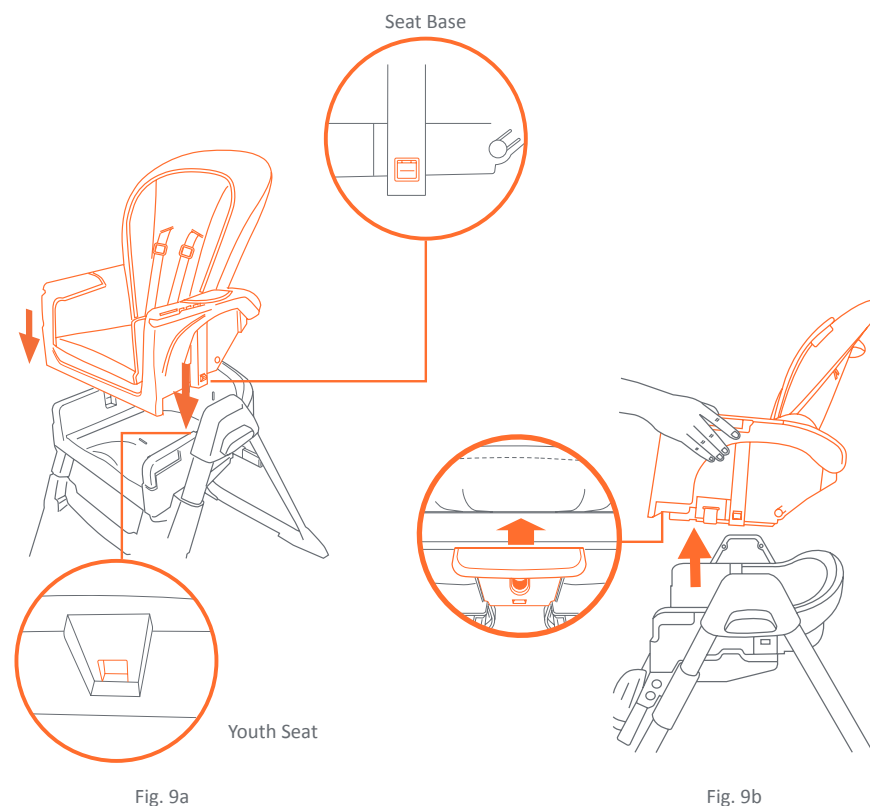


Fig. 9a

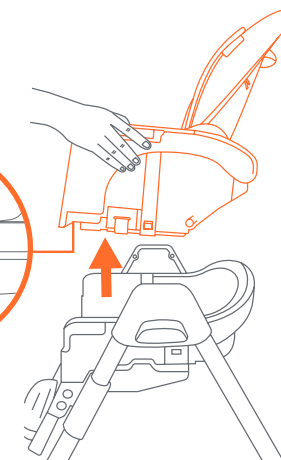


Fig. 9b

Always adjust the seat back to the most upright position before attaching.

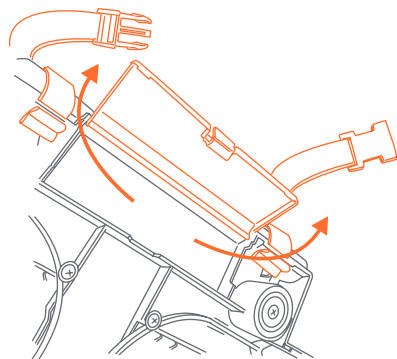
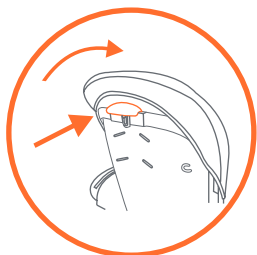


Fig. 9c

- (3) Tighten the Booster Seat onto the chair (Fig. 9f).
- Check that the Booster is tightly installed by attempting to move the Booster Seat from side-to-side and up. The Booster Seat should not move more than 1 inch.

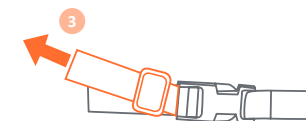


Fig. 9f

- To attach to the chair use the seat back straps located underneath the seat compartment (Fig. 9c).
- Use the seat bottom straps located underneath the seat slot compartments (Fig. 9d).
- Set on chair with seat back and no armrests. Make sure there are not extra padding or cushions on the chair.
- (1) Wrap the back straps around the back of the chair. Buckle the straps making sure you hear the buckle "click" closed. (Fig. 9e).
- (2) Wrap bottom straps around the bottom of the chair. Buckle the straps making sure you hear buckle "click" closed (Fig. 9e).

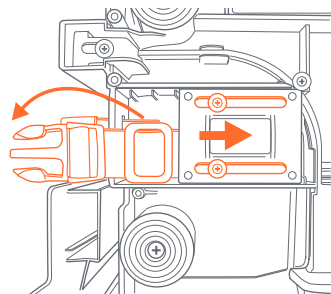


Fig. 9d

TO REMOVE BOOSTER SEAT FROM CHAIR

- Unbuckle all straps (Fig. 9g). Turn Booster Seat over and store straps away in each compartment (Fig. 9h). **NOTE: Close each compartment.**

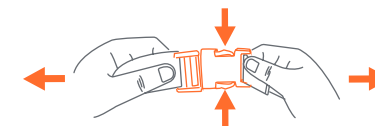


Fig. 9g

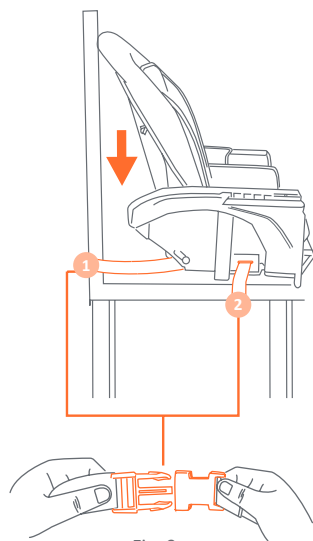
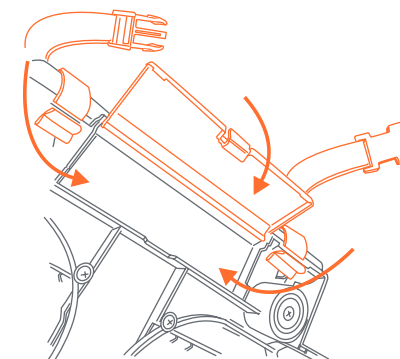


Fig. 9e

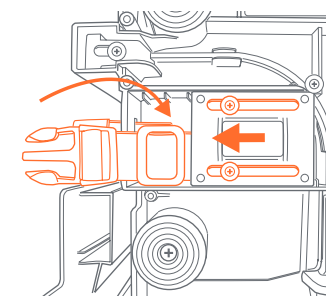


Fig. 9h

TO ATTACH TRAY

- ⚠️ **WARNING:** Always check that the high chair is locked in the open position before using.
- ⚠️ **WARNING:** The tray is not designed to hold the child in the chair. The child should be secured in the high chair at all times by the 5-point restraining system, either in the reclining, semi-reclining or upright position. Stay near and watch child during use. Never leave child unattended.

10) • To attach the Tray, squeeze the release handle located underneath the tray and firmly press into the positioning slots (Fig. 10a).

- The Tray has a 4-position adjustment. To adjust the position, squeeze the Tray's release handle located underneath the tray and reposition the tray to the desired position (Fig. 10b). Release the Tray's handle. Check that the Tray is securely locked in its new position.

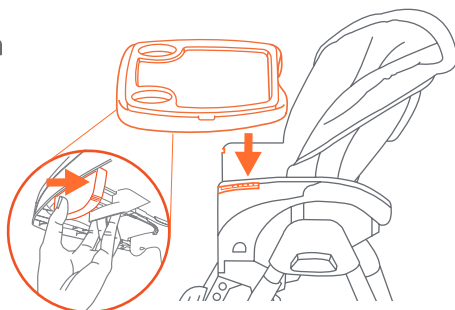
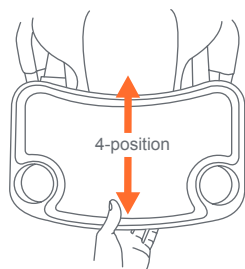


Fig. 10a



Tray Release located underneath tray

Fig. 10b

TO ATTACH TRAY INSERT

- 11) • The dishwasher safe food Tray Insert snaps onto the High Chair Tray and is held in place by tabs on the sides of the Tray. When installing the Tray Insert make sure that it snaps into place to prevent the child from removing the Tray Insert. To remove Insert, unsnap the tabs from the Tray (Fig. 11a).
- The Tray may be stored on the back legs of the High Chair. Align the holes in the rear of the tray with the small pegs on the back legs (Fig. 11b). **NOTE:** To remove, lift the tray.

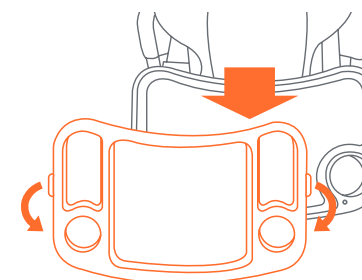


Fig. 11a

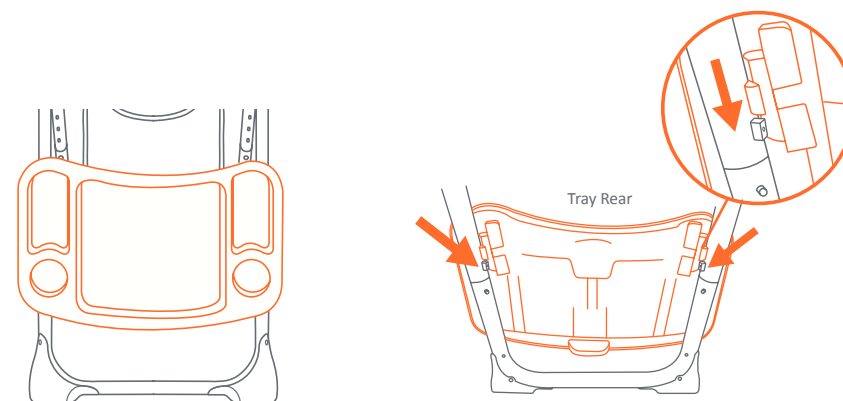


Fig. 11b

TO USE SAFETY BELT

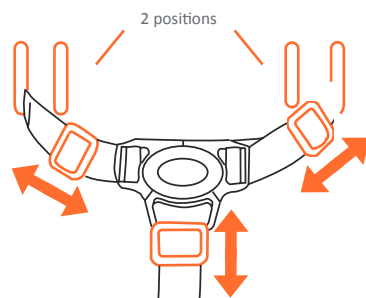
⚠️ WARNING: The highchair should be used only by children capable of sitting upright unassisted and at least 6 months of age.

⚠️ WARNING: Prevent serious injury or death from falls or sliding out. Always use the restraint system. The child should be secured in the high chair at all times by the 3-point / 5-point restraining system, either in the reclining, semi-reclining or upright position.

12) • **3-point harness:** Place the crotch strap between your child's legs. Insert the Harness Buckles into the Center Clasp with the Button.

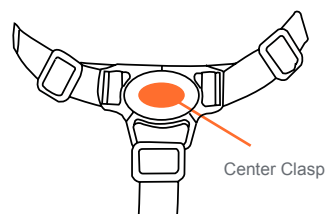
- Adjust waist straps for your child's comfort and safety by sliding buckles in either direction. Safety straps are to fit snug around your child (Fig. 12).

- The straps of the 3-point harness have 2 attachment positions. To adjust the straps, select the slot that best fits your child. Refer to (Fig. 12).



Adjust for a snug fit

Fig. 12



Center Clasp

Fig. 13

TO RELEASE SAFETY BELT

13) • Push Button on Center Clasp, the two Harness Buckles will pop free (Fig. 13).

14) • **5-point harness:** The shoulder straps of the 5-point harness have 2 attachment positions. Select the position that places the shoulder strap level with, or below, the top of the child's shoulders (Fig. 14a).

- Carefully place the child in the seat and position the safety harness around the child's waist and over the shoulders. Place the crotch strap between the child's legs. Insert the male end of each shoulder / waist belt into the buckle on the crotch strap. Tighten the harness to be snug around the child's waist and over the child's shoulders (Fig. 14b).

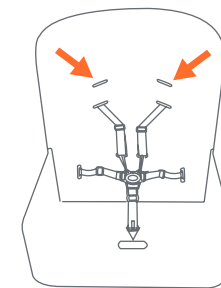
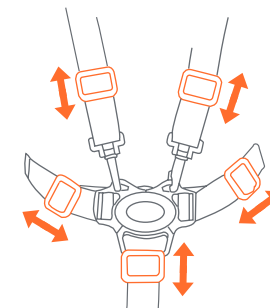


Fig. 14a

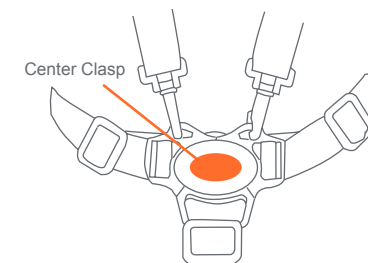


Adjust for a snug fit

Fig. 14b

TO RELEASE SAFETY BELT

15) • Push Button on Center Clasp, the two Harness Buckles will pop free (Fig. 15).



Center Clasp

Fig. 15

RECLINE SEAT

16) • Squeeze recline lever on back of the seat and adjust to the preferred recline or upright position (Fig. 16). Use caution not to trap arms, hands and fingers when adjusting recline positions.

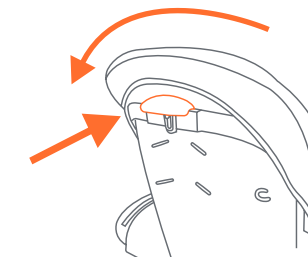


Fig. 16

TO ADJUST SEAT HEIGHT

- ⚠️ **WARNING:** Do not adjust seat height with child in seat. Adjust seat height before placing your child in the high chair.
- ⚠️ **WARNING:** Always check that the height adjustment bracket is level and both left and right sides locked before placing child in the high chair.

- ⚠️ **WARNING:** Never rest the height adjustment bracket on the locking pins.

- 17) • **ATTENTION:** Applies to Youth Seat with or without the Booster Seat attachment. Make sure the Height Brackets lock on the lowest position. **DO NOT** rest Height Adjustment Brackets on the Locking Pins (Fig. 17a).

- Squeeze the Release Handles on both sides simultaneously of the Height Adjustment bracket (Fig. 17b) and adjust to the ideal position (Fig. 17c). **DO NOT** adjust with child in the seat.

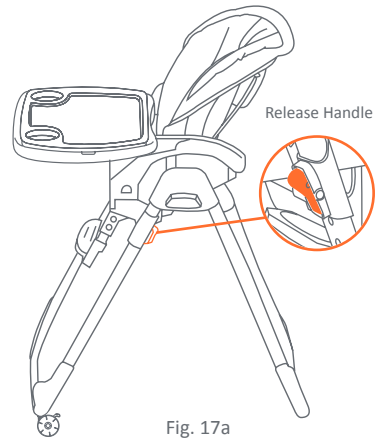


Fig. 17a

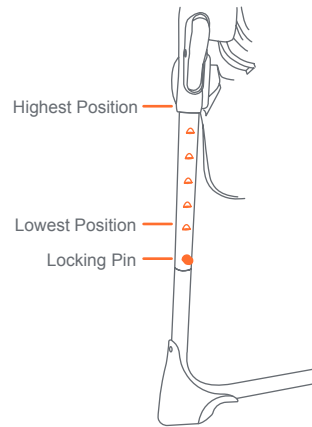


Fig. 17b

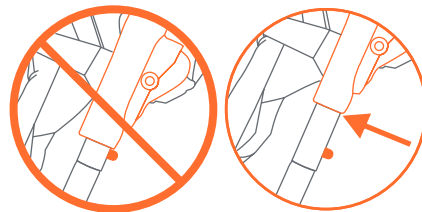


Fig. 17c

TO FOLD HIGH CHAIR

- ⚠️ **WARNING:** Do not sit on the frame when the seat is not attached. Do not use frame as a foot stool. Potential pinch point when opening the frame.

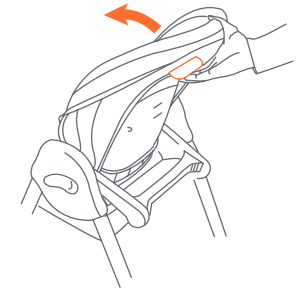


Fig. 18

The High Chair may be folded with the seat in any of the height positions.

- 18) • Use the recline handle to place the Seat Back in the most upright position illustrated in (Fig. 18).
- 19) • Pull upward on the release levers (located on the sides of the frame) and push the rear legs in the direction of the front legs until folded (Fig. 19). Chair is now ready to put away. **DO NOT** allow your child to play around a folded high chair as it may fall.

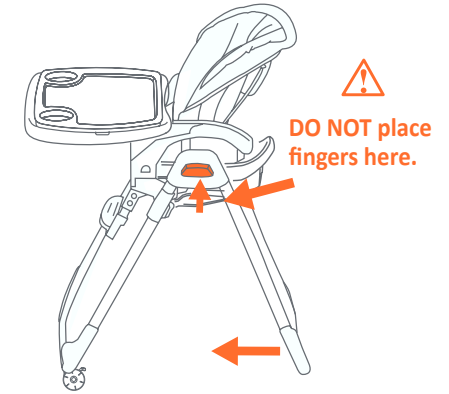
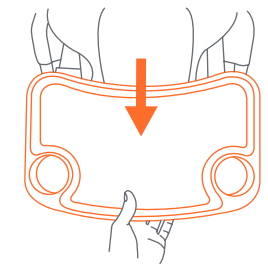


Fig. 19

TRAY STORAGE OPTION

- 20) • Squeeze the tray release handle and slide the tray out (Fig. 20).



Tray Release located underneath tray
Fig. 20

- 21) • Hang the tray on the hooks located on the back of the rear leg (Fig. 21).

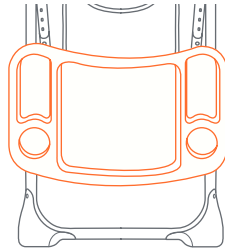


Fig. 21

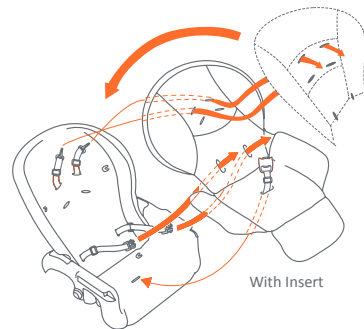
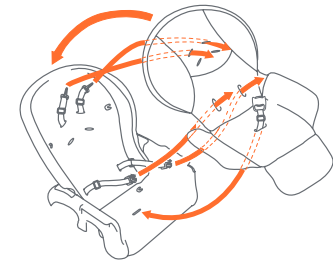
TO UNFOLD HIGH CHAIR

Extend the front and rear legs outward until locked into position.

TO REATTACH SEAT PAD

NOTE: Certain High Chair models are packaged with the High Chair Seat Pad and Seat Insert already attached to the Seat Back.

- 22) • Thread non-buckle end of Harness Straps called Harness Attachment Tabs through the provided slots in the Seat Fabric, Seat Insert, Seat Back, and Seat Base (Fig. 22). When Harness Attachment Tabs are through the provided slots, rotate the Harness Attachment Tabs 90 degrees. Make sure that the straps are firmly in place.



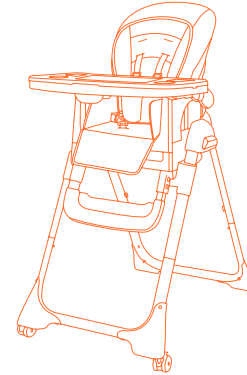
With Insert

Fig. 22

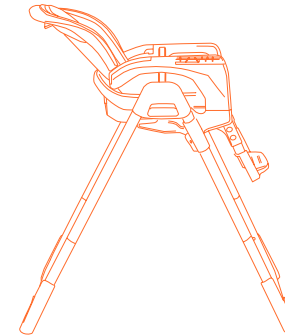
- 23) • Revert to step 8 and follow steps (Fig. 8b to Fig. 8d).

MODES OF USE 7

Traditional High Chair



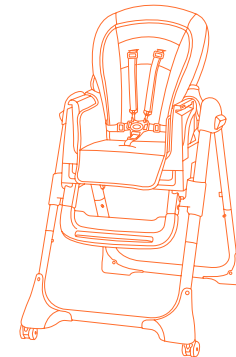
Infant High Chair



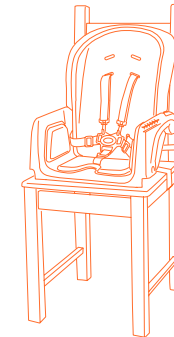
Youth Chair



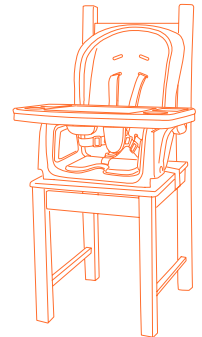
Dining Chair



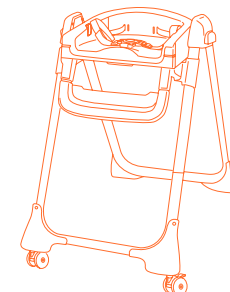
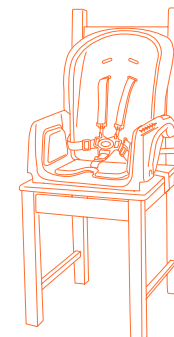
Toddler Booster



Infant Booster Seat



Sibling Mode



CARE AND MAINTENANCE

⚠ WARNING: Harness Straps are NOT washable.

Dishwasher Safe Tray Insert: The Tray Insert is dishwasher safe to 160° F (71° C). Do not use scouring pads on the Tray Insert as they will damage the surface and the Tray Insert will become more difficult to clean.

High Chair/Tray: Use mild soap and wash with damp cloth. Please use only a soft bristle brush, sponge or cloth to clean the surface or remove particles of food. **DO NOT** submerge High Chair and Tray in water. Surface clean only.

Seat Pad and fabrics (please refer to the care label on individual soft good pieces for cleaning instructions).

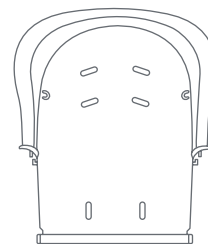
To remove the seat pad:

Remove Harness Straps by pushing Harness Attachment Tabs through the Harness slots on the Seat Back, Seat Base and Seat Pad. Remove Elastic Loops from Attachment Tabs on Seat Base and Seat Back.

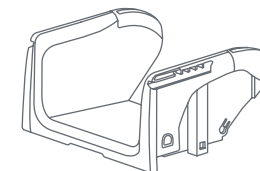
To attach the seat pad:

Carefully follow the instructions outlined in Step 22 on how to correctly re-thread the safety harness.

Vérifiez que vous avez bien toutes les pièces pour ce modèle avant de monter



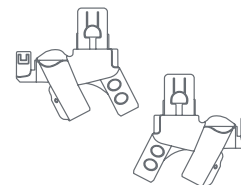
Dossier du siège



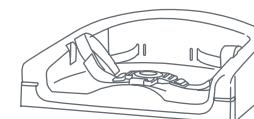
Base du siège



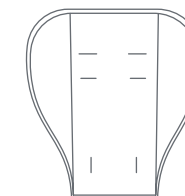
(2) Pasadores



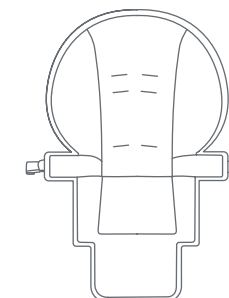
Crochets d'ajustement en hauteur



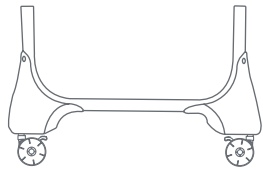
Siège pour les jeunes



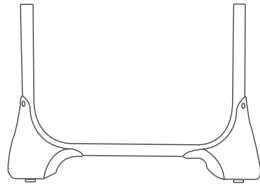
Ajusteur pour siège (facultatif)



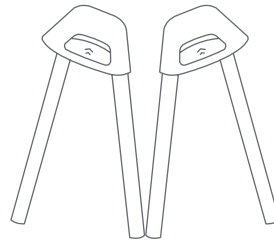
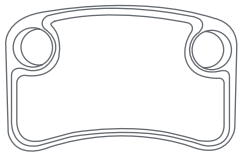
Coussin



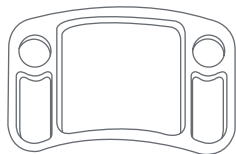
Pied et roues avant



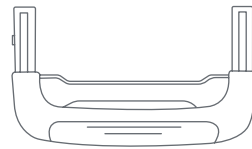
Pied arrière

Droite et gauche
Assemblage supérieur
de l'armature

Tablette



Plateau pour la tablette



Repose-pied

⚠ MISE EN GARDE: Ne pas suivre ces avertissements et instructions pourrait entraîner de blessures graves ou la mort.

⚠ RISQUES DE CHUTE: Des enfants ont subi d'importantes blessures à la tête, y compris des fractures du crâne, en tombant d'une chaise haute. Les chutes peuvent survenir de façon subite lorsqu'un enfant n'est pas attaché adéquatement. Utilisez TOUJOURS les dispositifs de retenue et réglez-les de façon à assurer un ajustement confortable. Le plateau n'est pas conçu pour maintenir l'enfant en place dans la chaise. Demeurez À PROXIMITÉ de l'enfant et surveillez-le lorsqu'il est dans la chaise. Ne laissez JAMAIS un enfant pousser la chaise vers l'extérieur d'une table.

⚠ DANGER D'ÉTRANGLEMENT: Évitez d'installer la chaise haute à tout endroit où se trouvent des cordons (par exemple, cordons de stores, rideaux, fils de téléphone, etc.)

⚠ MISE EN GARDE: L'enfant doit être de sécurité dans la chaise haute à tout moment par le système de retenue, que ce soit dans la position couché, inclinée ou verticale. Le plateau n'est pas conçu pour maintenir l'enfant dans la chaise. La chaise haute doit être utilisée seulement par un enfant déjà capable de s'asseoir correctement sans assistance et âgé d'au moins 6 mois. Voir page 44 pour les instructions sur l'utilisation correcte du système de sécurité.

Les accessoires attachés à la chaise peuvent affecter l'équilibre de la chaise haute et la rendre instable ou dangereuse.

Soyez certain que la chaise haute est complètement redressée et verrouillée en position ouverte avant d'autoriser un enfant à proximité.

Cette chaise haute a été conçue pour être utilisée par des enfants ayant un poids maximal de 20,41 kg (45 livres).

Le siège enfant est conçu pour être utilisé par un enfant d'un poids maximum de 60 lb (27,21 kg).

Ne permettez jamais à votre chaise haute d'être utilisé comme un jouet.

NE JAMAIS utiliser ce produit si des attaches sont manquantes ou lâches, les joints sont desserrés, des pièces sont brisées ou une couture ou tissu est déchiré. Vérifier régulièrement votre poussette avant l'utilisation. Veuillez contacter notre service à la clientèle Baby Trend au 1-800-328-7363 pour les pièces de rechange, pour prendre des dispositions pour la réparation ou pour des questions sur le manuel instruction. NE JAMAIS substituer les pièces Baby Trend avec d'autres.

DE SIÈGE D'APPOINT À CHAISE

⚠️ AVERTISSEMENT: Des enfants ont subi des blessures à la tête, notamment des fractures du crâne, après être tombés avec ou depuis des sièges d'appoint. Vérifiez que le siège d'appoint est solidement fixé au siège adulte avant chaque utilisation.

Utilisez TOUJOURS les dispositifs de retenue jusqu'à ce que l'enfant soit capable de s'asseoir et de se relever du siège d'appoint sans avoir besoin d'aide (environ 2 ans et demi). Ajustez-les pour qu'ils soient parfaitement adaptés.

NE laissez JAMAIS l'enfant se pousser en arrière en appuyant les pieds contre la table.

NE soulevez et NE transportez JAMAIS un enfant assis dans un siège d'appoint.

RESTEZ À PROXIMITÉ et surveillez votre enfant pendant l'utilisation du siège.

Vérifiez TOUJOURS la sécurité de l'ajustement à la chaise adulte avant chaque utilisation et limitation du produit.

N'utilisez JAMAIS ce produit sur un tabouret ou un banc sans dossier.

Le poids maximal de l'enfant pour le siège d'appoint pour tout-petits est de 45 lb (20,41 kg).

⚠️ AVERTISSEMENT: Prévenez les blessures graves ou la mort. N'utilisez pas le siège dans un véhicule à moteur.

⚠️ AVERTISSEMENT: Le plateau n'est pas conçu pour maintenir l'enfant dans la chaise.

⚠️ AVERTISSEMENT: Le siège d'appoint doit être utilisé uniquement par des enfants capables de se tenir assis sans aide et âgés d'au moins 6 mois.

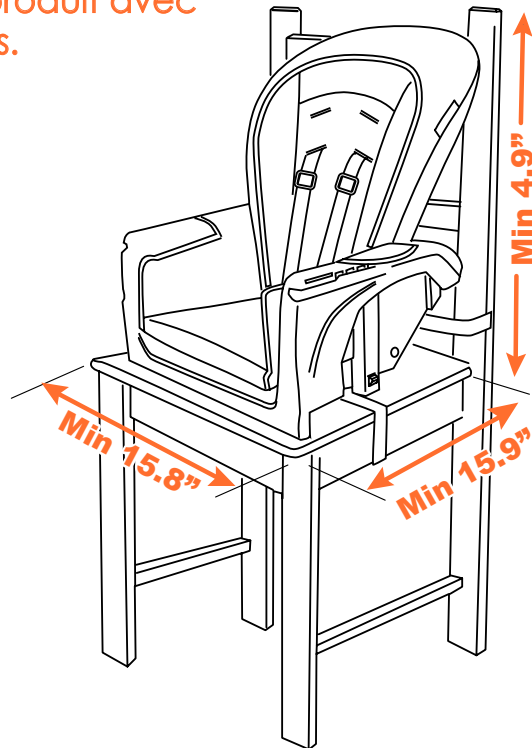
⚠ AVERTISSEMENT: Fixez toujours le siège d'appoint sur une chaise à l'aide des sangles de fixation inférieure et dorsale. N'utilisez jamais ce siège d'appoint sur un tabouret ou un banc sans dossier.

Diagramme de taille de chaise pour adulte

Suivez toujours les mesures de sécurité ci-dessous lorsque vous utilisez le siège d'appoint sur une chaise.

Taille minimale de chaise pour adulte pour le siège d'appoint : largeur : 15,8 pouces, profondeur : 15,9 pouces, hauteur du dossier : 4,9 pouces.

NE soulevez JAMAIS ce produit avec votre enfant assis dedans.



IMPORTANT ! Pour vous assurer que votre produit fonctionne de façon sécuritaire, suivez ces instructions attentivement. Conservez ces instructions pour référence ultérieure.

IMPORTANT ! Avant chaque assemblage et utilisation, inspecter ce produit pour du matériel endommagé, les joints lâches, des pièces manquantes ou des rebords coupants. NE JAMAIS utiliser si des pièces sont manquantes ou brisées.

IMPORTANT ! L'assemblage par un adulte est requis.

IMPORTANT ! Toujours vérifier que la chaise haute est verrouillée dans la position ouverte avant de l'utiliser.

POUR RETIRER LE SIÈGE JEUNESSE DE LA BASE DU SIÈGE

- 1) • (1) Tout d'abord, démontez la base du siège de la chaise pour jeunes en appuyant sur le bouton de déverrouillage situé sous le siège (2) et soulevez-le pour le retirer (Fig. 1a).

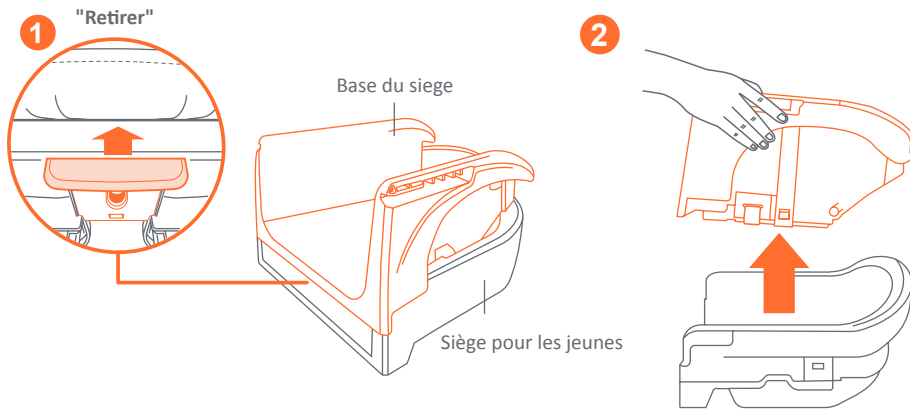


Fig. 1a

POUR MONTER LE SIÈGE ENFANT

- Localisez les supports de hauteur, les cadres supérieurs, les pieds avant et les pieds arrière (Fig. 1b).

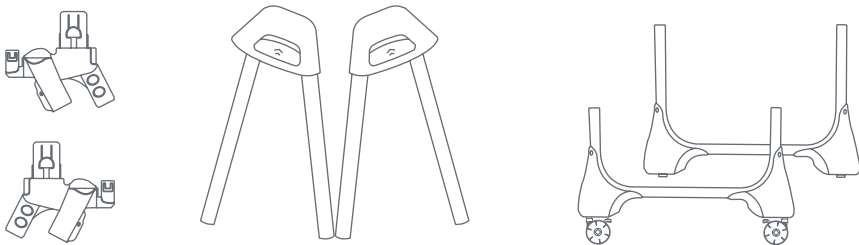


Fig. 1b

- 2) • Insérez les supports de hauteur des côtés gauche et droit dans le tube avant de l'assemblage du cadre supérieur, comme illustré à la (Fig. 2a). **REMARQUE :** Le tube avant se distingue facilement du tube arrière par la série de trous situés à l'arrière du tube avant.

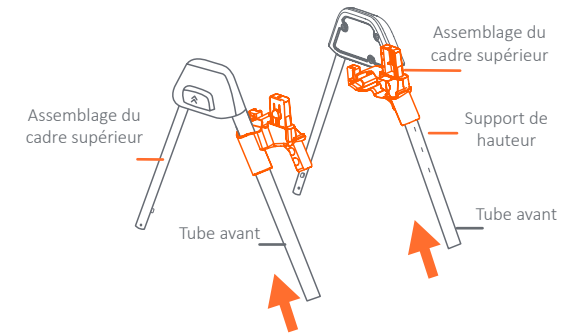


Fig. 2a

- Serrez simultanément les poignées de dégagement des deux côtés et poussez le tube à travers les dispositifs de réglage de la hauteur jusqu'à ce qu'il se verrouille dans la position la plus haute (Fig. 2b).

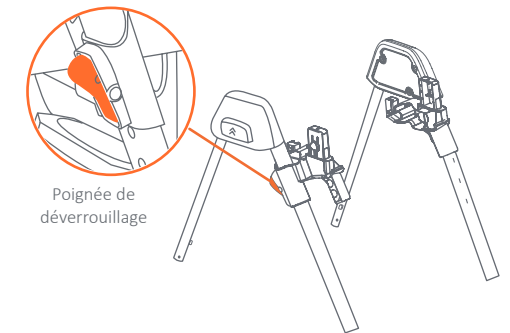


Fig. 2b

- 3) • Insérez les pieds dans les extrémités du tube avant des ensembles de cadre supérieur droit et gauche (Fig. 3). **REMARQUE :** Les pieds sont correctement connectés lorsque les boutons de verrouillage sont alignés avec les trous aux extrémités des assemblages de cadre supérieur. Assurez-vous que les boutons de verrouillage sont enclenchés avant d'utiliser le siège.

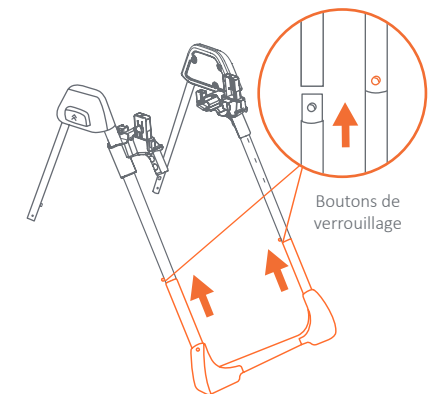


Fig. 3

- 4) • Insérez un autre pied dans les extrémités du tube arrière des ensembles de cadre supérieur droit et gauche (Fig. 4a).

REMARQUE: Les pieds sont correctement connectés lorsque les boutons de verrouillage sont alignés avec les trous aux extrémités des assemblages du cadre supérieur. Assurez-vous que les attaches sont verrouillées avant l'utilisation.

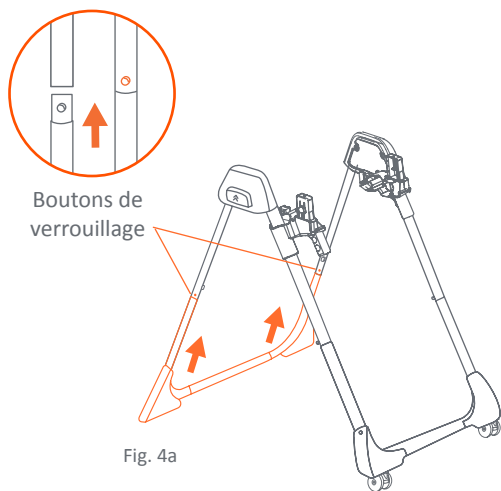


Fig. 4a

- Pour verrouiller la roue, appuyez sur le loquet vers le bas. Pour déverrouiller, soulevez le loquet (Fig. 4b).

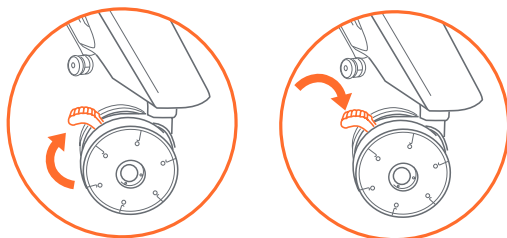


Fig. 4b

- 5) • Aligned le siège enfant avec les supports de hauteur. Assurez-vous que les supports sont verrouillés dans le siège enfant (Fig. 5).

- 6) • Faites glisser le repose-pieds dans le support de hauteur (Fig. 6). Verrouillez le repose-pieds en place. **REMARQUE:** Réglez la hauteur du repose-pieds en appuyant simultanément sur les deux languettes et en le soulevant. Poussez les deux languettes et tirez pour les retirer (Fig. 6).

ATTENTION : Le siège enfant doit être connecté au cadre orienté vers l'avant **UNIQUEMENT. NE PAS** retirer avec un enfant assis dans le siège.

RETIRAR: Retire el apoyapiés apretando ambas lengüetas simultáneamente y tirando del soporte de altura.

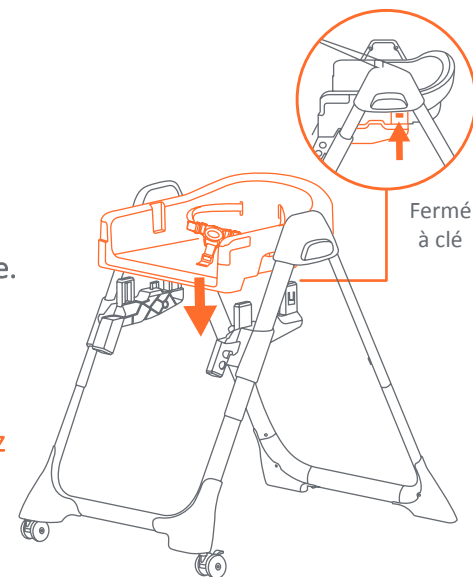


Fig. 5

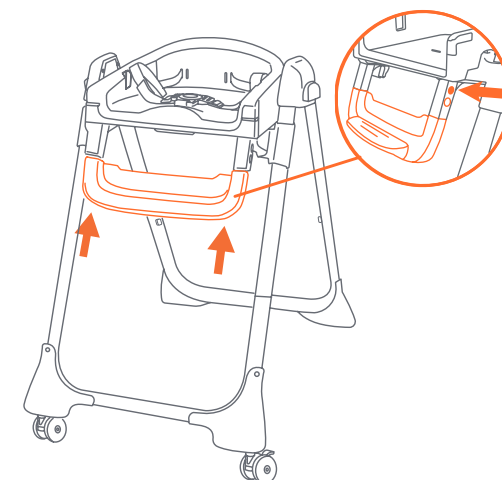


Fig. 6

- 7) • Insérez les languettes métalliques (1) et (2) directement dans la fente de la base du siège jusqu'à ce qu'elle se verrouille en place. Assurez-vous que le dossier est correctement inséré dans la base (Fig. 7a).

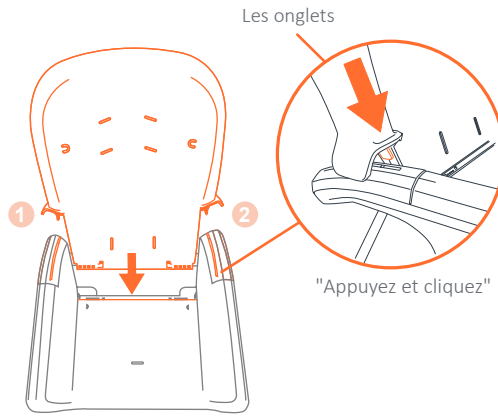


Fig. 7a

- **Configuration importante des goupilles :** Le dossier doit être dans la position la plus droite avant d'insérer les goupilles (Fig. 7b).

• **Appuyez sur les goupilles :**

Assurez-vous que les pièces du siège sont verrouillées ensemble en position verticale. Insérez la goupille à fond de chaque côté de la base du siège et testez la fonction d'inclinaison (Fig. 7c). **MISE EN GARDE : NE PAS enfoncer la goupille dans la base uniquement. Doit accrocher la base et le dossier (Fig. 7d).**

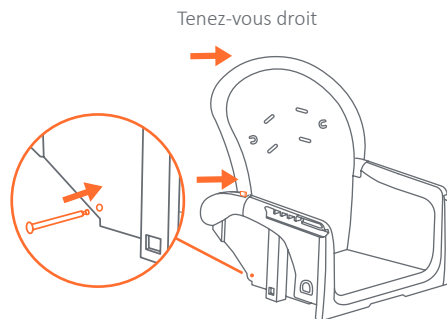


Fig. 7b

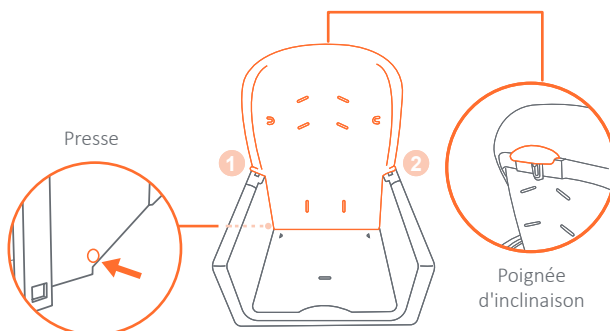


Fig. 7c

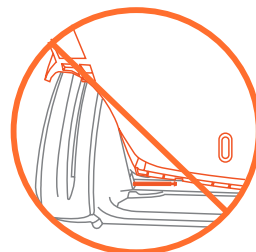


Fig. 7d

- 8) • Passer le rabat sur le dos du coussin par-dessus le haut du dossier du siège. Attacher le coussin à la partie supérieure du dossier avec les deux boucles élastiques. Ceux-ci s'accrochent par dessus les attaches situées au dessus des fentes supérieures pour le harnais (Fig. 8a).

- Attacher le bas du coussin au bas du siège avec les deux boucles élastiques situées à l'arrière du coussin. Ceux-ci passent par dessus les attaches situées sur la base du siège, là où le siège arrière et la base du siège se rejoignent (Fig. 8b).

- Fixez chaque crochet d'ancrage du siège Coussin sur le côté de l'accoudoir du siège (Fig. 8c). Assurez-vous que l'emplacement du crochet d'ancrage glisse à travers le dessous division latérale (Fig. 8d).

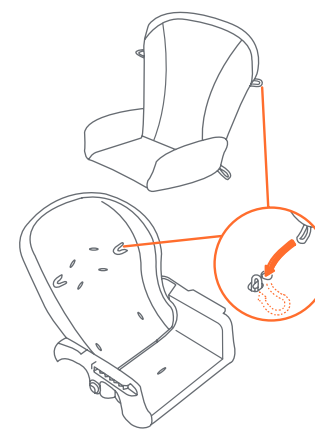


Fig. 8a

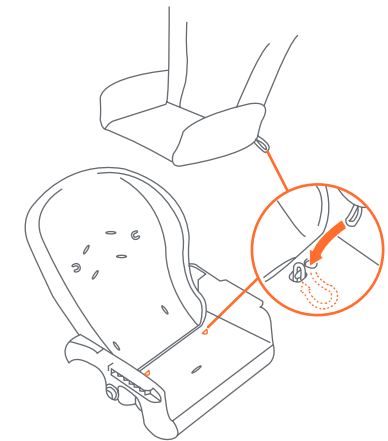


Fig. 8b

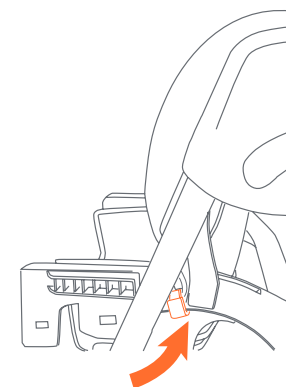


Fig. 8c

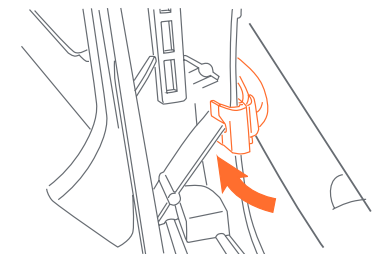


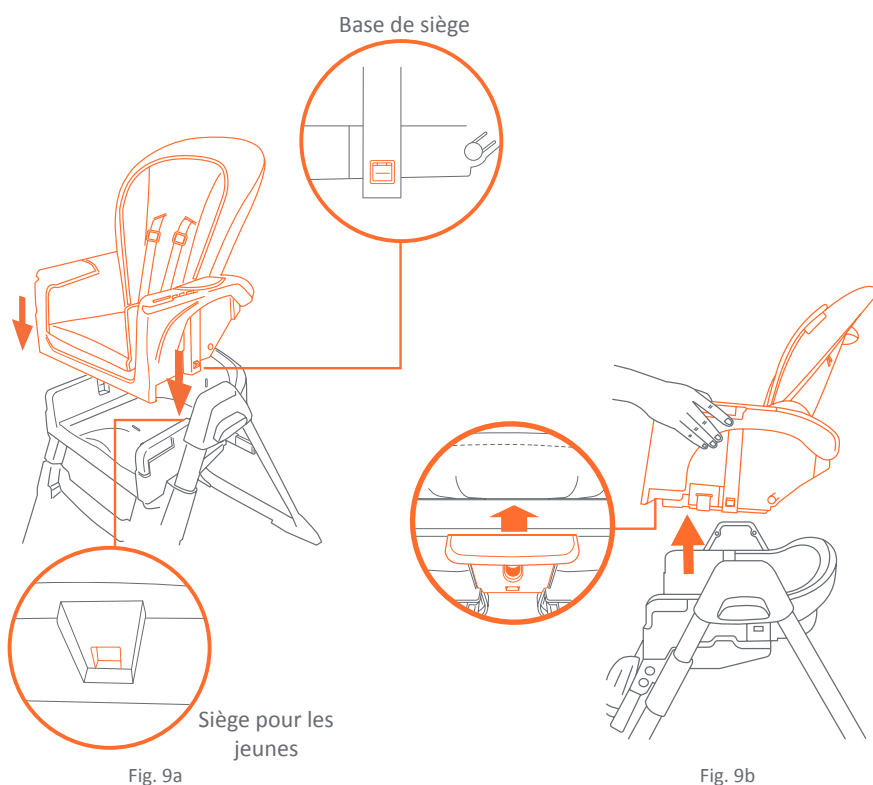
Fig. 8d

FIXATION DE SIÈGE D'APPOINT

- 9) • Alignez la base du siège dans les connexions du siège enfant. Assurez-vous que les deux connexions s'enclenchent (Fig. 9a).

REMARQUE: Vérifiez que les connexions sont correctement fixées en tirant doucement sur le siège d'appoint et en vérifiant les languettes.

- Appuyez sur le déverrouillage sous le siège et soulevez-le pour le retirer (Fig. 9b).



Régalez toujours le dossier du siège dans la position la plus droite avant de le fixer.

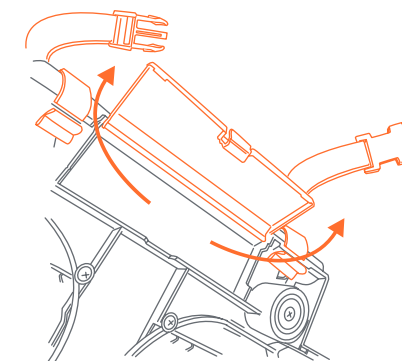


Fig. 9c

- Pour l'attacher à la chaise, utilisez les sangles du dossier situées sous le compartiment du siège (Fig. 9c).
- Utilisez les sangles du bas du siège situées sous les compartiments des fentes du siège (Fig. 9d).
- Installez le siège sur une chaise avec dossier et sans accoudoirs. Assurez-vous qu'il n'y a pas de rembourrage ou de coussins supplémentaires sur la chaise.

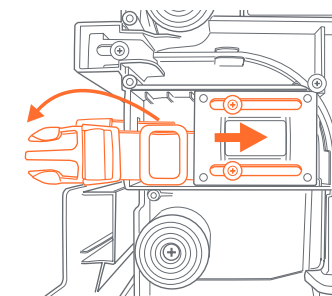


Fig. 9d

- (1) Enroulez les sangles du dossier autour du dossier de la chaise. Bouclez les sangles en vous assurant d'entendre le « clic » indiquant que la boucle est fermée (Fig. 9e).
- (2) Enroulez les sangles inférieures autour du bas de la chaise. Bouclez les sangles en vous assurant d'entendre le « clic » indiquant que la boucle est fermée (Fig. 9e).

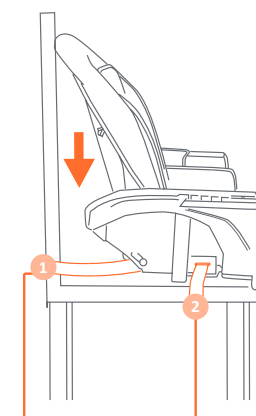


Fig. 9e

- **(3)** Serrez le siège d'appoint sur le fauteuil (Fig. 9f).

Vérifiez que le siège d'appoint est bien installé en essayant de déplacer le siège d'appoint d'un côté à l'autre et vers le haut. Le siège d'appoint ne doit pas bouger de plus de 1 pouce.

POUR RETIRER LE SIÈGE D'APPOINT DE LA CHAISE

- Débouclez toutes les sangles (Fig. 9g). Retournez le siège d'appoint et rangez les sangles dans leur compartiment (Fig. 9h). **REMARQUE :** Fermez chaque compartiment.

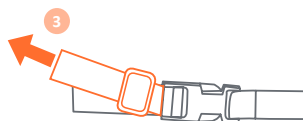


Fig. 9f

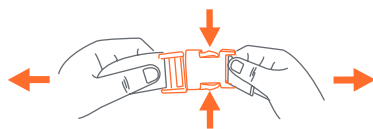


Fig. 9g

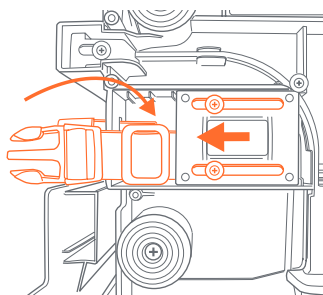
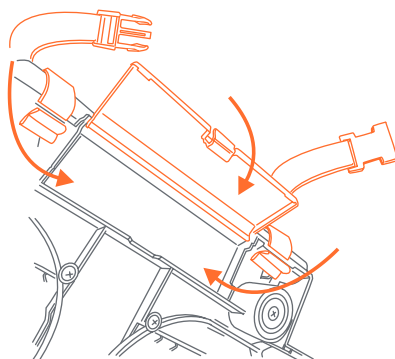


Fig. 9h

ATTACHER LA TABLETTE

⚠ AVERTISSEMENT: Toujours vérifier que la chaise haute est verrouillée dans la position ouverte avant de l'utiliser.

⚠ AVERTISSEMENT: Le plateau n'est pas conçu pour maintenir l'enfant dans la chaise. L'enfant doit être attaché à l'aide du dispositif de retenue à trois points lorsqu'il se trouve dans la chaise haute, qu'il soit en position inclinée, semi-inclinée ou verticale.

- 10) • Pour positionner le plateau, appuyez sur la poignée de déverrouillage située sous le plateau et appuyez fermement dans les fentes de positionnement (Fig. 10a).
 - Le plateau a **4 positions** de réglage. Pour régler la position, appuyez sur la poignée de déverrouillage du plateau située sous le plateau et placez le plateau dans la position souhaitée (Fig. 10b). Relâchez la poignée du plateau. Vérifiez que le plateau est bien verrouillé dans la nouvelle position.

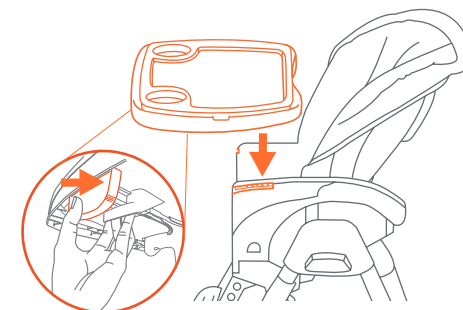
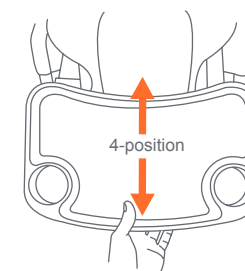


Fig. 10a



Dégagement du plateau situé sous le plateau

Fig. 10b

ATTACHER LE PLATEAU POUR LA TABLETTE

11) • Le plateau pour aliments (va au lave-vaisselle) s'insère dans la tablette de la chaise haute et est maintenu en place par des crochets du sur le côté du plateau. Lors de l'installation du plateau pour aliments, assurez-vous qu'il soit solidement fixé afin d'éviter que l'enfant ne retire le plateau lui-même. Pour retirer le plateau détacher les onglets de la tablette (Fig. 11a).

- La tablette peut être rangée en la fixant sur les jambes arrière de la chaise haute. Aligner les trous situés à l'arrière de la tablette avec les petites chevilles sur les jambes arrière (Fig. 11b).

REMARQUE: Pour le retirer, soulevez le plateau.

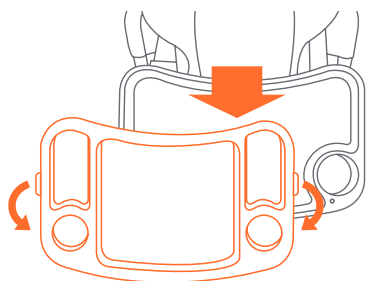


Fig. 11a

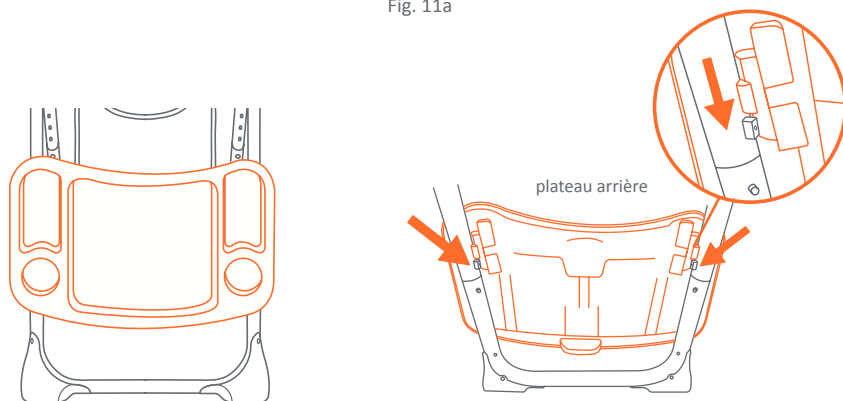


Fig. 11b

POUR UTILISER LE HARNAIS DE SÉCURITÉ

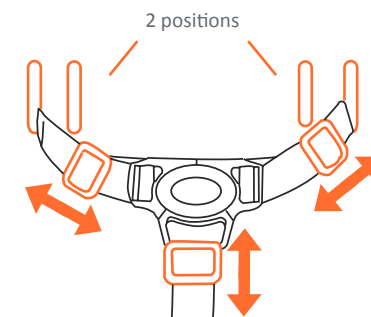
⚠ AVERTISSEMENT: La chaise haute doit être utilisée seulement par un enfant déjà capable de s'asseoir correctement sans assistance et âgé d'au moins 6 mois.

⚠ AVERTISSEMENT: Prévenez les blessures graves ou un décès dus à une chute ou à un glissement hors de la chaise. Utilisez toujours le dispositif de retenue. L'enfant doit être attaché à l'aide du dispositif de retenue à 3 points / 5 points lorsqu'il se trouve dans la chaise haute, qu'il soit en position inclinée, semi-inclinée ou verticale.

12) • **Harnais 3 points :** placez la sangle d'entrejambe entre les jambes de votre enfant. Insérez les boucles du harnais dans le fermoir central avec le bouton.

- Ajustez les sangles de taille pour le confort et la sécurité de votre enfant en faisant glisser les boucles dans les deux sens. Les sangles de sécurité doivent être bien ajustées autour de votre enfant (Fig. 12).

- Les sangles du harnais 3 points ont 2 positions d'attache. Pour ajuster les bretelles, sélectionnez la fente qui convient le mieux à votre enfant. Reportez-vous à (Fig. 12).



Ajustez pour un ajustement parfait

Fig. 12

POUR LIBÉRER L'ENFANT

13) • Appuyer sur le bouton au centre des boucles, les deux sangles se détacheront (Fig. 13).

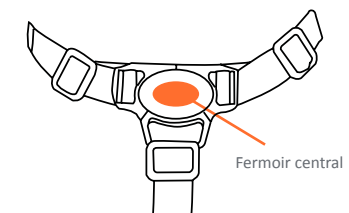


Fig. 13

- 14) • **Harnais 5 points:** Les bretelles du harnais 5 points ont 2 positions d'attache. Sélectionnez la position qui place la bandoulière au niveau ou en dessous du haut des épaules de l'enfant (Fig. 14a).

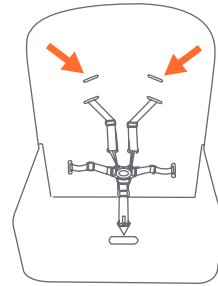
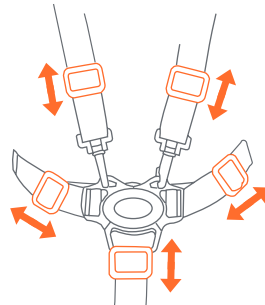


Fig. 14a

- Placez soigneusement l'enfant dans le siège et placez le harnais de sécurité autour de la taille de l'enfant et sur les épaules. Placez la sangle d'entrejambe entre les jambes de l'enfant. Insérez l'extrémité mâle de chaque ceinture épaulière/taille dans la boucle de la sangle d'entrejambe. Serrez le harnais pour qu'il soit bien ajusté autour de la taille de l'enfant et sur ses épaules (Fig. 14b).



Ajuster pour être bien serré

Fig. 14b

POUR LIBÉRER L'ENFANT

- 15) • Appuyer sur le bouton au centre des boucles, les deux sangles se détacheront (Fig. 15).

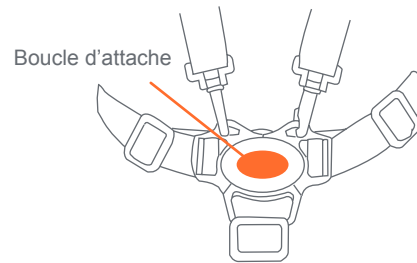


Fig. 15

INCLINER LE SIÈGE

- 16) • Appuyer sur le levier au dos du siège et ajuster l'inclinaison ou mettre dans la position debout (Fig. 16). Lors de l'ajustement de la position du siège, faire très attention de ne pas pincer les bras, les mains ou les jambes de l'enfant.

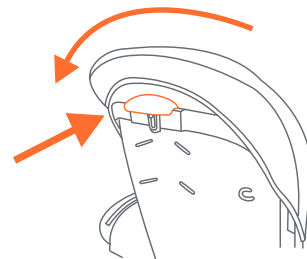


Fig. 16

AJUSTER LA HAUTEUR DU SIÈGE

- ⚠️ AVERTISSEMENT:** Ne pas régler la hauteur du siège avec un enfant assis dans le siège. Ajuster la hauteur du siège avant de placer votre enfant dans la chaise haute.

- ⚠️ AVERTISSEMENT:** Toujours vérifier que le réglage de la hauteur du support est pareil du côté droit et du côté gauche et que les deux côtés sont verrouillés avant de placer l'enfant dans la chaise haute.

- ⚠️ AVERTISSEMENT:** Jamais laissez reposer le crochet d'ajustement en hauteur sur la goupille d'arrêt.

- 17) • **ATTENTION :** S'applique au siège enfant avec ou sans l'accessoire du siège d'appoint. Assurez-vous que les supports de hauteur se verrouillent sur la position la plus basse. Ne posez pas les supports de réglage de la hauteur sur les goupilles de verrouillage (Fig. 17a).

Appuyer simultanément sur les poignées de réglage de la hauteur du côté gauche et droit du support (Fig. 17b) et ajuster à la position idéale (Fig. 17c). **NE PAS** ajuster le siège lorsqu'un enfant y est assis.

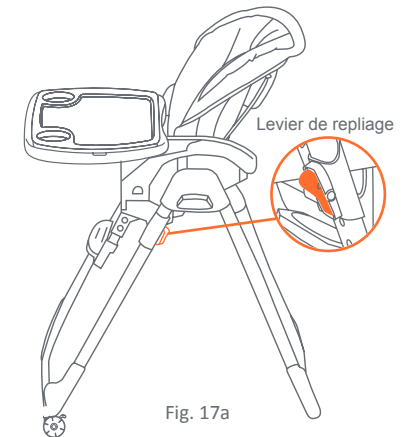


Fig. 17a

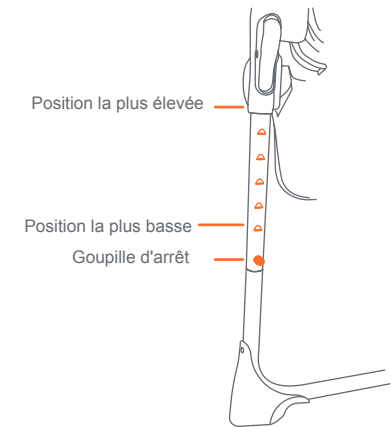


Fig. 17b

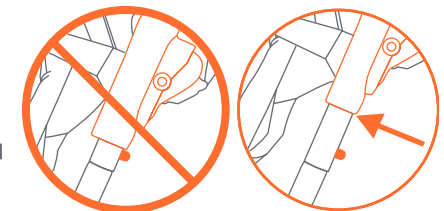


Fig. 17c

PLIER LA CHAISE HAUTE

- ⚠ AVERTISSEMENT:**
 Ne pas s'asseoir sur le cadre de la chaise haute lorsque le siège n'y est pas fixé.
 Ne pas utiliser le cadre de la chaise haute comme repose-pieds. Point de pincement potentiel lors de l'ouverture du cadre.

La chaise haute peut être repliée avec le siège dans n'importe laquelle des positions.

- 18)** • Utilisez le levier d'inclinaison pour ramener le siège dans la position la plus droite illustrée à la (Fig. 18).
- 19)** • Tirez vers le haut sur les leviers situés sur les côtés du châssis et pousser les jambes arrières vers les jambes avant jusqu'à ce qu'elles soient repliées. (Fig. 18) La chaise est maintenant prête à être rangée.
NE PAS permettre à votre enfant de jouer près d'une chaise haute pliée car elle peut tomber.

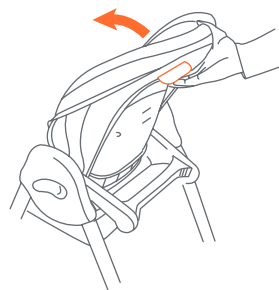


Fig. 18

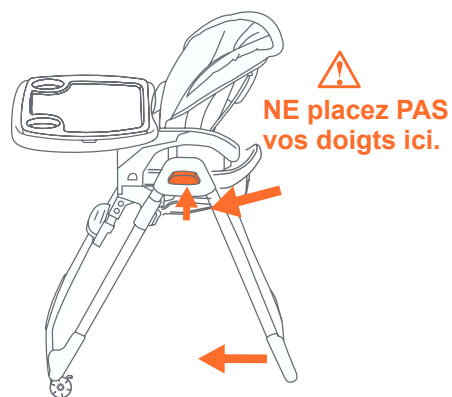
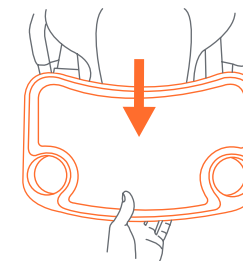


Fig. 19

Option de plateau de Stockage

- 20)** • Pincer la poignée de la tablette et la faire glisser (Fig. 20).
- 21)** • Accrocher la tablette sur les crochets situés à l'arrière des jambes (Fig. 21).



Levier de relâche situé sous le plateau
 Fig. 20

POUR DÉPLIER LA CHAISE HAUTE

Étendez les jambes avant et arrière jusqu'à ce qu'elles soient verrouillées en position.

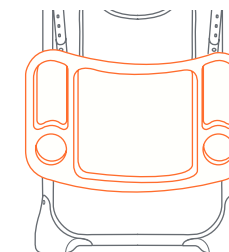
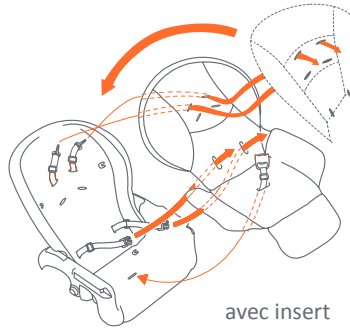
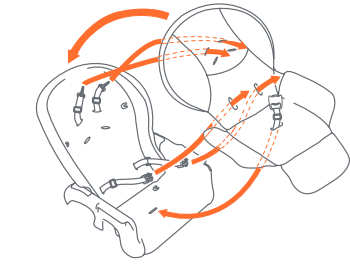


Fig. 21

POUR ATTACHER LE COUSSIN DU SIÈGE

REMARQUE: Certains modèles de chaise haute sont livrés avec le coussin pour siège et l'ajusteur pour siège déjà joint au dossier.

- 22) • Passer les embouts des sangles du harnais par fentes dans le tissu des sièges, le coussin, le dossier, et la base du siège (Fig. 22). Lorsque les embouts sont bien enfilés par les fentes, tournez les 90 degrés. Assurez-vous que les sangles sont fermement attachées.

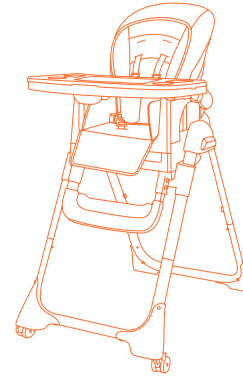


avec insert
Fig. 22

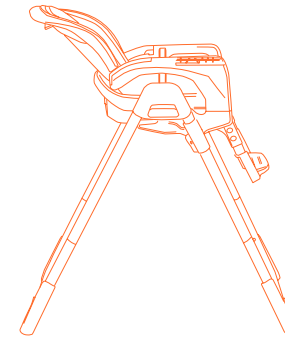
- 23) • Revenez à l'étape 8 et suivez les étapes (Fig. 8b et Fig. 8d).

MODES OF USE 7 modes d'utilisation

Chaise haute traditionnelle



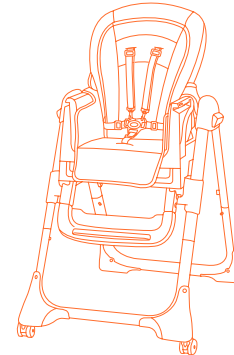
Chaise haute pour bébé



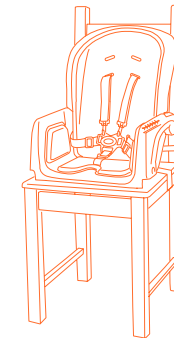
Siège enfant



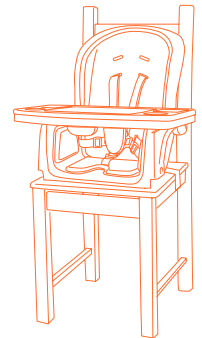
Chaise pour salle à manger



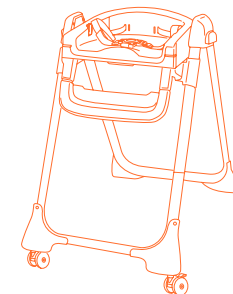
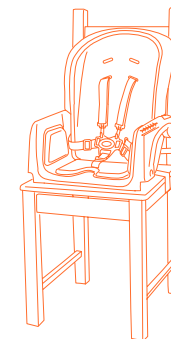
Siège d'appoint pour tout-petits



Siège d'appoint pour bébé



Mode frères et sœurs



SOINS D'ENTRETIEN

 **ADVERTISSEMENT:** Les sangles du harnais et le panier de rangement ne sont PAS lavables.

Le plateau pour la tablette: Le plateau peut aller au lave-vaisselle à 160° F (71° C). N'utilisez pas d'éponges abrasives sur le plateau car ils endommageront la surface et le plateau deviendra difficile à nettoyer.

Chaise haute / Tablette: Nettoyez la chaise haute après chaque utilisation en utilisant un savon à vaisselle doux. Veuillez utiliser seulement une brosse au poil doux, une éponge ou un chiffon pour nettoyer la surface des miettes de nourriture. **NE PAS** submerger la chaise ou la tablette dans l'eau: les nettoyer en surface seulement.

Coussin de siège et tissu (voir l'étiquette de soin sur chaque pied pour les instructions de nettoyage).

Pour enlever le coussin: Retirez les sangles en les passant par les trous dans le coussin, le dossier, et la base du siège d'où elles viennent. Détachez les boucles élastiques des attaches qui retiennent le siège au dossier et à la base du siège.

Pour attacher le coussin du siège: Veuillez vous assurer de suivre attentivement les instructions indiquées au point 22 afin de réinstaller correctement le harnais de sécurité.



BABY TREND® CUSTOMER SERVICE

The Customer Service Department can be contacted at 1 (800) 328-7363 Monday through Friday between 8:00 a.m. and 4:30 p.m. (PST). Return Authorizations are required prior to returning product(s) to Baby Trend®.



BABY TREND® SERVICE CLIENT

Le service client peut être contacté au 1 (800) 328-7363 du lundi au vendredi 8 h – 16 h 30 (PST). Une autorisation sera nécessaire avant de retourner le produit à Baby Trend®.