

## WARRANTY

DO NOT RETURN YOUR PRODUCT TO THE STORE. PLEASE CONTACT BABY TREND FOR REPLACEMENT PARTS, SERVICE AND REPAIR.

The Baby Trend® warranty covers workmanship defects within the first 180 days of purchase.

Any product which has been subjected to misuse, abuse, abnormal use, excessive wear and tear, improper assembly, negligence, environmental exposure, alteration or accident, or has had its serial number altered or removed invalidates all claims against the manufacturer.

Any damage to property during installation is the sole responsibility of the end user. The Customer Service Department can be contacted at 1 (800) 328-7363 Monday through Friday between 8:00am and 4:30 pm (PST). Return Authorizations are required prior to returning product(s) to Baby Trend®. Warranty only valid in North America.

## GARANTIA

NO DEVUELVA SU PRODUCTO A LA TIENDA. POR FAVOR CONTACTE A BABY TREND PARA PIEZAS DE REPUESTO, SERVICIO Y REPARACION.

La garantía de Baby Trend® cubre defectos de fábrica dentro de los primeros 180 días de la compra. Cualquier producto que haya sido sometido a uso indebido, abuso, uso anormal, desgaste excesivo, montaje incorrecto, negligencia, exposición ambiental, alteración o accidente, o que ha tenido su número de serie alterado o removido anula todos los reclamos contra el fabricante. Cualquier daño a la propiedad durante la instalación es de la exclusiva responsabilidad del usuario final. El Departamento de Servicio al Cliente puede ser contactado a 1 (800) 328-7363 Lunes a viernes entre 8:00 am y 4:30 pm (PST). Un numero de autorizacion es requerido antes de la devolución de los producto(s) a Baby Trend®.

Garantía válida sólo en América del Norte.

## GARANTIE

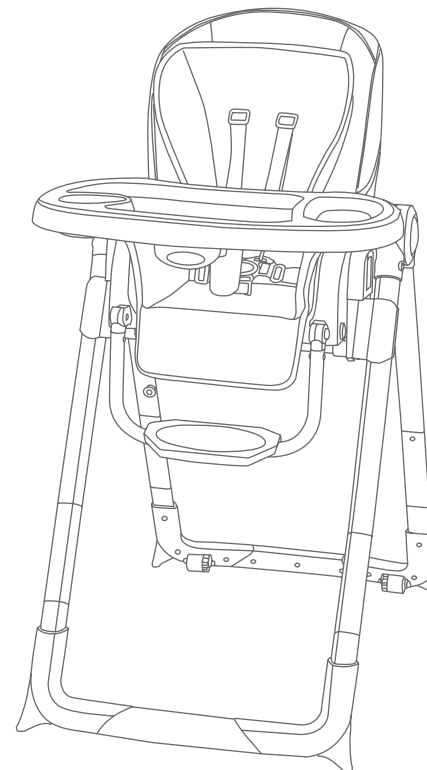
NE PAS RETOURNER VOTRE PRODUIT AU MAGASIN. VEUILLEZ CONTACTER BABY TREND POUR DES PIÈCES DE RECHANGE, ENTRETIEN ET RÉPARATION.

La garantie Baby Trend® couvre les vices de fabrication dans les 180 jours suivant l'achat du produit. Tout produit qui a été soumis à un usage abusif, une utilisation anormale, une usure excessive, un montage incorrect, de la négligence, de l'exposition environnementale, de la modification ou un accident, ou a eu son numéro de série modifié ou supprimé annule toutes les réclamations contre le fabricant. Tout dommage à la propriété lors de l'installation est de la seule responsabilité de l'utilisateur final. Le service client peut être contacté au 1 (800) 328-7363 du lundi au vendredi 8 h – 16 h 30 (PST). Une autorisation sera nécessaire avant de retourner le produit à Baby Trend®. Garantie valable uniquement en Amérique du Nord.

Read all instructions BEFORE assembly and USE of product.  
KEEP INSTRUCTIONS FOR FUTURE USE.

Lea todas las instrucciones ANTES de armar y USAR el producto.  
CONSERVE LAS INSTRUCCIONES PARA USO FUTURO.

Lisez toutes les instructions du manuel AVANT l'assemblage  
ou L'UTILISATION de ce produit. CONSERVEZ CES  
INSTRUCTIONS POUR RÉFÉRENCE ULTÉRIEURE.



HC57XXXC  
Instruction Manual  
Manual de Instrucciones  
Manuel d'instruction



[www.babytrend.com](http://www.babytrend.com)

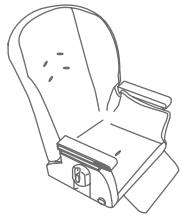
Baby Trend, Inc.  
1607 S. Campus Ave.,  
Ontario, CA 91761

1-800-328-7363  
(8:00am ~ 4:30pm PST)  
[www.babytrend.com](http://www.babytrend.com)

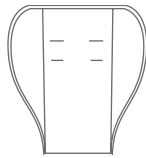


[www.babytrend.com](http://www.babytrend.com)

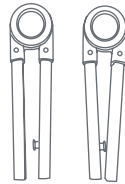
Check that you have all the parts for this model before assembly.



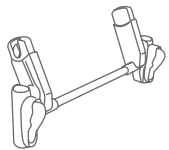
Booster Seat



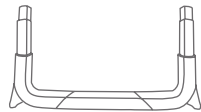
Body Insert



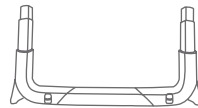
Upper Frame Assemblies (X2)



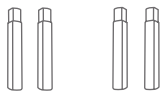
Height Adjuster



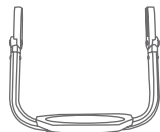
Front Leg



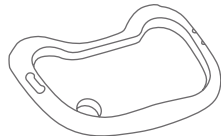
Rear Leg



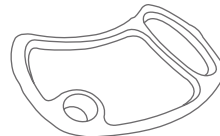
Extension Tubes A (X2)  
Extension Tubes B (X2)



Footrest



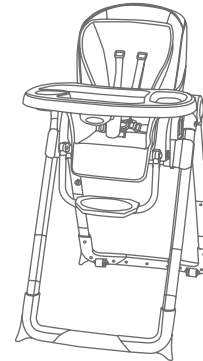
Tray



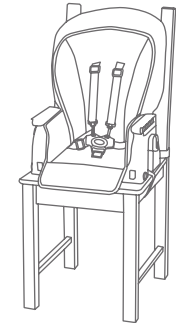
Tray Insert

## MODES OF USE

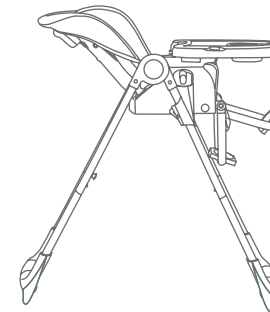
### Traditional High Chair



### Toddler Booster



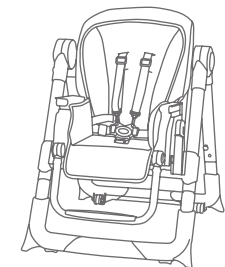
### Infant Feeding



### Infant Booster Seat



### Toddler Chair



• **ONLY** approved **SNAP TECH™** products can be used on the frame.

- ⚠️ **WARNING:** Failure to follow these warnings and the instructions could result in serious injury or death.
- ⚠️ **WARNING:** Prevent serious injury or death from falls or sliding out. Always secure child in the restraint. **NEVER** leave child unattended.
- ⚠️ **WARNING:** The child should be secured in the high chair at all times by the 5-point restraining system, either in the reclining, semi-reclining or upright position. The tray is not designed to hold the child in the chair. It is recommended that the high chair be used in the upright position only by children capable of sitting upright unassisted. See page 10 for instructions on proper use of restraint system.

- **ONLY** approved **SNAP TECH™** products can be used on the frame.
- Other accessory items may change the balance of the high chair and cause hazardous unstable conditions, use approved Baby Trend toys only.
- Be certain the high chair is fully erect and latched in the open position before allowing the child near the high chair.
- Use of the high chair with a child weighing more than 40 pounds will cause excessive wear and stress on high chair.
- **NEVER** allow your high chair to be used as a toy.
- **NEVER** use this product if there are any loose or missing fasteners, loose joints, broken parts, or torn mesh/fabric. Check before assembly and periodically during use. Contact Baby Trend Customer Service at 1-800-328-7363 for replacement parts, repair or instructions. **NEVER** substitute parts.

**IMPORTANT!** To ensure safe operation of your product, please follow these instructions carefully. Please keep these instructions for future reference.

**IMPORTANT!** Before assembly and each use, inspect this product for damaged hardware, loose joints, missing parts or sharp edges. **NEVER** use if any parts are missing or broken.

**IMPORTANT!** Adult assembly is required.

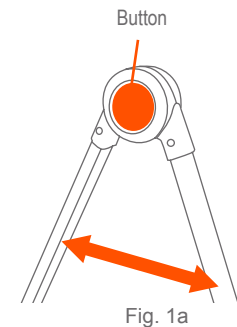
**IMPORTANT!** Always check that the high chair is locked in the open position before using.

### ATTENTION:

Carefully remove parts from box. Check that you have all the parts for this model before assembling the high chair. NOTE: Certain High Chair models are packaged with the High Chair Seat Fabric and Body Insert already attached to the Seat Back.

### TO ASSEMBLE FRAME

- 1) • Take either the left or right Upper Frame Assemblies, press and hold the button and extend the frame then release the button (Fig 1a).



- Insert the front tube of the right and left side Upper Frame Assemblies into the Height Adjuster (Fig. 1b). The front tube is easily distinguished from the rear tube by the array of holes located on the backside of the front tube.

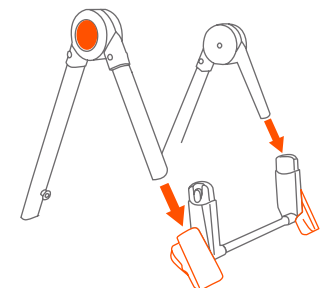


Fig. 1b

- 2) • Squeeze the Release Handles on both sides simultaneously and push the tube through the Height Adjusters until it locks in the highest position (Fig. 2).

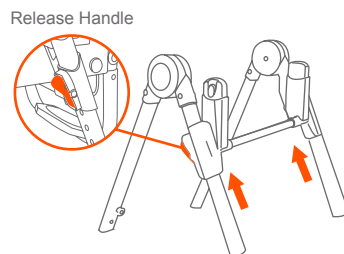


Fig. 2

- 3) • Connect the Front and Rear Legs to the Upper Frame Assemblies by inserting the tube ends into the extension tubes. Separate the A and B tubes (Fig. 3a). Facing the front legs the A tubes connect to the left leg and B tubes connect to the right leg. Facing the rear legs A tubes connect to the left leg and B tubes connect to the right leg (Fig 3b).

**NOTE:** Legs are properly connected when the lock buttons are lined up with the holes on the ends of the Upper Frame Assemblies. Make sure the lock buttons are engaged before use.

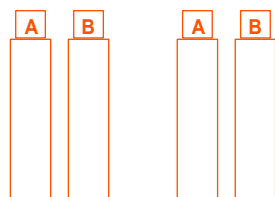


Fig. 3a

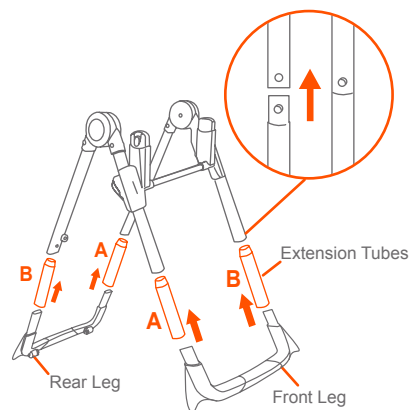


Fig. 3b

## TO ASSEMBLE BOOSTER SEAT

- **ONLY** approved **SNAP TECH™** products can be used on the frame.
- 4) • Slide Footrest posts into the front of the Seat until it clicks into place (Fig. 4a).
  - Connect the Seat and lock into place (Fig. 4b). Pull up to make sure it's locked firmly in place before use (Fig. 4c).

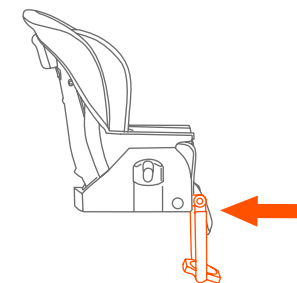


Fig. 4a

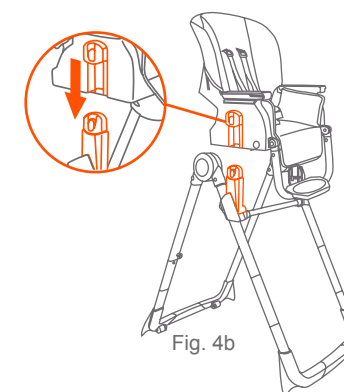


Fig. 4b

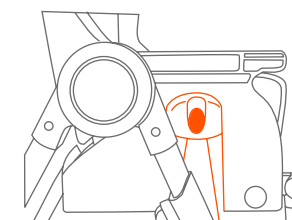


Fig. 4c

## TO ATTACH SEAT PAD

**NOTE:** Certain High Chair models are packaged with the High Chair Seat Pad and Seat Insert already attached to the Seat Back. If your model has a Seat Pad and Seat Insert on the Seat Back please skip ahead to Step 7.

- 5) • Thread non-buckle end of Harness Straps called Harness Attachment Tabs through the provided slots in the body insert, seat fabric, seat back (Fig. 5a), and seat base (Fig. 5b). When Harness Attachment Tabs are through the provided slots, rotate the Harness Attachment Tabs 90 degrees. Make sure that the straps are firmly in place.

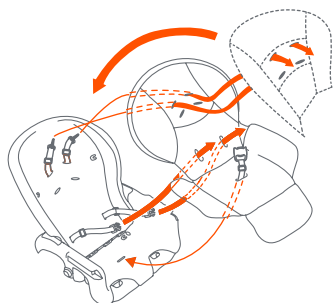


Fig. 5a

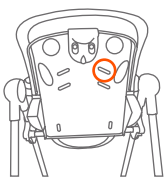


Fig. 5b

- 6) • Loop the flap on the back of the pad over the top of the Seat Back (Fig. 6a). Connect the Seat Pad to the Seat Back with the two Elastic Loops. These fit over the Attachment Tabs located near the top harness slots (Fig. 6b).

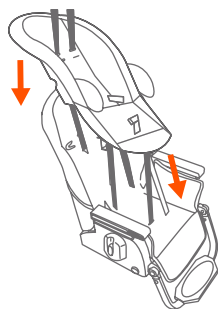


Fig. 6a

## TO REMOVE SEAT PAD

Reverse steps above.

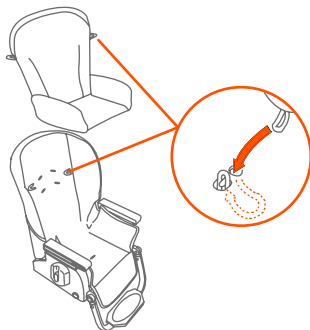


Fig. 6b

## TO ATTACH TRAY

**⚠ WARNING:** Always check that the high chair is locked in the open position before using.

**⚠ WARNING:** The tray is not designed to hold the child in the chair. The child must be secured by the safety harness at all times while in the high chair.

- 7) • To attach the Tray, line up the Grooves on the bottom of the Tray with the armrests of the high chair. Squeeze the front release handle and slide the Tray onto the armrests (Fig. 7a). The Tray has a 3-position adjustment. To adjust the position, squeeze the front release handle located underneath the Tray and reposition the Tray to the desired position. Release the Tray's handle. Make sure the Tray is securely locked in its new position before use.

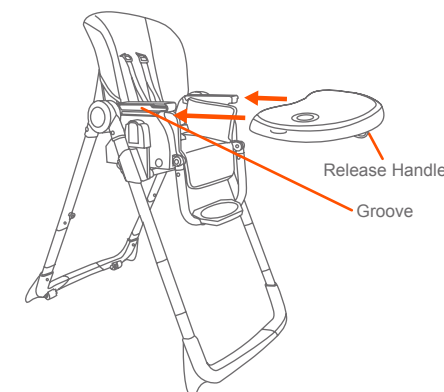


Fig. 7a

## ATTENTION:

Never leave the tray in a position where the warning signs are visible (Fig. 7b).

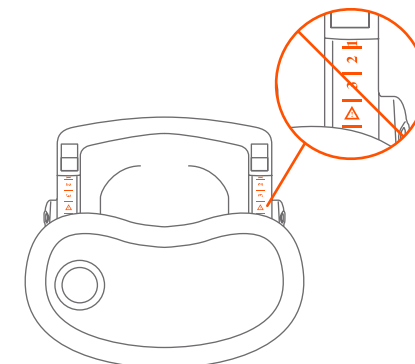


Fig. 7b

## TO ATTACH INSERT TRAY

- 8) • The dishwasher safe Tray Insert snaps onto the High Chair Tray and is held in place by tabs on the sides of the Tray. When installing the Tray Insert make sure that it snaps into place to prevent the child from removing the Tray Insert. To remove Insert unsnap tabs from the Tray (Fig. 8a).
- The Tray may be stored on the back legs of the High Chair. Align the holes in the rear of the tray with the small pegs on the back legs (Fig. 8b).

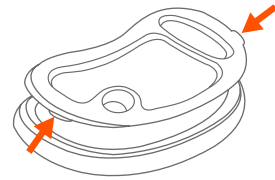


Fig. 8a

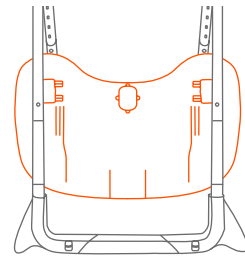


Fig. 8b

## TO USE SAFETY BELT

- ⚠ **WARNING:** It is recommended that only children capable of sitting upright unassisted use the high chair in the upright position.
- ⚠ **WARNING:** Prevent serious injury or death from falls or sliding out. Always secure child in the restraint system, either in the reclining, semi-reclining or upright position.

The Tray is not designed to hold the child in the chair. Always keep child in view while in high chair.

**NEVER** leave child unattended.

- 9) • The shoulder straps of the 5-point harness have 2 attachment positions. Select the position that places the shoulder strap level with, or below, the top of the child's shoulder (Fig. 9a).

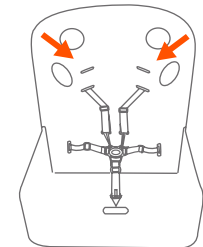
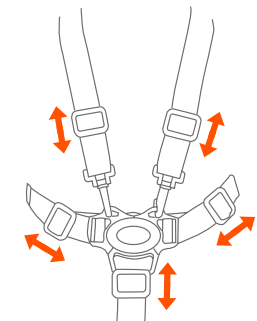


Fig. 9a

- Carefully place the child in the seat and position the safety harness around the child's waist and over the shoulders. Place the crotch strap between the child's legs. Insert the male end of each shoulder/waist belt into the buckle on the crotch strap. Tighten the harness to be snug around the child's waist and over the child's shoulders (Fig. 9b).



Adjust for a snug fit

Fig. 9b

## TO RELEASE THE CHILD

- 10) • To release the harness, push Button on Center Clasp, the two Harness Buckles will pop free (Fig. 10).

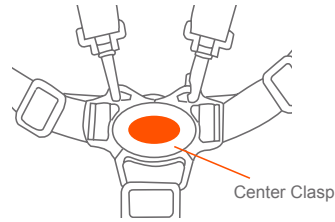


Fig. 10

## RECLINE SEAT

- 11) • Squeeze recline lever on back of the seat and adjust to the preferred recline or upright position (Fig.11).  
Use caution not to trap arms, hands and fingers when adjusting recline positions.

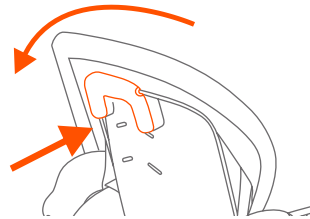


Fig. 11

## TO ADJUST SEAT HEIGHT

**⚠ WARNING:** Do not adjust seat height with child in seat. Adjust seat height before placing your child in the high chair.

**⚠ WARNING:** Always check that the height adjustment bracket is level and both left and right sides are locked before placing child in the high chair.

**⚠ WARNING:** Never rest the height adjustment bracket on the locking pins.

- 12) • Squeeze the Release Handles on both sides simultaneously of the Height Adjustment (Fig. 12a) and adjust to the ideal position (Fig. 12b).  
**DO NOT** adjust with child in the seat.

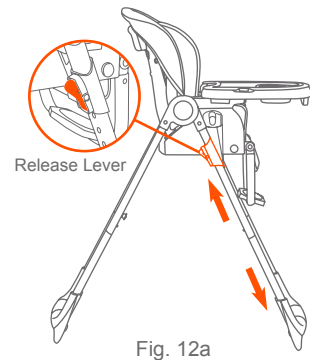


Fig. 12a

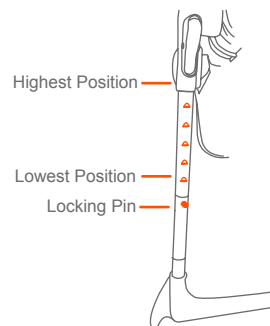


Fig. 12b

## ATTENTION:

Make sure the Height Brackets lock on the lowest position. **DO NOT** rest Height Adjustment Brackets on the Locking Pins (Fig. 12c).

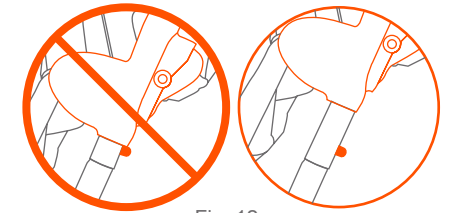


Fig. 12c

## ADJUSTING THE FOOTREST

- 13) • Press the buttons on both sides of the Footrest to adjust the Footrest up or down (Fig. 13).

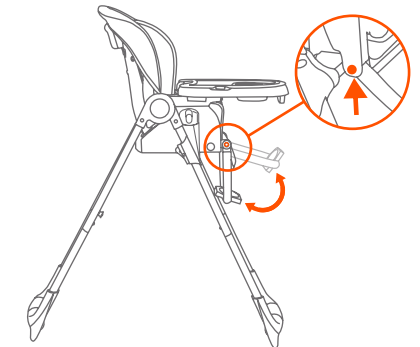


Fig. 13

## BRAKES

- 14) • To engage brakes, apply downward pressure to the brake tabs. Check that the High Chair will not move and that brakes are properly applied. To release, lift up on the brake tabs (Fig. 14).

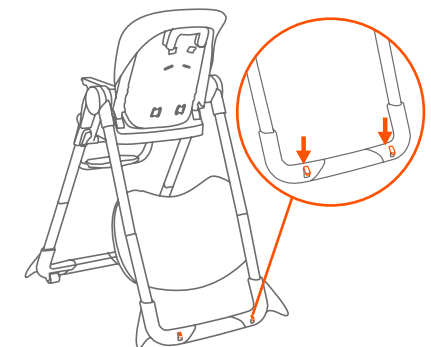


Fig. 14

## TO FOLD HIGH CHAIR

The High Chair may be folded with the seat in any of the height positions.

- 15) • Place seat in the desired height position. Place Seat Back in the most upright position (Fig. 15).

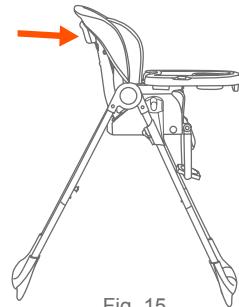


Fig. 15

- 16) • Squeeze the Tray release handle and slide the tray out (Fig. 16).

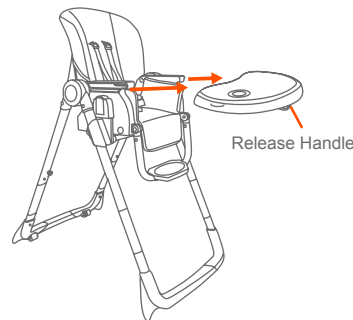


Fig. 16

- 17) • Hang the Tray on the pegs located on the back of the rear leg (Fig. 17).

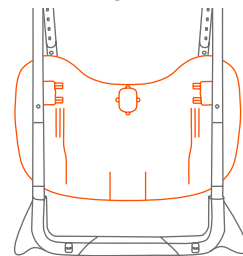


Fig. 17

- 18) • Press and hold release buttons (located on the sides of the frame) and push the rear legs in the direction of the front legs until folded (Fig. 18). Chair is now ready to put away.

This is not a toy. **DO NOT** allow your child to play around a folded high chair.

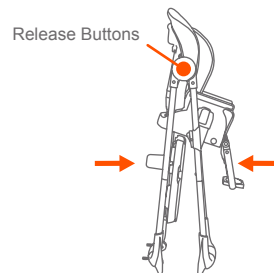


Fig. 18

## TO ATTACH BOOSTER SEAT TO CHAIR

- ⚠️ **WARNING:** Children have suffered **head injuries**, including skull fractures, **after falling** with or from booster seats.
  - Check that booster seat is **securely attached** to adult chair before each use.
  - **ALWAYS use restraints** until child is able to get in and out of booster seat without help. (about 2 1/2 years old) Adjust to **fit snugly**.
  - **NEVER** allow child to **push away from table**.
  - **NEVER** lift and **carry** child in booster seat.
  - **STAY NEAR** and **watch** your child during use.
  - **ALWAYS** check security of fit to adult chair before each use and limitation of the product.
  - **NEVER** use this product on a stool or bench that does not have a seat back.

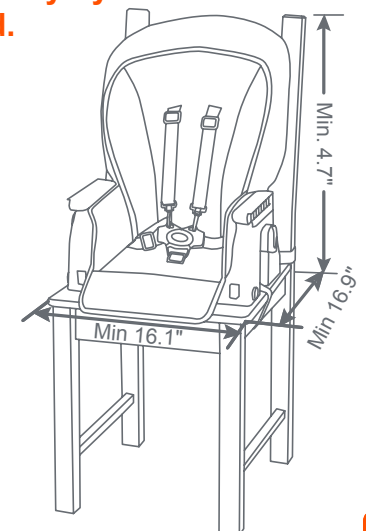
- ⚠️ **WARNING:** Prevent serious injury or death. Do not use in motor vehicles.

- ⚠️ **WARNING:** The tray is not designed to hold the child in the chair.

- ⚠️ **WARNING:** It is recommended that the booster seat be used in the upright position only by children capable of sitting upright unassisted.

- ⚠️ **WARNING:** Always secure the Booster Seat on a chair using the bottom and back attachment straps. Never use this Booster Seat on a stool or bench that does not have a seat back. Minimum adult chair size: Width: 16.1inch, depth: 16.9inch, backrest height: 4.7inch.

- **NEVER** lift this product with your child in it.
- **DO NOT** use this product if it is damaged or broken.





## TO UNFOLD HIGH CHAIR

Reverse steps above.

## TO ATTACH BOOSTER SEAT TO CHAIR

**⚠ WARNING:** Always secure the Booster Seat on a chair using the bottom and back attachment straps. Never use this Booster Seat on a stool or bench that does not have a seat back.

- 19) • Detach Seat from Upper Frame Assembly by pushing both modular release buttons on each side of the seat and lifting seat upwards (Fig. 19).  
**DO NOT** remove with child in the seat.

- 20) • Remove Footrest by pushing the release button on each side of the seat and pulling Footrest out of the Seat (Fig. 20).

- 21) • Turn Booster Seat over. Slide Strap Compartments open on the bottom of the Booster Seat (Fig. 21a).

- Pull the straps out of the Compartment (Fig. 21b). Then place the Booster Seat onto a chair that has a seat back with no armrests. Make sure there are not extra paddings or cushions on the chair.

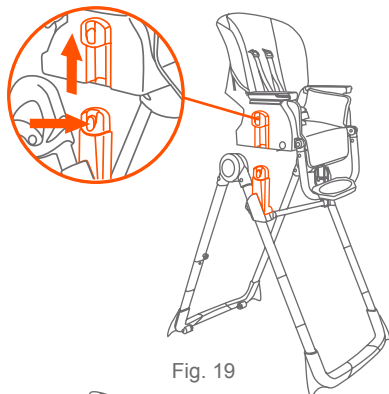


Fig. 19

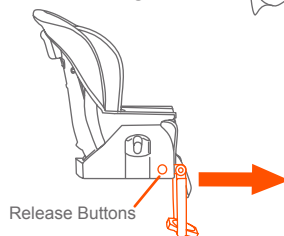


Fig. 20

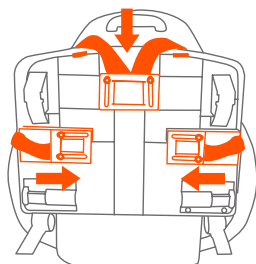


Fig. 21a

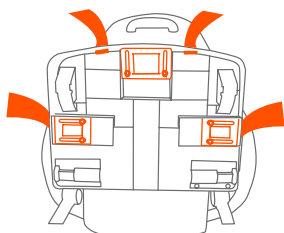


Fig. 21b

- Wrap the back straps around the back of the chair. Buckle the straps making sure you hear the buckle \*CLICK\* closed (Fig. 21c).

- Pull the free ends of the strap to firmly tighten the Booster Seat to the chair (Fig. 21d).

- Wrap bottom straps around the bottom of the chair. Buckle the straps making sure you hear buckle \*CLICK\* closed (Fig. 21e).

- Pull the free ends of the straps to firmly tighten the Booster Seat onto the chair (Fig. 21d).

- Check that the Booster is tightly installed by attempting to move the Booster Seat from side-to-side and up. The Booster Seat should not move more than 1 inch.

## TO REMOVE BOOSTER SEAT FROM CHAIR

- 22) • Turn Booster Seat over. Slide Strap Compartments open on the bottom of the Booster Seat (Fig. 22a).

- Fold the straps and put them in the compartment, then slide the Compartment Door closed (Fig. 22b).

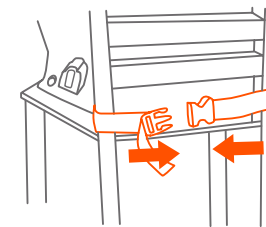


Fig. 21c



Fig. 21d

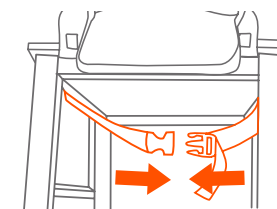


Fig. 21e

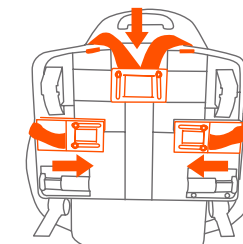


Fig. 22a

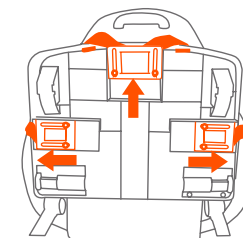


Fig. 22b

## INFANT CAR SEAT

**⚠ WARNING:** Avoid serious injury from falling or sliding out, always use the Infant Car Seat harness.

- **ONLY** approved SNAP TECH™ products can be used on the frame.

## ADJUST FRAME HEIGHT

**⚠ WARNING:** Do not adjust car seat height with child in seat. Adjust seat height before placing your child in the car seat.

**⚠ WARNING:** Always check that the Height Adjustment Bracket is level and both left and right sides locked before placing child in the car seat.

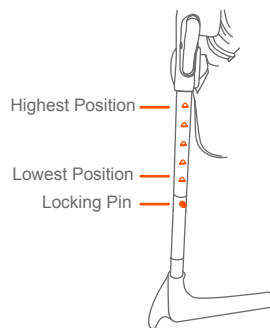
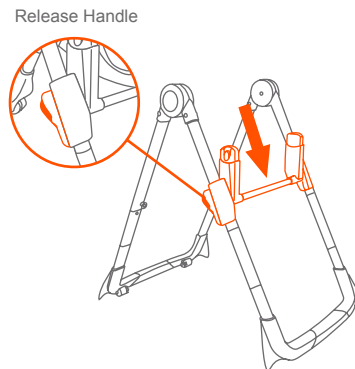
**⚠ WARNING:** Never use the car seat mode at any of the higher positions. Always use the car seat at the lowest position.

**⚠ WARNING:** Never rest the height adjustment bracket on the locking pins.

- 23) • Squeeze both left and right Release Handles of the Height Adjustment Bracket and adjust to the lowest position (Fig. 23a). **DO NOT** adjust with child in the seat.

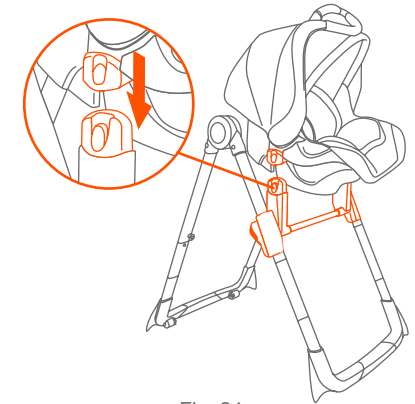
### ATTENTION:

The Height Adjustment Bracket must be set at the lowest position before placing car seat (Fig. 23b).



## TO ATTACH CAR SEAT

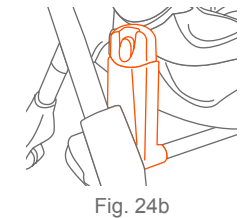
- 24) • Connect the Car Seat and lock into place (Fig. 24a). Make sure its locked firmly in place before use (Fig. 24b).



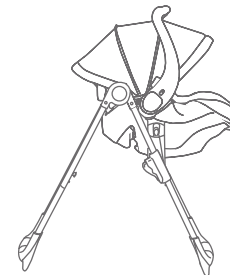
## TO REMOVE CAR SEAT

- 25) • Detach Car Seat from Upper Frame Assembly by pushing both modular release buttons on each side of the seat and lifting seat upwards (Fig. 25).

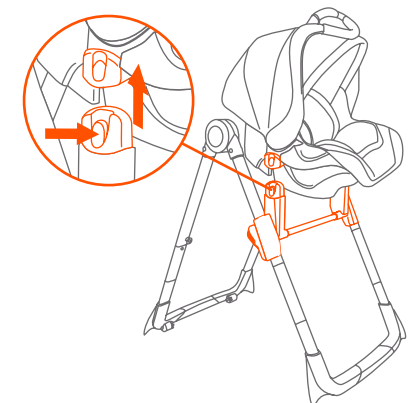
- **ONLY** approved SNAP TECH™ products can be used on the frame.



### CAR SEAT MODE



Infant car seat sold separately



## TODDLER SEAT ASSEMBLY

### ATTENTION:

Recommended age for Toddler Seat use is 2-4 years of age.

Always assist your child into and out of the seat.

Before using the toddler seat, remove tray (step 16), lock wheels (step 14), before using toddler seat.

- 26) • Completely remove the harness and buckle from the product by threading the strap ends through the seat back (Fig. 26a).
  - Remove extension tubes from the front and rear legs by pushing the locking pins in and pulling tubes (Fig. 26b).
  - Reassemble the Front and Rear Legs by inserting the tube ends into the Upper Frame Assemblies (Fig. 26c).
- NOTE:** Legs are properly connected when the locking pins are lined up with the holes on the ends of the Upper Frame Assemblies. Make sure the locking pins are engaged before use.

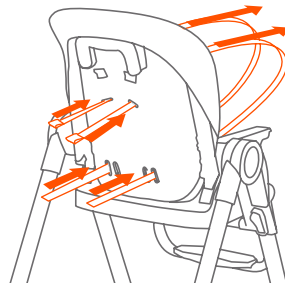


Fig. 26a

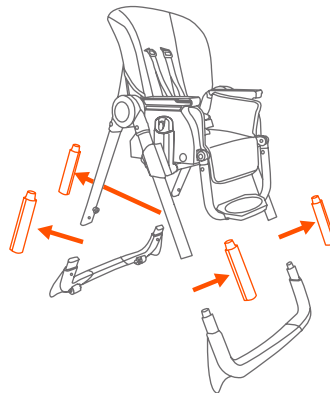


Fig. 26b

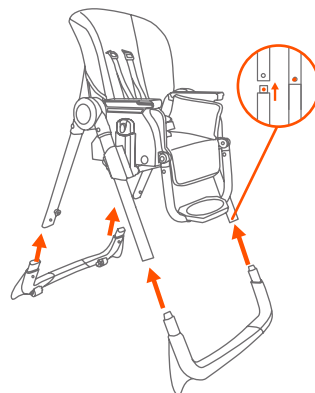


Fig. 26c

## CARE AND MAINTENANCE

**⚠ WARNING:** Harness Straps and Basket are **NOT** washable.

**Dishwasher Safe Tray Insert:** The Tray Insert is dishwasher safe to 160° F (71° C). Do not use scouring pads on the Tray Insert as they will damage the surface and the Tray Insert will become more difficult to clean.

**High Chair/Tray:** Use mild soap and wash with damp cloth. Please use only a soft bristle brush, sponge or cloth to clean the surface or remove particles of food. **DO NOT** submerge High Chair and Tray in water. Surface clean only.

**Seat Pad** (please refer to care label on the seat pad for cleaning instructions)

To remove the seat pad:

Remove Harness Straps by pushing Harness Attachment Tabs through the Harness slots on the Seat Back, Seat Base and Seat Pad. Remove Elastic Loops from Attachment Tabs on Seat Base and Seat Back.

To attach the seat pad:

Carefully follow the instructions outlined in Step 6 on how to correctly re-thread the safety harness.

**Non-Washable Seat Pad:** Use mild soap and wipe with damp cloth. **NOT MACHINE WASHABLE.**

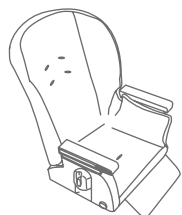
### Basket

**NOTE:** Certain Models will have a Basket underneath the seat for storage. These Models will be packaged with the Basket already attached to the Seat Base.

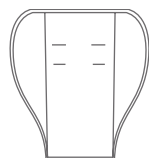
To remove: The Basket is attached by four snaps. Release these snaps for removal.

To attach: Feed snap strips around Basket Slots underneath Seat Base. Press firmly on the four snaps.

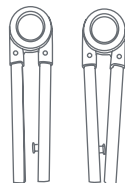
Verifique que tenga todas las piezas para este modelo antes de montar.



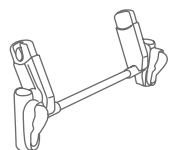
Booster Silla



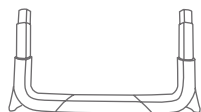
Almohadilla del Asiento



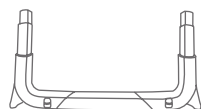
Conjunto de marco superior (X2)



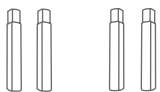
Ajustador Altura



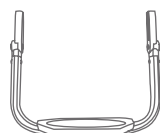
Patas de Enfrente



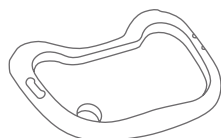
Patas Traceras



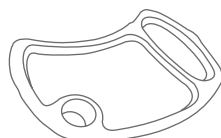
Tubos de extensión A (X2)  
Tubos de extensión B (X2)



Apoya Piés



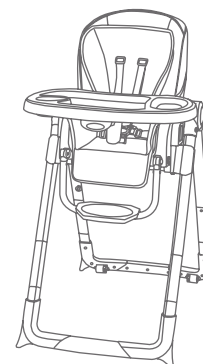
Bandeja



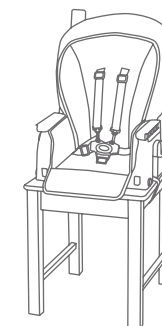
Accesorio de la Bandeja

## LOS MODOS DE EMPLEO

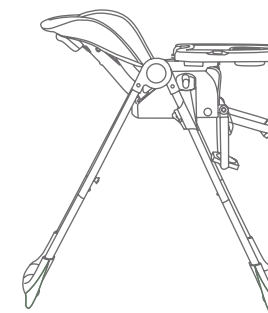
### Silla Alta Tradicional



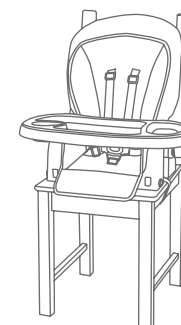
### Asiento Elevador De Niños



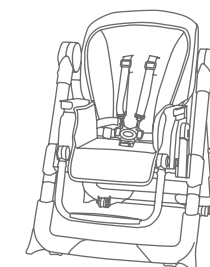
### Alimentación Infantil



### Asiento Elevador Para Bebés



### Silla Para Niños Pequeños



• Aprobado **SOLAMENTE SNAP TECH™** productos pueden ser utilizados en el armazón.

⚠️ **ADVERTENCIA:** La inobservancia de las advertencias e instrucciones podría causar lesiones graves o la muerte.

⚠️ **ADVERTENCIA:** Evite lesiones graves o la muerte por caídas o deslizamiento. Sujete siempre al niño con el cinturón de seguridad. **NUNCA** deje al niño solo.

⚠️ **ADVERTENCIA:** Todo el tiempo que esté en la silla alta, el niño debe estar protegido por el sistema de sujeción de cinco puntos, en la posición reclinable, semirreclinable o erguida. La bandeja no está diseñada para contener al niño en la silla. Se recomienda que la silla alta se utilice en la posición erguida sólo si el niño puede sentarse erguido sin ayuda. Consulte la página 30 para obtener instrucciones sobre el uso correcto del sistema del cinturón de seguridad.

- Aprobado **SOLAMENTE SNAP TECH™** productos pueden ser utilizados en el armazón.
- Otros elementos adicionales pueden alterar el equilibrio de la silla alta y crear una condición inestable peligrosa; utilice juguetes aprobados por Baby Trend.
- Asegúrese de que la silla alta esté completamente erguida y trabada en la posición abierta antes de que el niño se acerque a ésta.
- Si un niño que pesa más de 40 libras utiliza la silla, se generarán un desgaste y una tensión excesivos en la silla alta.
- **NUNCA** deje que la silla alta se utilice como un juguete.
- **NUNCA** utilice este producto si hay sujeciones sueltas o ausentes, uniones flojas, piezas rotas o si la tela o la malla están rasgadas. Revise antes de armar y en forma periódica durante el uso. Si necesita repuestos, reparación o instrucciones, llame al servicio de atención al cliente de Baby Trend al 1-800-328-7363. **NUNCA** reemplace piezas.

**IMPORTANTE!** Para garantizar la operación segura del producto, siga estas instrucciones cuidadosamente. Conserve estas instrucciones para consultarlas en el futuro.

**IMPORTANTE!** Antes del armado y de cada uso, examine el producto para detectar accesorios dañados, uniones flojas, piezas ausentes o bordes puntiagudos. **NUNCA** utilice la silla con piezas ausentes o rotas.

**IMPORTANTE!** Un adulto debe armar el equipo.

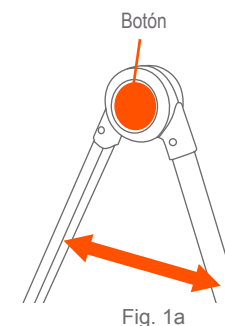
**IMPORTANTE!** Controle siempre que la silla alta esté trabada en la posición abierta antes de usarla.

### ATENCIÓN:

Retire cuidadosamente las piezas de la caja. Antes de armar la silla alta, verifique que tenga todas las piezas de este modelo. **NOTA:** Ciertos modelos de sillas altas se empaquetan con la malla del asiento de la silla alta y el accesorio del asiento previamente unidos al respaldo del asiento.

### MONTAJE DEL ARMAZÓN

- 1) • Tome cualquiera de los Montajes del armazón superior (izquierdo o derecho), oprima y mantenga presionado el botón, y extienda el armazón y luego suelte el botón rojo (Fig. 1a).



- Introduzca el tubo delantero del Montaje del armazón superior del lado izquierdo y derecho en el Ajustador Altura (Fig. 1b). El tubo delantero se distingue fácilmente del tubo trasero por el despliegue de agujeros situados en la parte posterior del tubo delantero.

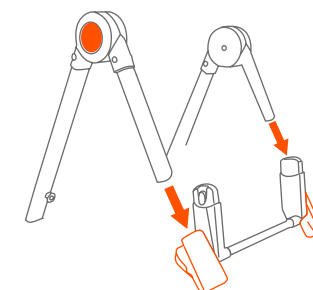


Fig. 1b

- Apriete izquierda y derecha las Manijas de liberación simultáneamente y empuje el tubo por los Ajustador Altura hasta que se traben en la posición más alta (Fig. 2).

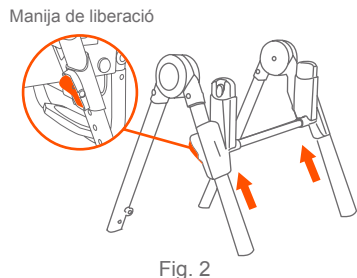


Fig. 2

- Conecte las patas delanteras y traseras al montaje del armazón superior introduciendo los extremos de los tubos en los tubos de extensión. Separe los tubos A y B (Fig. 3a).

Frente a las patas delanteras los tubos A se conectan a la pata izquierda y los tubos B se conectan a la pata derecha. Frente a las patas traseras, los tubos A se conectan a la pata izquierda y los tubos B se conectan a la pata derecha (Fig. 3b).

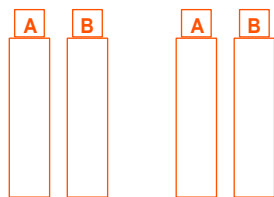


Fig. 3a

**NOTA:** Las patas se conectan correctamente cuando los botones pulsadores se alinean con los orificios ubicados en los extremos de los conjuntos de marco superior. Asegúrese de que los botones pulsadores estén conectados antes del uso.

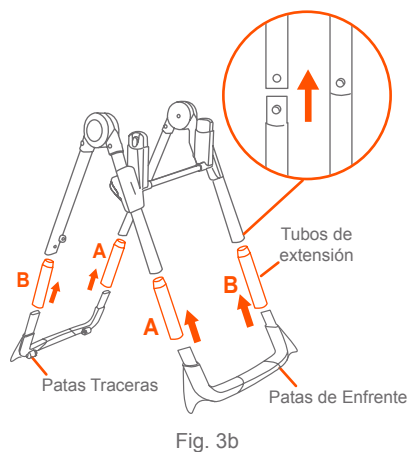


Fig. 3b

## PARA ARMAR EL BOOSTER DE SILLA

- Aprobado **SOLAMENTE SNAP TECH™** productos pueden ser utilizados en el armazón.
- Deslice los postes del apoyapiés hacia el interior del frente de la sillita hasta que se traben (Fig. 4a).
  - Conecte la sillita y trábela (Fig. 4b). Asegúrese de que esté bien trabada antes de usarla (Fig. 4c).

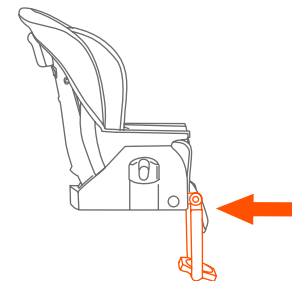


Fig. 4a

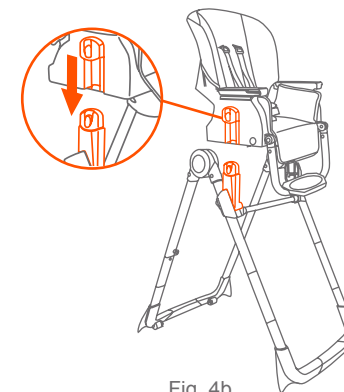


Fig. 4b

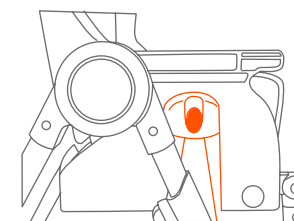


Fig. 4c

## PARA COLOCAR LA ALMOHADILLA DEL ASIENTO

**NOTA:** Algunos modelos de silla alta incluyen la almohadilla del asiento para sillas altas y el accesorio del asiento ya unidos al respaldo del asiento. Si su modelo incluye una almohadilla de asiento y el accesorio del asiento en el respaldo del asiento, omita el paso 7.

- 5) • Pase el extremo sin hebilla de las correas del arnés denominadas lengüetas de sujeción del arnés por las ranuras en la tela del asiento, el accesorio, el respaldo (Fig. 5a) y la base del asiento (Fig. 5b). Una vez que las lengüetas de sujeción del arnés hayan atravesado las ranuras, gire las lengüetas 90 grados. Asegúrese de que las correas están colocadas firmemente en su lugar.

- 6) • Sujete con un lazo la aleta de la parte posterior de la almohadilla a la parte superior del respaldo del asiento (Fig. 6a). Sujete la almohadilla del asiento al respaldo del asiento con dos lazos elásticos. Éstos se ajustan a las lengüetas de sujeción ubicadas cerca de las ranuras superiores del arnés (Fig. 6b).

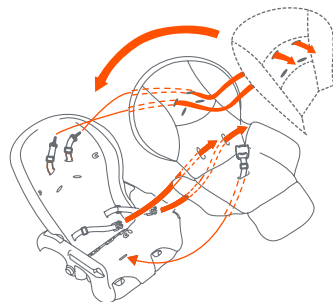


Fig. 5a

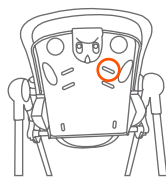


Fig. 5b

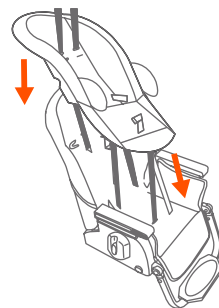


Fig. 6a

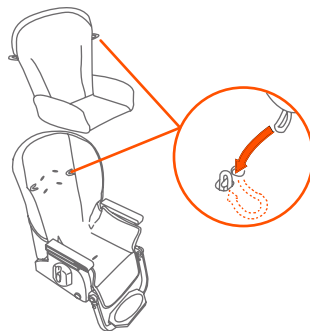


Fig. 6b

## PARA QUITAR LA ALMOHADILLA DEL ASIENTO

Invierta los pasos mencionados anteriormente.

## PARA SUJETAR Y UTILIZAR LA BANDEJA

**⚠️ ADVERTENCIA:** Controle siempre que la silla alta esté trabada en la posición abierta antes de usarla.

**⚠️ ADVERTENCIA:** La bandeja no está diseñada para contener al niño en la silla. Todo el tiempo que esté en la silla alta, el niño debe estar protegido por el sistema de sujeción.

- 7) • Para sujetar la Bandeja, alinee las muescas en la parte inferior de la bandeja con los apoyabrazos de la sillita alta. Apriete la manija de liberación delantera y deslice la bandeja dentro de los apoyabrazos (Fig. 7a). La Bandeja tiene un ajuste de 3 posiciones. Para ajustar la posición, apriete la manija de liberación delantera ubicada debajo de la bandeja, y vuelva a colocar la bandeja en la posición deseada. Suelte la manija de la Bandeja. Asegúrese de que la Bandeja esté bien trabada en su nueva posición antes de usarla.

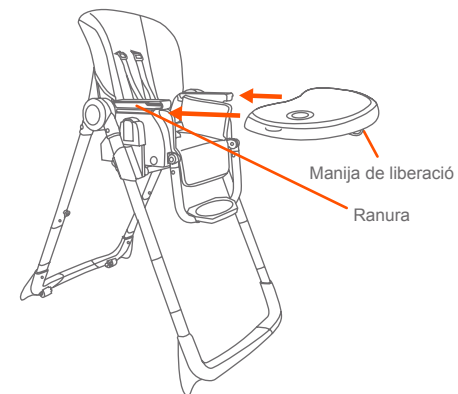


Fig. 7a

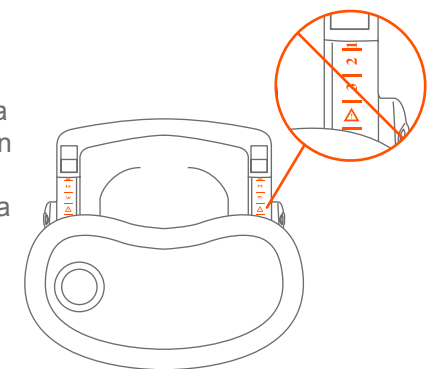


Fig. 7b

## ATENCIÓN:

Nunca deje la bandeja posicionada de manera que se vean las señales de advertencia (Fig. 7b).

## PARA SUJETAR LA BANDEJA DE ACCESORIO

8) • El accesorio de la bandeja de alimentos apta para lavavajillas se encaja en la bandeja de la silla alta y se sostiene en su lugar mediante lengüetas en los costados de la bandeja. Al instalar el accesorio de la bandeja, asegúrese de que quede encajado en su lugar para que el niño no pueda retirarlo. Para retirar el accesorio, destrabe las lengüetas de la bandeja (Fig. 8a).

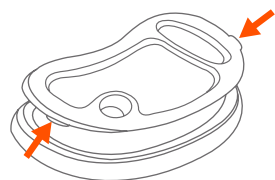


Fig. 8a

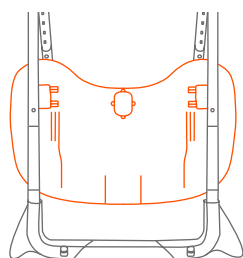


Fig. 8b

• La bandeja podrá guardarse en las piernas traseras de la sillita alta. Alinee los orificios en la parte trasera de la bandeja con los ganchitos de las piernas de atrás (Fig. 8b).

## PARA USAR EL CINTURÓN DE SEGURIDAD

**⚠️ ADVERTENCIA:**  
Se recomienda que sólo los niños que pueden sentarse en posición erguida sin supervisión usen la silla alta en la posición erguida.

**⚠️ ADVERTENCIA:**  
Evite lesiones graves o la muerte por caídas o deslizamiento. Sujete siempre al niño con el sistema del cinturón de seguridad, ya sea en la posición.

La bandeja no está diseñada para contener al niño en la silla. Siempre mantenga al niño a la vista mientras esté en la silla alta.

**NUNCA** deje al niño solo.

9) • Las correas del hombro del arnés de 5 puntos tienen 2 posiciones de sujeción. escoja la posición que sitúe a la correa del hombro al mismo nivel o a un nivel inferior a la parte superior del hombro del niño (Fig. 9a).

• Coloque cuidadosamente al niño en la sillita y pase el arnés de seguridad por la cintura del niño y por encima de los hombros. Coloque la correa de la entrepierna entre las piernas del niño. Introduzca el extremo macho del cinturón de cada hombro o de la cintura en la hebilla de la correa de la entrepierna. Ajuste el arnés de modo que esté ceñido alrededor de la cintura del niño y por encima de sus hombros (Fig. 9b).

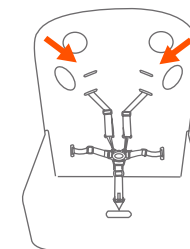
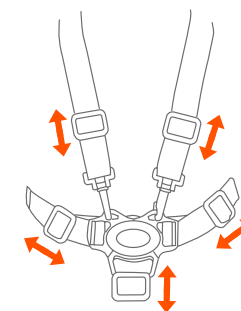


Fig. 9a



Regule para lograr un buen ajuste

Fig. 9b



## TO RELEASE THE CHILD

- 10) • Para soltar el arnés, presione Botón en el Broche Central y se desprenderán las dos Hebillas del Arnés (Fig. 10).

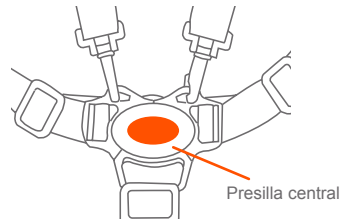


Fig. 10

## ASIENTO RECLINABLE

- 11) • Presione la palanca de reclinación en la parte posterior del asiento y ajuste en la posición que desee, ya sea reclinable o erguida (Fig. 11).  
Tenga la precaución de no atrapar los brazos, manos y dedos al ajustar las posiciones de reclinación.

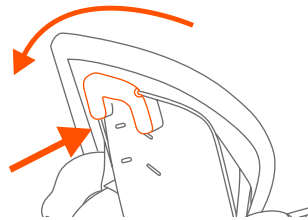


Fig. 11

## PARA AJUSTAR LA ALTURA DEL ASIENTO

**ADVERTENCIA:**  
No ajuste la altura del asiento mientras el niño esté en él. Ajuste la altura del asiento antes de colocar al niño en la silla alta.

**ADVERTENCIA:**  
Verifique que el soporte de ajuste de altura esté nivelado y los lados izquierdo y derecho estén trabados antes de colocar al niño en la silla alta.

**ADVERTENCIA:**  
Nunca descansa el soporte de ajuste de altura en los pasadores de seguridad.

- 12) • Apriete izquierda y derecha las Manijas de liberación simultáneamente y empuje el tubo por los Ajustador Altura (Fig. 12a) y coloque en la posición que desee (Fig. 12b).  
**NO** ajuste con el niño en la silla.

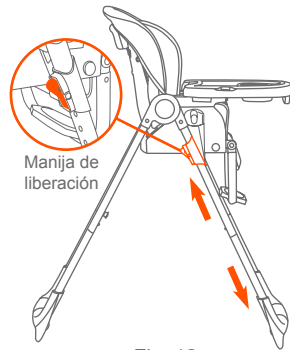


Fig. 12a

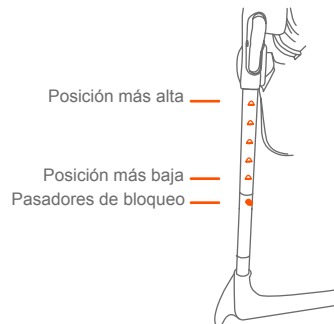


Fig. 12b

## ATENCIÓN:

Asegúrese de que el bloqueo de los soportes de altura en la posición más baja. **NO** descansan los soportes de ajuste de altura en los pasadores de seguridad (Fig. 12c).

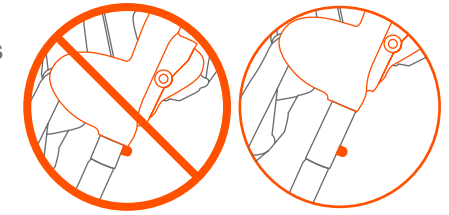


Fig. 12c

## CÓMO AJUSTAR EL APOYAPIÉS

- 13) • Presione los botones de los dos lados del apoyapiés para ajustarlo hacia arriba o hacia abajo (Fig. 13).

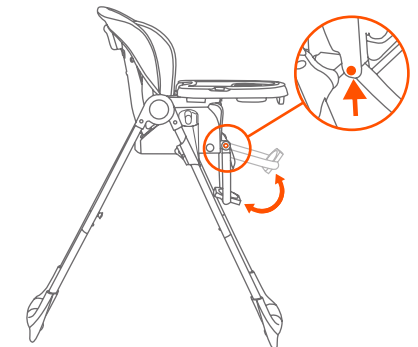


Fig. 13

## FRENOS

- 14) • Para enganchar los frenos, aplique presión hacia abajo a las fichas del freno. Compruebe que la silla de comer no se moverá y que frenos se aplican correctamente. Para liberar, levante las fichas del freno (Fig. 14).

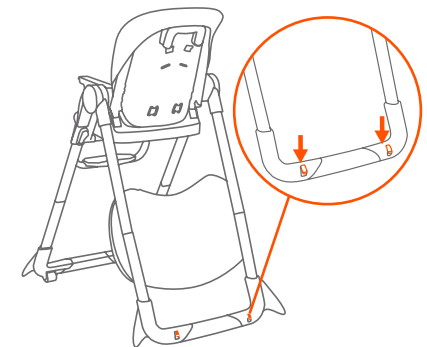


Fig. 14

## PARA PLEGAR LA SILLA ALTA

La silla alta puede plegarse con el asiento colocado en cualquiera de las posiciones de altura.

15) • Coloque el asiento en la posición de altura deseada. Coloque el respaldo del asiento en la posición más erguida (Fig. 15).

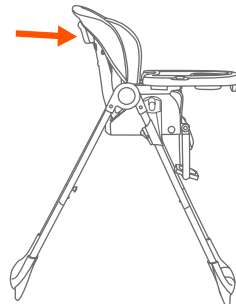


Fig. 15

16) • Presione la manija de liberación de la bandeja y deslice la bandeja hacia afuera (Fig. 16).

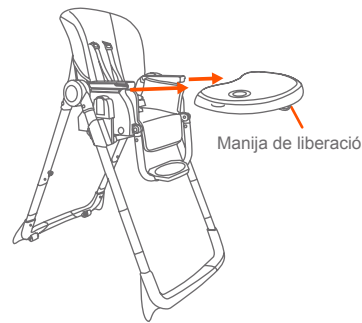


Fig. 16

17) • Tome los ganchos de la bandeja ubicados en la parte posterior de la pata de atrás (Fig. 17).

18) • Tire hacia arriba las palancas de liberación (ubicadas a los costados del armazón) y empuje las patas traseras en dirección a las patas delanteras hasta que se plieguen (Fig. 18). La silla ya está lista para guardarla.

Este no es un juguete. **NO** permita que su hijo juegue cerca de una sillita alta plegada.

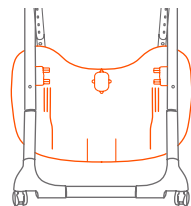


Fig. 17

## PARA DESPLEGAR LA SILLA ALTA

Invierta los pasos mencionados anteriormente.

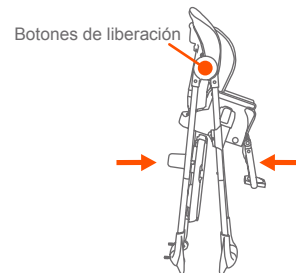


Fig. 18

## PARA COLOCAR BOOSTER DE SILLA

⚠️ **ADVERTENCIA:** Hay niños que han sufrido lesiones de cabeza, incluidas fracturas de cráneo, luego de caerse de las sillitas elevadas.

- Verifique que la sillita elevada esté **sujeta de manera segura** a la silla de adultos antes de cada uso.
- **SIEMPRE** use sujeciones hasta que el niño pueda entrar y salir de la sillita elevada sin ayuda. (aproximadamente 2 años y medio de edad) Ajustar ceñido.
- **NUNCA** permita que el niño se empuje para apartarse de la mesa.
- **NUNCA** levante y traslade al niño en una sillita elevada.
- Manténgase **CERCA** y vigile a su hijo durante su uso.
- **SIEMPRE** controle que se adapte de manera segura a la silla de adultos antes de cada uso y la limitación del producto.
- **NUNCA** use este producto sobre una banqueta o banco sin respaldo.

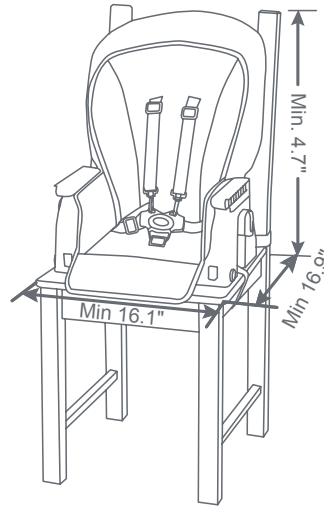
⚠️ **ADVERTENCIA:** Evite una lesión grave o la muerte. No utilizar en los vehículos de motor.

⚠️ **ADVERTENCIA:** La bandeja no fue diseñada para sostener al niño en la silla.

⚠️ **ADVERTENCIA:** Es recomendable que el asiento elevador se utilice en posición vertical sólo por los niños capaces de sentarse erguido por sí solos.

**⚠️ ADVERTENCIA:**  
Asegure siempre el asiento infantil a una silla por medio de las cintas de ajuste inferior y posterior. Nunca use este asiento infantil en un banco o banqueta sin respaldo. Tamaño mínimo de la silla para adultos: ancho: 16.1 pulgadas, profundidad: 16.9 pulgadas, altura del respaldo: 4.7 pulgadas.

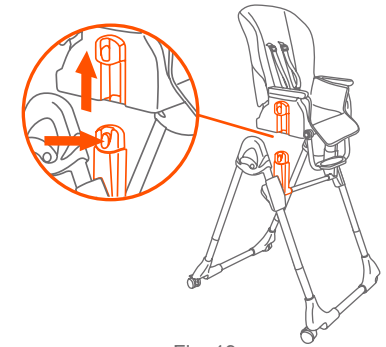
- **NUNCA** levante este producto con su hijo encima.
- **NO** use este producto si está dañado o roto.



## PARA COLOCAR BOOSTER DE SILLA

**⚠️ ADVERTENCIA:**  
Siempre sujete la Sillita elevada a una silla usando las correas de sujeción de la parte inferior y del respaldo. Nunca use esta Sillita elevada sobre una banqueta o banco que no tengan respaldo.

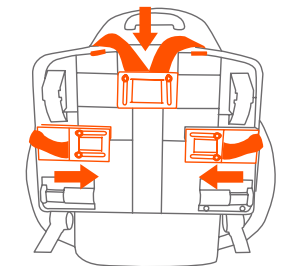
- 19) • Desprenda la Sillita del Montaje de las patas armazón superior ambos botones centrales a cada lado de la sillita y levantando la sillita (Fig. 19).  
**NO** la retire con el niño en la sillita.



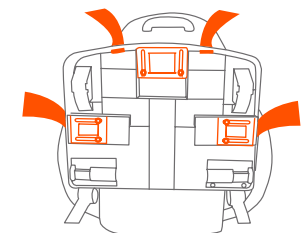
- 20) • Retire el Apoyapiés presionando el botón de liberación a cada lado del asiento y tirando del Apoyapiés hacia fuera del Asiento (Fig. 20).



- 21) • Gire la Sillita Elevada boca abajo (Fig. 21a). Deslice para abrir el compartimento de las correas en la parte inferior de la Sillita Elevada.



- Quite las correas afuera del compartimento. Entonces coloque el Sillita Elevada en una silla que tenga un respaldo sin apoyabrazos. Asegúrese de que no hay relleno de más o cojines en la silla (Fig. 21b).



- Envuelva las correas alrededor del respaldo de la silla. Enganche las hebillas asegurándose que escuche el \* CLIC\* de la hebilla cerrando (Fig. 21c).

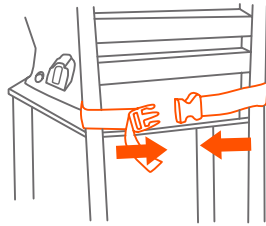


Fig. 21c

- Jale los extremos libres de la correa para apretar firmemente la Sillita Elevada a la silla (Fig. 21d).



Fig. 21d

- Envuelva las correas inferiores alrededor de la parte inferior de la silla. Enganche las hebillas asegurándose que escuche el \* CLIC \* de las hebillas cerrando (Fig. 21e).

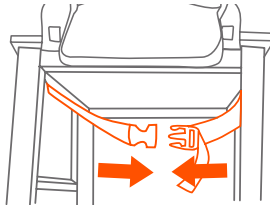


Fig. 21e

- Jale los extremos libres de la correa para apretar firmemente la Sillita Elevada a la silla (Fig. 21d).

- Compruebe que el Booster este completamente ajustado por agarrar el Booster y tratar de mover el Booster de lado a lado y arriba. La Sillita Elevada no debe moverse más de 1 pulgada. Installer le siège portable sur une chaise munie d'un dossier.

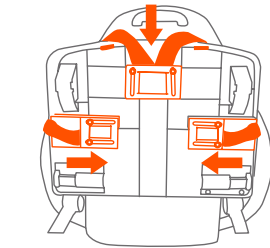


Fig. 22a

## PARA REMOVER LA SILLITA ELEVADA

22) • Gire la Sillita Elevada boca abajo. Deslice para abrir el compartimento de las correas en la parte inferior de la Sillita Elevada (Fig. 22a).

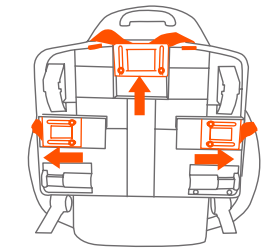


Fig. 22b

- Doble las correas y meta las en el compartimento, entonces deslice la puerta para cerrar el compartimento (Fig. 22b).

## SILLITA PARA EL AUTOMÓVIL

**⚠️ ADVERTENCIA:** Evite lesiones graves por caídas o resbalones, siempre use el arnés de la sillita para el automóvil.

- Aprobado **SOLAMENTE SNAP TECH™** productos pueden ser utilizados en el armazón.

## PARA AJUSTAR EL ARMAZÓN

**⚠️ ADVERTENCIA:** No ajuste la altura del sillita para el automóvil mientras el niño esté en él. Ajuste la altura del asiento antes de colocar al niño en la silla.

**⚠️ ADVERTENCIA:** Verifique que el soporte de ajuste de altura esté nivelado y los lados izquierdo y derecho estén trabados antes de colocar al niño en la sillita para el automóvil.

**⚠️ ADVERTENCIA:** Nunca utilice el modo de asiento de coche en cualquiera de las posiciones más altas. Siempre utilice el asiento en la posición más baja.

**⚠️ ADVERTENCIA:** Nunca descansa el soporte de ajuste de altura en los pasadores de seguridad.

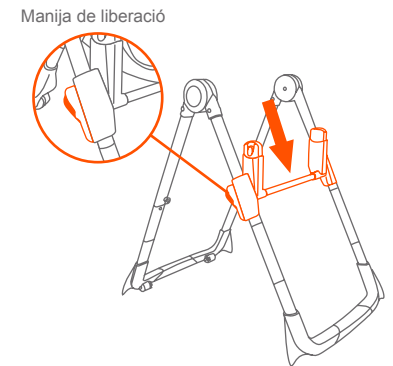


Fig. 23a

23) • Presione las Manijas derecha e izquierda del soporte de ajuste de altura y coloque en la posición más bajo (Fig. 23a). **NO** ajuste con el niño en la sillita.

## ATENCIÓN:

El soporte de ajuste de altura deben ser ajustado a la posición más baja antes de colocar la silla de auto (Fig. 23b).

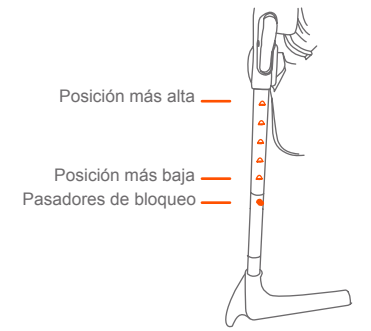


Fig. 23b

## PARA ARMAR EL SILLITA PARA EL AUTOMÓVIL

- 24) • Conecte la sillita para el automóvil y trábela (Fig. 24a). Asegúrese de que esté bien trabada antes de usarla (Fig. 24b).

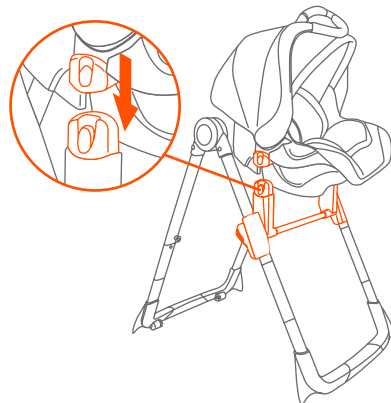


Fig. 24a

## PARA RETIRAR LA SILLITA PARA EL AUTOMÓVIL

- 25) • Desprenda la sillita para el automóvil del Montaje de las patas armazón superior ambos botones centrales a cada lado de la sillita y levantando la sillita (Fig. 25).

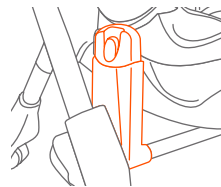
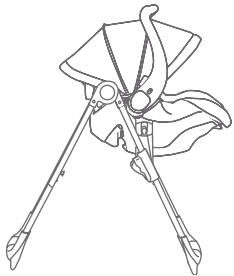


Fig. 24b

Sillita Para El Automóvil Modo



La sillita puede quedar mirando hacia cualquiera de las direcciones, ya sea hacia adelante o hacia atrás.

**Asiento infantil para automóvil se vende por separado**

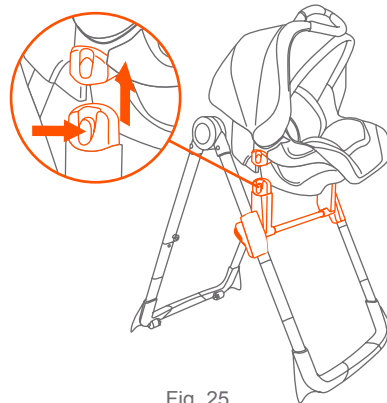


Fig. 25

## MONTAJE DE ASIENTO PARA NIÑOS PEQUEÑOS

### ATENCIÓN:

La edad recomendada para la silla para niños pequeños es de 2 a 4 años.

Siempre ayude a poner y a sacar al niño de su silla.

Siempre quite la bandeja (paso 16) y trabe las ruedas (paso 14) antes de usar la sillita para niños pequeños.

- 26) • Retirez complètement le harnais et la boucle du produit par enfilant les bouts de la courroie à travers l'arrière du siège (Fig. 26a).

- Quite los tubos de extensión de las patas delanteras y traseras apretando los pernos de sujeción y jalando los tubos (Fig. 26b).

- Vuelva a poner las patas delanteras y traseras introduciendo los extremos de los tubos en el montaje del armazón superior (Fig. 26c).

**Nota:** Las patas están conectadas adecuadamente cuando los pernos de sujeción están alineados con los orificios de las extremidades del montaje del armazón superior. Asegúrese de que los pernos de sujeción estén sujetando firmemente antes de usar.

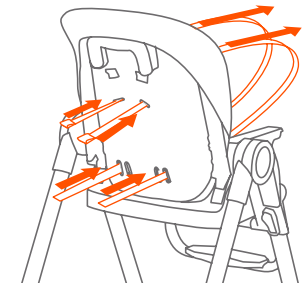


Fig. 26a

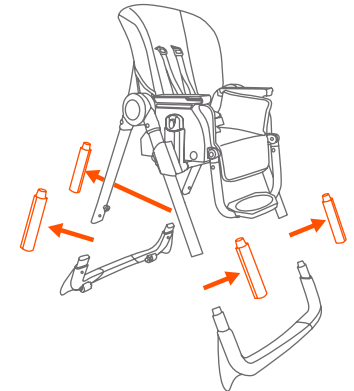


Fig. 26b

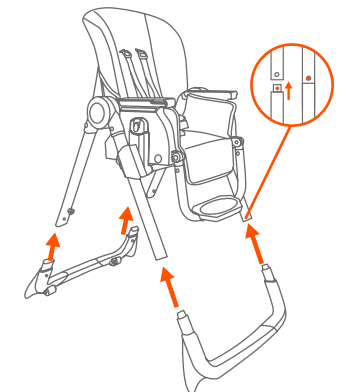


Fig. 26c

## CUIDADO Y MANTENIMIENTO

**⚠️ ADVERTENCIA :** Las correas del arnés y la cesta **NO son lavables.**

**Accesorio de la bandeja apta para lavavajillas:** El accesorio de la bandeja es apto para el lavavajillas a 160° F (71° C). No use almohadillas de limpieza en el accesorio de la bandeja, ya que pueden dañar la superficie y el accesorio será más difícil de limpiar.

**Silla alta y bandeja:** Limpie la silla alta y la bandeja después de cada uso con jabón suave de uso doméstico. Utilice únicamente un cepillo de cerdas suaves, una esponja o un paño para limpiar la superficie o eliminar las partículas de alimento. **NO** sumerja la silla alta ni la bandeja en agua. Pueden limpiarse sólo las superficies.

**Almohadilla del asiento** (consulte la etiqueta sobre el cuidado en la almohadilla del asiento para obtener instrucciones de limpieza)

Para retirar la almohadilla del asiento: Quite las correas del arnés al presionar las lengüetas de sujeción del arnés a través de las ranuras del arnés en el respaldo, la base y la almohadilla del asiento. Quite los lazos elásticos de las lengüetas de sujeción en la base y el respaldo del asiento.

Para colocar la almohadilla del asiento: Asegúrese de seguir atentamente las instrucciones de la parte 6 sobre cómo volver a ensartar el arnés de seguridad de manera correcta.

**Almohadilla del asiento no lavable:** Use jabón suave y limpie con trapo húmedo. **NO LAVE A MÁQUINA** la almohadilla del asiento.

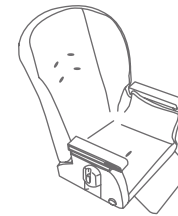
### Cesta

**NOTA:** Algunos modelos incluyen una cesta debajo del asiento para colocar objetos. Estos modelos se empaquetan con la cesta ya colocada en la base del asiento.

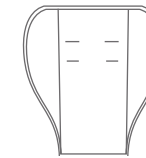
Para quitarla: La cesta se coloca mediante cuatro trabas. Libere estas trabas para retirarla.

Para colocarla: Coloque las tiras con trabas alrededor de las ranuras de la cesta ubicadas debajo de la base del asiento. Presione las cuatro trabas firmemente.

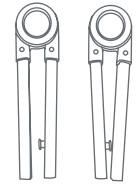
Vérifiez que vous avez bien toutes les pièces pour ce modèle avant de monter



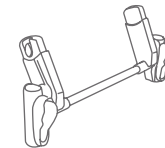
Booster Siège



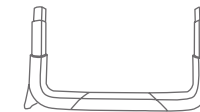
Coussin



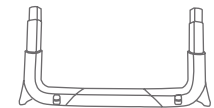
Assemblage supérieur de l'armature (X2)



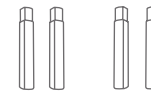
Crochet D'ajustement en Hauteur



Pattes Avant



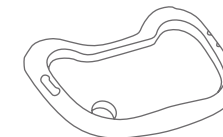
Pattes Arrière



Tubes de rallonge A (X2)  
Tubes de rallonge B (X2)



Repose-pieds



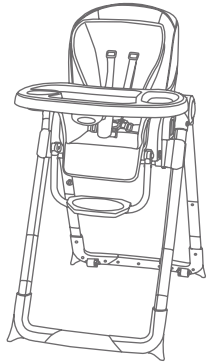
Tablette



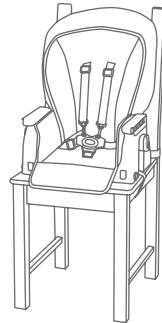
Plateau Pour Aliments

## LES MODES D'UTILISATION

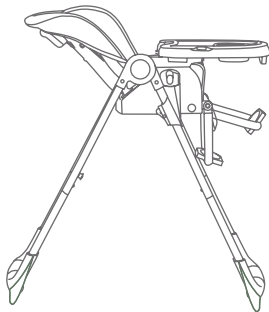
Chaise Haute Traditionnelle



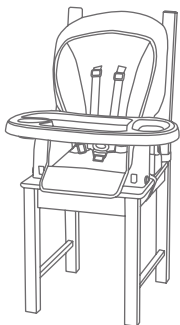
Siège D'appoint D'enfant



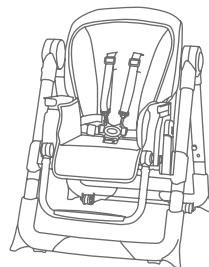
Repas De Bébé



Siège D'appoint De Bébé



Chaise D'enfant



• Produits **SNAP TECH™ SEULEMENT** approuvés peuvent être utilisés sur le cadre.

**⚠ AVERTISSEMENT** : Ne pas suivre ces avertissements et instructions pourrait entraîner de blessures graves ou la mort.

**⚠ AVERTISSEMENT** : Afin d'éviter des blessures graves causées par une glisse ou une chute toujours utiliser le harnais. **NE JAMAIS** laisser un enfant sans surveillance.

**⚠ AVERTISSEMENT** : L'enfant doit être de sécurité dans la chaise haute à tout moment par le système de retenue, que ce soit dans la position couché, inclinée ou verticale. Le plateau n'est pas conçu pour maintenir l'enfant dans la chaise. Il est recommandé que la chaise haute soit utilisée en position verticale seulement par un enfant déjà capable de s'asseoir correctement sans assistance. Voir page 51 pour les instructions sur l'utilisation correcte du système de sécurité.

- Produits **SNAP TECH™ SEULEMENT** approuvés peuvent être utilisés sur le cadre.
- Les accessoires attachés à la chaise peuvent affecter l'équilibre de la chaise haute et la rendre instable ou dangereuse, utiliser seulement les jouets approuvés par Baby Trend.
- Soyez certain que la chaise haute est complètement redressée et verrouillée en position ouverte avant d'autoriser un enfant à proximité.
- L'utilisation de la chaise haute avec un enfant pesant plus de 18,14 kg (40 livres) peut provoquer une usure et un stress excessif sur la chaise haute.
- **NE PERMETTEZ JAMAIS** à votre chaise haute d'être utilisé comme un jouet.
- **NE JAMAIS** utiliser ce produit si des attaches sont manquantes ou lâches, les joints sont desserrés, des pièces sont brisées ou une couture ou tissu est déchiré. Vérifier régulièrement votre poussette avant l'utilisation. Veuillez contacter notre service à la clientèle Baby Trend au 1-800-328-7363 pour les pièces de rechange, pour prendre des dispositions pour la réparation ou pour des questions sur le manuel instruction.
- **NE JAMAIS** substituer les pièces Baby Trend avec d'autres.

**IMPORTANT !** Pour vous assurer que votre produit fonctionne de façon sécuritaire, suivez ces instructions attentivement. Conservez ces instructions pour référence ultérieure.

**IMPORTANT !** Avant chaque assemblage et utilisation, inspecter ce produit pour du matériel endommagé, les joints lâches, des pièces manquantes ou des rebords coupants. NE JAMAIS utiliser si des pièces sont manquantes ou brisées.

**IMPORTANT !** L'assemblage par un adulte est requis.

**IMPORTANT !** Toujours vérifier que la chaise haute est verrouillée dans la position ouverte avant de l'utiliser.

## ATTENTION :

Retirez soigneusement les pièces de la boîte. Vérifiez que vous avez toutes les pièces pour ce modèle avant d'assembler la chaise haute. REMARQUE: Certains modèles de chaise haute sont livrés avec le coussin pour siège et l'ajusteur pour siège déjà joint au dossier.

## ASSEMBLAGE DU CADRE

- 1) • Tenir l'assemblage supérieur gauche ou droit de l'armature, appuyer sur le bouton et, en le maintenant enfoncé, écarter l'assemblage; relâcher ensuite le bouton rouge (Fig. 1a).
- Insérer le tube avant de l'assemblage supérieur gauche et droit de l'armature dans le crochet d'ajustement en hauteur (Fig. 1b). Le tube avant est facile à distinguer de celui de l'arrière, grâce aux trous situés au dos du tube avant.

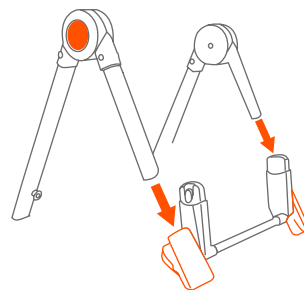
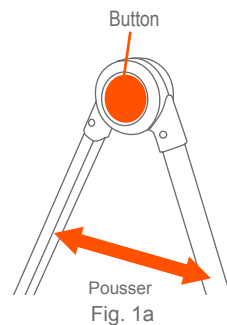


Fig. 1b

- 2) • Appuyer simultanément sur les poignées et pousser le tube dans le crochet d'ajustement en hauteur jusqu'à ce qu'il s'enclenche dans la position la plus élevée (Fig. 2).

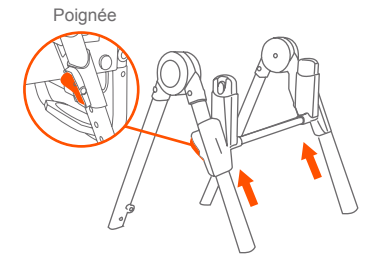


Fig. 2

- 3) • Connectez les pattes avant et arrières aux assemblages du cadre supérieur en insérant les extrémités des tubes dans les tubes de rallonge. Séparer les tubes A et B (Fig. 3a).

Face aux pattes avant, les tubes A se connectent à la jambe gauche et les tubes B se connectent à la jambe droite. Face aux pattes arrières, les tubes A se connectent à la jambe gauche et les tubes B se connectent à la jambe droite (Fig. 3b).

**REMARQUE :** les jambes sont correctement connectées lorsque les attaches sont alignées avec les trous sur les extrémités du cadre. Assurez-vous que les attaches sont verrouillées avant l'utilisation.

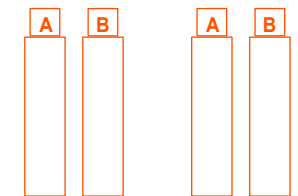


Fig. 3a

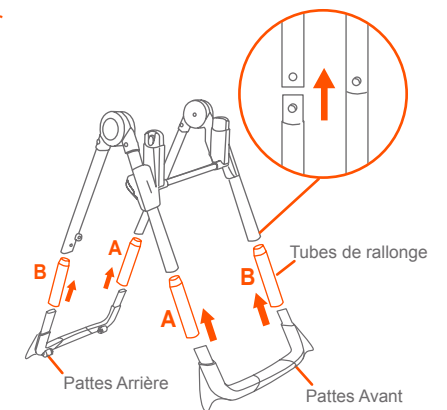


Fig. 3b



## POUR ASSEMBLER LE BOOSTER SIÈGE

• Produits **SNAP TECH™ SEULEMENT** approuvés peuvent être utilisés sur le cadre.

4) • Glisser le repose-pieds à l'avant du siège jusqu'à ce qu'un déclic indique qu'il est en bonne position (Fig. 4a).

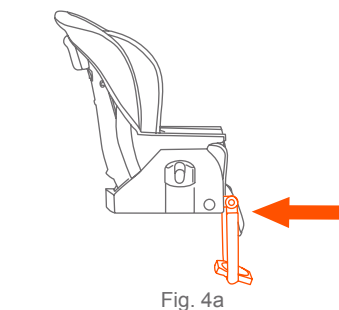


Fig. 4a

• Installer le siège et le verrouiller en place (Fig. 4b). Assurez-vous qu'il soit fermement verrouillé en place avant de l'utiliser (Fig. 4c).

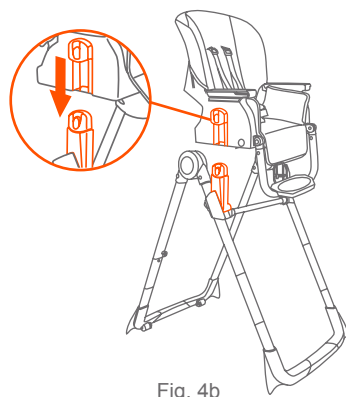


Fig. 4b

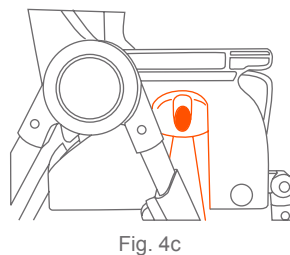


Fig. 4c

## POUR ATTACHER LE COUSSIN DU SIÈGE

**REMARQUE :** Certains modèles de chaise haute sont livrés avec le coussin pour siège et l'ajusteur pour siège déjà joint au dossier. Si votre modèle est l'un d'eux, veuillez sauter à l'étape 7.

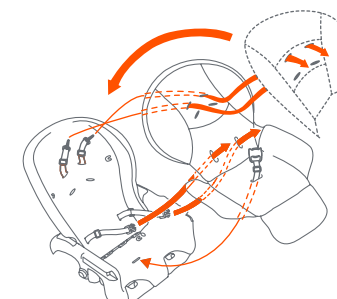


Fig. 5a

5) • Passer les embouts des sangles du harnais par fentes dans le tissu des sièges, le coussin, le dossier (Fig. 5a), et la base du siège (Fig. 5b). Lorsque les embouts sont bien enfilez par les fentes, tournez les 90 degrés. Assurez-vous que les sangles sont fermement attachées.

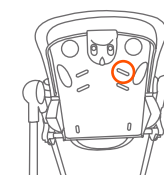


Fig. 5b

6) • Passer le rabat sur le dos du coussin par-dessus le haut du dossier du siège (Fig. 6a). Attacher le coussin à la partie supérieure du dossier avec les deux boucles élastiques. Ceux-ci s'accrochent par dessus les attaches situées au dessus des fentes supérieures pour le harnais (Fig. 6b).

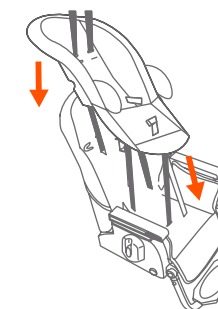


Fig. 6a

## POUR ENLEVER LE COUSSIN DU SIÈGE

Inverser les étapes ci-dessus.

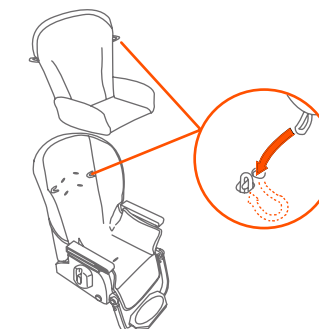


Fig. 6b

## ATTACHER ET UTILISER LA TABLETTE

**⚠ AVERTISSEMENT :**  
Toujours vérifier que la chaise haute est verrouillée dans la position ouverte avant de l'utiliser.

**⚠ AVERTISSEMENT :**  
Le plateau n'est pas conçu pour maintenir l'enfant dans la chaise. L'enfant doit toujours être attaché avec le harnais de sécurité quand il est dans la chaise haute.

- 7) • Pour fixer la tablette, aligner les rainures situées sur la partie inférieure de la tablette avec les accoudoirs de la chaise haute. Tirer sur la poignée située à l'avant et glisser la tablette sur les accoudoirs (Fig. 7a). La tablette peut être réglée dans trois positions. Pour régler la position, serrer la poignée avant située sous la tablette et ajuster la tablette à la position souhaitée. Relâcher la poignée. Vérifier que la tablette est solidement verrouillée dans sa nouvelle position avant de l'utiliser.

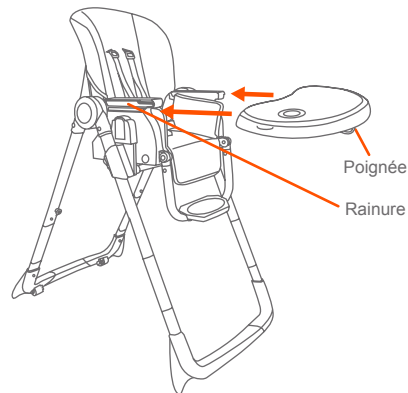


Fig. 7a

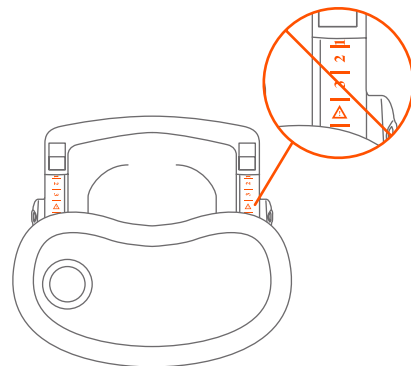


Fig. 7b

### ATTENTION :

Ne jamais laisser la tablette installée dans une position où les indications de danger sont visibles (Fig. 7b).

## ATTACHER LE PLATEAU POUR LA TABLETTE

- 8) • Le plateau pour aliments (va au lave-vaisselle) s'insère dans la tablette de la chaise haute et est maintenu en place par des crochets du sur le côté du plateau. Lors de l'installation du plateau pour aliments, assurez-vous qu'il soit solidement fixé afin d'éviter que l'enfant ne retire le plateau lui-même. Pour retirer le plateau détacher les onglets de la tablette (Fig. 8a).

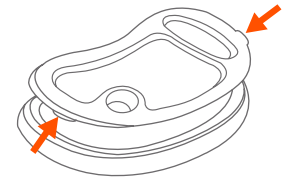


Fig. 8a

- La tablette peut être rangée en la fixant sur les jambes arrière de la chaise haute. Aligner les trous situés à l'arrière de la tablette avec les petites chevilles sur les jambes arrière (Fig. 8 b).

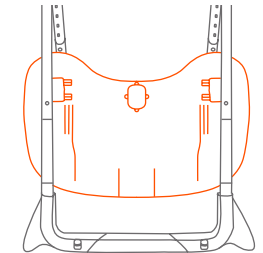


Fig. 8b

## POUR UTILISER LE HARNAIS DE SÉCURITÉ

**⚠ AVERTISSEMENT :**  
Il est recommandé que la chaise haute ne soit utilisée en position verticale que par un enfant déjà capable de s'asseoir debout correctement sans assistance.

**⚠ AVERTISSEMENT :**  
Afin d'éviter la mort ou des blessures graves causée par une glisse ou une chute. Toujours utiliser le harnais de sécurité, que ce soit dans la position couché, inclinée ou verticale.

Le plateau n'est pas conçu pour retenir l'enfant dans la chaise. Toujours garder l'enfant en vue lorsqu'il est dans la chaise haute.

**NE JAMAIS** laisser un enfant sans surveillance.

9) • Les sangles d'épaule du harnais à cinq points ont deux positions d'attache. Sélectionner la position plaçant le niveau des sangles d'épaule à la hauteur des épaules de l'enfant ou sous la partie supérieure de celles-ci (Fig. 9a).

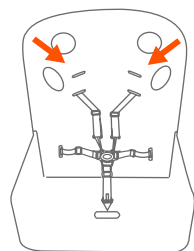
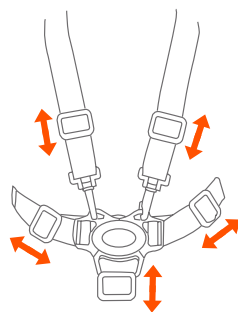


Fig. 9a

• Asseoir délicatement l'enfant dans le siège et placer le harnais de sécurité autour de la taille de l'enfant et par-dessus ses épaules. Placer la sangle d'entrejambe entre les jambes de l'enfant. Insérer l'extrémité mâle de chaque sangle d'épaule/de la taille dans la boucle de la sangle d'entrejambe. Resserrer le harnais de façon à ce qu'il soit bien ajusté autour de la taille de l'enfant et au-dessus de ses épaules. Veuillez vous référer à la (Fig. 9b).



Ajuster pour être bien serré

Fig. 9b

## POUR LIBÉRER L'ENFANT

10) • Pour libérer le harnais, appuyer sur le bouton situé au centre de la boucle d'attache, et les deux sangles du harnais se détacheront (Fig. 10).

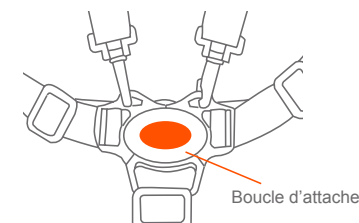


Fig. 10

## INCLINER LE SIÈGE

11) • Appuyer sur le levier au dos du siège et ajuster l'inclinaison ou mettre dans la position debout (Fig. 11). Lors de l'ajustement de l'inclinaison du siège, prendre garde de ne pas coincer les bras, les mains ou les doigts de l'enfant.

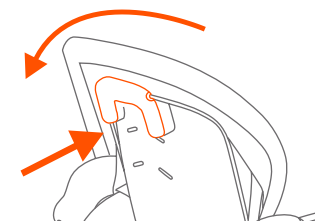


Fig. 11

## AJUSTER LA HAUTEUR DU SIÈGE

**⚠ AVERTISSEMENT :**  
Ne pas régler la hauteur du siège avec un enfant assis dans le siège. Ajuster la hauteur du siège avant de placer votre enfant dans la chaise haute.

**⚠ AVERTISSEMENT :**  
Toujours vérifier que le réglage de la hauteur du support est pareil du côté droit et du côté gauche et que les deux côtés sont verrouillés avant de placer l'enfant dans la chaise haute.

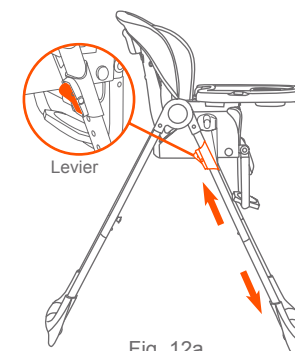


Fig. 12a

**⚠ AVERTISSEMENT :**  
Jamais laissez reposer le crochet d'ajustement en hauteur sur la goupille d'arrêt.

12) • Appuyer simultanément sur les poignées de réglage de la hauteur du côté gauche et droit (Fig. 12a) et ajuster à la position idéale (Fig. 12b).

**NE PAS** ajuster le siège lorsqu'un enfant y est assis.

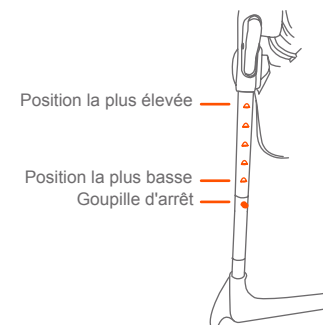


Fig. 12b

## ATTENTION:

Assurez-vous que l'ajustement en hauteur verrouille dans la position la plus basse. Il ne faut pas laisser reposer le crochet d'ajustement en hauteur sur la goupille d'arrêt (Fig. 12c).

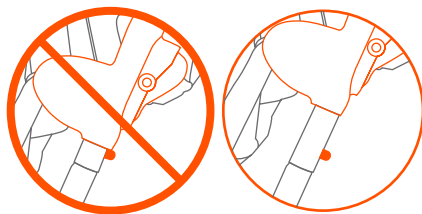


Fig. 12c

## RÉGLAGE DU REPOSE-PIEDS

- 13) • Appuyer sur les boutons se trouvant des deux côtés du repose-pieds afin de pouvoir ajuster celui-ci vers le haut ou vers le bas (Fig. 13).

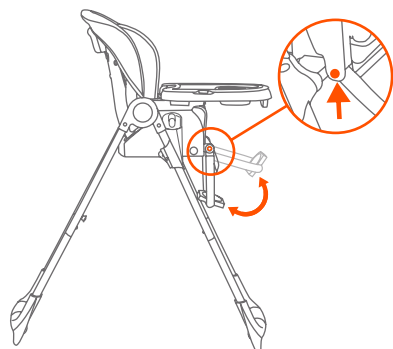


Fig. 13

## FREIN

- 14) • Pour engager les freins, appliquer une pression à la baisse sur les languettes de frein situées. Vérifier que la chaise haute ne se déplacera pas et que les freins sont correctement appliqués. Pour libérer, soulevez les languettes de frein (Fig. 14).

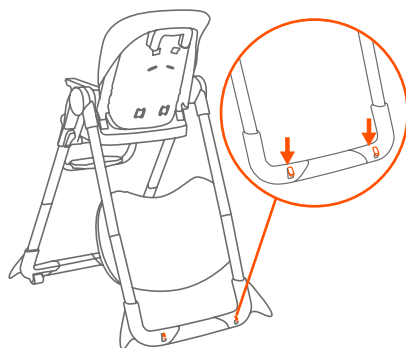


Fig. 14

## PLIER LA CHAISE HAUTE

La chaise haute peut être repliée avec le siège dans n'importe laquelle des positions.

- 15) • Régler le siège à la position désirée. Placer le dossier du siège dans la position la plus verticale (Fig. 15).

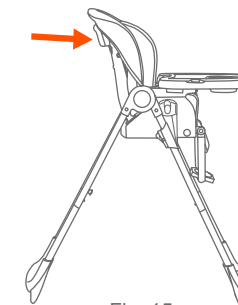


Fig. 15

- 16) • Pincer la poignée de la tablette et la faire glisser (Fig. 16).

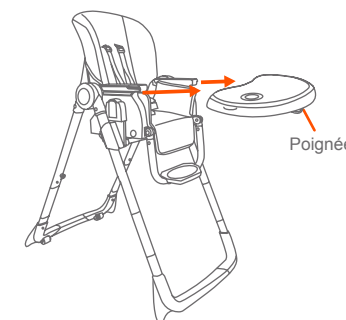


Fig. 16

- 17) • Accrocher la tablette sur les crochets situés à l'arrière des jambes (Fig. 17).

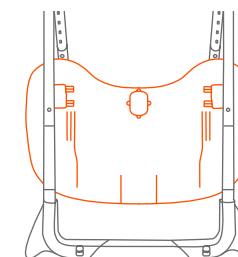


Fig. 17

- 18) • Abaissez le siège à sa position la plus basse. Appuyer sur les boutons situés sur les côtés du cadre et pousser les jambes arrière vers les jambes avant jusqu'à ce que la chaise soit pliée (Fig. 18). La chaise haute peut maintenant être rangée.

**Cette chaise n'est pas un jouet. NE PAS permettre à votre enfant de jouer près d'une chaise haute pliée.**

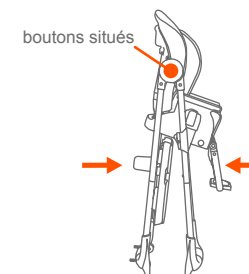


Fig. 18

## POUR DÉPLIER LA CHAISE HAUTE

Inverser les étapes ci-dessus.

## BOOSTER DE METTRE LE SILLA

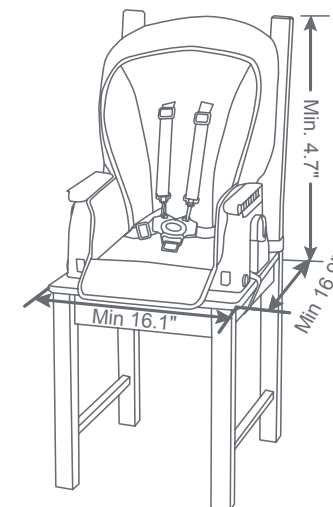
- ⚠ **MISE EN GARDE :** Des enfants ont subi des blessures à la tête, y compris des fractures du crâne, après être tombés d'un siège rehausseur.
- Vérifiez que le siège rehausseur est **solidement fixé** à la chaise d'adulte avant chaque utilisation.
  - **Utilisez TOUJOURS les dispositifs de retenue** jusqu'à ce que l'enfant soit en mesure de monter sur le siège rehausseur et d'en redescendre sans aide (vers environ deux ans et demi). Réglez les dispositifs de retenue de façon à **assurer un ajustement confortable**.
  - **Ne transportez JAMAIS** un enfant lorsqu'il se trouve dans un siège rehausseur.
  - **Ne transportez JAMAIS** un enfant lorsqu'il se trouve dans un siège rehausseur.
  - **DEMEUREZ À PROXIMITÉ** de l'enfant et surveillez-le lorsqu'il est dans le siège rehausseur.
  - **Assurez-vous TOUJOURS** que le siège rehausseur est fixé de façon sécuritaire à la chaise d'adulte avant chaque utilisation du produit.
  - **Ne JAMAIS** utiliser ce siège d'appoint sur un tabouret ou un banc qui n'a pas de dossier.

⚠ **AVERTISSEMENT :** Eviter des blessures graves et de la mort. Ne pas utiliser dans un véhicule à moteur.

⚠ **AVERTISSEMENT :** Le plateau n'est pas conçu pour retenir l'enfant dans le siège.

⚠ **AVERTISSEMENT :** Il est recommandé que le siège être utilisé en position verticale seulement par les enfants capables de s'asseoir dressé par eux-mêmes.

- ⚠ **AVERTISSEMENT :** Fixez toujours le siège d'appoint sur une chaise avec les sangles supérieures et inférieures. N'utilisez jamais ce siège d'appoint sur un tabouret ou un banc sans dossier. Taille minimale chaise d'adulte : Largeur : 16,1 pouces Profondeur : 16,9 pouces Hauteur du dossier : 4,7 pouces.



- **NE JAMAIS** lever ce produit avec l'enfant dedans.
- **N'UTILISER JAMAIS** le produit s'il est endommagé ou brisé.

## BOOSTER DE METTRE LE SILLA

**⚠ AVERTISSEMENT :**  
Toujours fixer le siège d'appoint sur une chaise à l'aide des sangles situées en dessous et à l'arrière du siège. Ne jamais utiliser ce siège d'appoint sur un tabouret ou un banc qui n'a pas de dossier.

19) • Détacher le siège de l'assemblage en appuyant sur les boutons situés de chaque côté du siège, et tirer le siège vers le haut (Fig. 19).  
**NE PAS** retirer le siège lorsqu'un enfant y est assis.

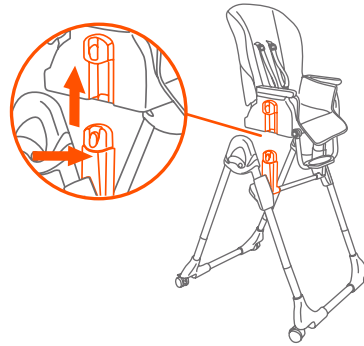


Fig. 19

20) • Retirer le repose-pieds en appuyant sur les boutons situés sur chaque côté du siège, et tirer sur le repose-pieds afin qu'il se détache du siège (Fig. 20).

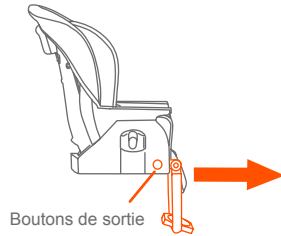


Fig. 20

21) • Retourner le siège d'appoint. Glisser ouverts les compartiments des sangles trouvés au-dessous le siège d'appoint (Fig. 21a).

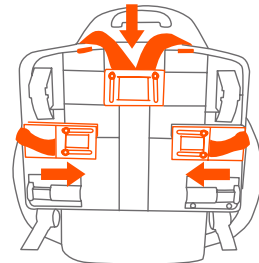


Fig. 21a

• Sortir les sangles de leurs compartiments. Puis, placer le siège d'appoint sur une chaise munie d'un dossier, sans accoudoir. S'assurer qu'il n'y a pas de rembourrage ou de coussin sur la chaise (Fig. 21b).

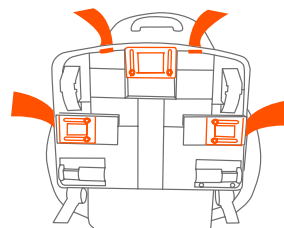


Fig. 21b

• Faire passer les sangles du derrière vers l'arrière de la chaise. Attacher les sangles et s'assurer d'entendre un \*CLIC\* lorsque celles-ci se sont correctement enclenchées (Fig. 21c).

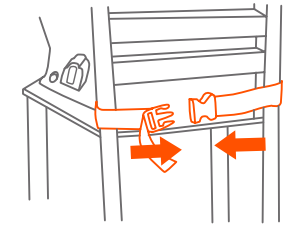


Fig. 21c

• Serrer l'extrémité libre de la sangle pour fixer fermement le siège d'appoint à la chaise (Fig. 21d).



Fig. 21d

• Faire passer les sangles du dessous sous la chaise. Attacher les sangles et s'assurer d'entendre un \*CLIC\* lorsque celles-ci se sont correctement enclenchées (Fig. 21e).

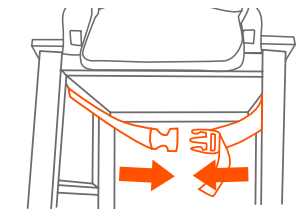


Fig. 21e

• Serrer l'extrémité libre de la sangle pour fixer fermement le siège d'appoint à la chaise (Fig. 21d).

• Vérifier que le siège d'appoint soit installé fermement en tirant le siège d'appoint d'un côté à l'autre, essayant de le faire bouger et en haut. Le siège d'appoint ne devrait pas bouger plus d'un pouce.

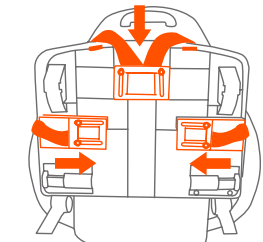


Fig. 22a

## POUR ENLEVER LE SIÈGE D'APPOINT

22) • Retourner le siège d'appoint. Glisser ouverts les compartiments des sangles trouvés au-dessous le siège d'appoint (Fig. 22a).

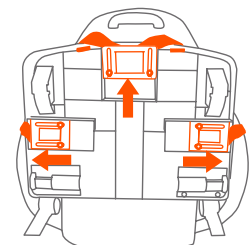


Fig. 22b

• Plier les sangles et les ranger dans les compartiments, puis glisser les portes des compartiments pour les fermer (Fig. 22b).

## SIÈGE D'AUTO POUR BÉBÉ

**AVERTISSEMENT :**  
Afin d'éviter des blessures graves causées par une glisse ou une chute toujours utiliser le harnais de sécurité.

• Produits **SNAP TECH™ SEULEMENT** approuvés peuvent être utilisés sur le cadre.

## AJUSTER LA HAUTEUR LE CADRE

**AVERTISSEMENT :**  
Ne pas régler la hauteur du siège d'auto pour bébé avec un enfant assis dans le siège. Ajuster la hauteur du siège avant de placer votre enfant dans le siège d'auto.

**AVERTISSEMENT :**  
Toujours vérifier que le réglage de la hauteur du support est pareil du côté droit et du côté gauche et que les deux côtés sont verrouillés avant de placer l'enfant dans le siège d'auto pour bébé.

**AVERTISSEMENT :**  
Ne jamais utiliser le mode de siège de voiture postes les plus élevés. Toujours utiliser le siège d'auto position la plus basse.

**AVERTISSEMENT :**  
Jamais laissez reposer le crochet d'ajustement en hauteur sur la goupille d'arrêt.

23) • Appuyer sur les poignées de réglage de la hauteur du côté gauche et droit et ajuster à la position le plus bas (Fig. 23a).

**NE PAS** ajuster le siège lorsqu'un enfant y est assis.

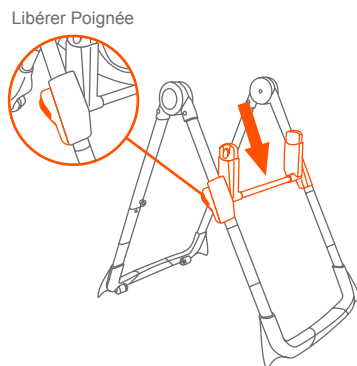


Fig. 23a

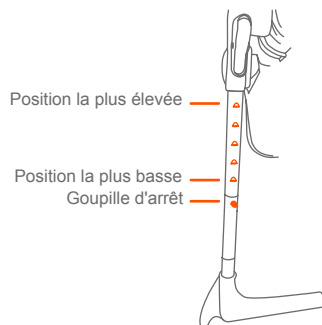


Fig. 23b

## ATTENTION :

Le support de réglage de hauteur doivent être réglé à la position le plus bas avant de placer le siège d'auto (Fig. 23b).

## POUR ASSEMBLER LE SIÈGE D'AUTO

24) • Installer le siège d'auto pour bébé et le verrouiller en place (Fig. 24a). Assurez-vous qu'il soit fermement verrouillé en place avant de l'utiliser (Fig. 24b).

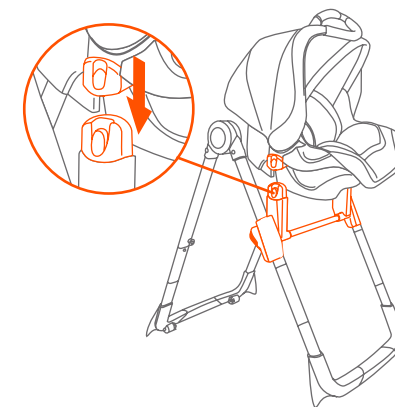


Fig. 24a

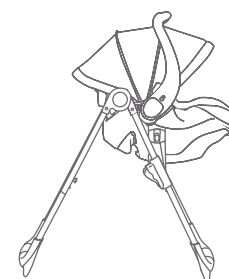
## POUR RETIRER CAR SEAT

25) • Détacher le siège d'auto pour bébé de l'assemblage en appuyant sur les boutons situés de chaque côté du siège, et tirer le siège vers le haut (Fig. 25).



Fig. 24b

Siège D'Auto Pour Bébé Mode



Le siège peut être orienté vers l'avant ou vers l'arrière.

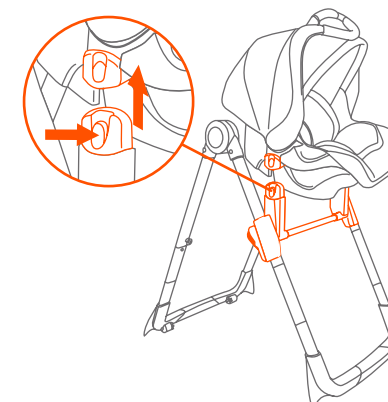


Fig. 25

Siège de bébé est vendu séparément

## SIÈGE POUR TOUT-PETIT

### ATTENTION :

L'utilisation du siège pour tout-petit est recommandée pour les enfants âgés de deux à quatre ans.

Aidez toujours votre enfant à monter et descendre du siège.

Retirez toujours le plateau (étape 16) et verrouillez toujours les roues (étape 14) avant d'utiliser le siège pour tout-petit.

24) • Saca completamente el arnés y el broche del producto por enhebrar las puntas del tirante a través de la espalda de la silla (Fig. 24a).

- Retirez les tubes de rallonge des pattes avant et arrière en poussant les goupilles de verrouillage à l'intérieur et en tirant sur les tubes (Fig. 24b).

- Reconnectez les pattes avant et arrière en insérant les extrémités des tubes dans les assemblages du cadre supérieur (Fig. 24c).

**Remarque :** Les pattes sont connectées correctement lorsque les goupilles de verrouillage sont alignées avec les trous sur les extrémités des assemblages du cadre supérieur. Veillez à ce que les goupilles de verrouillage soient bien en place avant l'utilisation.

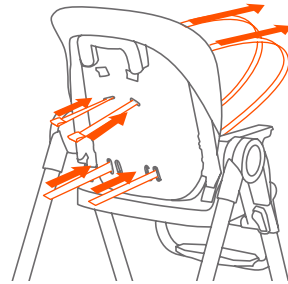


Fig. 26a

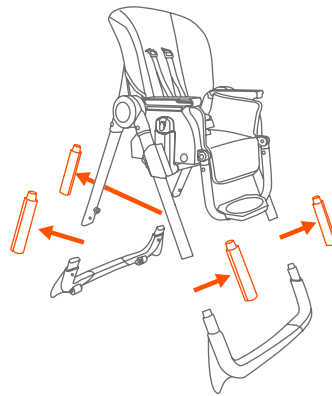


Fig. 26b

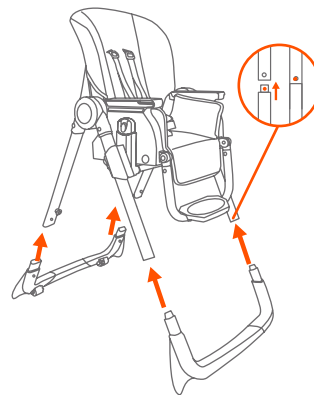


Fig. 26c

## SOINS D'ENTRETIEN

**⚠ AVERTISSEMENT :** Les sangles du harnais et le panier de rangement ne sont PAS lavables.

**Le plateau pour la tablette:** Le plateau peut aller au lave-vaisselle à 160° F (71° C). N'utilisez pas d'éponges abrasives sur le plateau car ils endommageront la surface et le plateau deviendra difficile à nettoyer.

**Chaise haute / Tablette:** Nettoyez la chaise haute après chaque utilisation en utilisant un savon à vaisselle doux. Veuillez utiliser seulement une brosse au poil doux, une éponge ou un chiffon pour nettoyer la surface des miettes de nourriture. **NE PAS** submerger la chaise ou la tablette dans l'eau: les nettoyer en surface seulement.

**Coussin de siège** (s'il vous plaît se référer à l'étiquette sur le coussin du siège pour le nettoyage des instructions)  
 Pour enlever le coussin: Retirez les sangles en les passant par les trous dans le coussin, le dossier, et la base du siège d'où elles viennent. Détachez les boucles élastiques des attaches qui retiennent le siège au dossier et à la base du siège.  
 Pour attacher le coussin du siège: Veuillez vous assurer de suivre attentivement les instructions indiquées au point 6 afin de réinstaller correctement le harnais de sécurité.

**Pas lavables Coussin de siège: Laver avec un savon doux et essuyer à l'aide d'un chiffon humide. NE PAS LAVER le coussin du siège À LA MACHINE À LAVER. NE PAS METTRE L'AJUSTEUR POUR SIÈGE DANS LA MACHINE À LAVER.**

**Pour attacher ou détacher le panier de rangement**  
**REMARQUE :** certain modèles ont un panier de rangement sous le siège. Sur ces modèles le panier est déjà attaché à la base du siège.  
 Pour détacher le panier de rangement: Le panier est attaché avec quatre crochets. Détacher les crochets pour pouvoir retirer le panier.  
 Pour attacher le panier de rangement: Passer les crochets à travers les fentes dans la base du siège. Appuyer fermement sur les crochets pour le verrouiller.