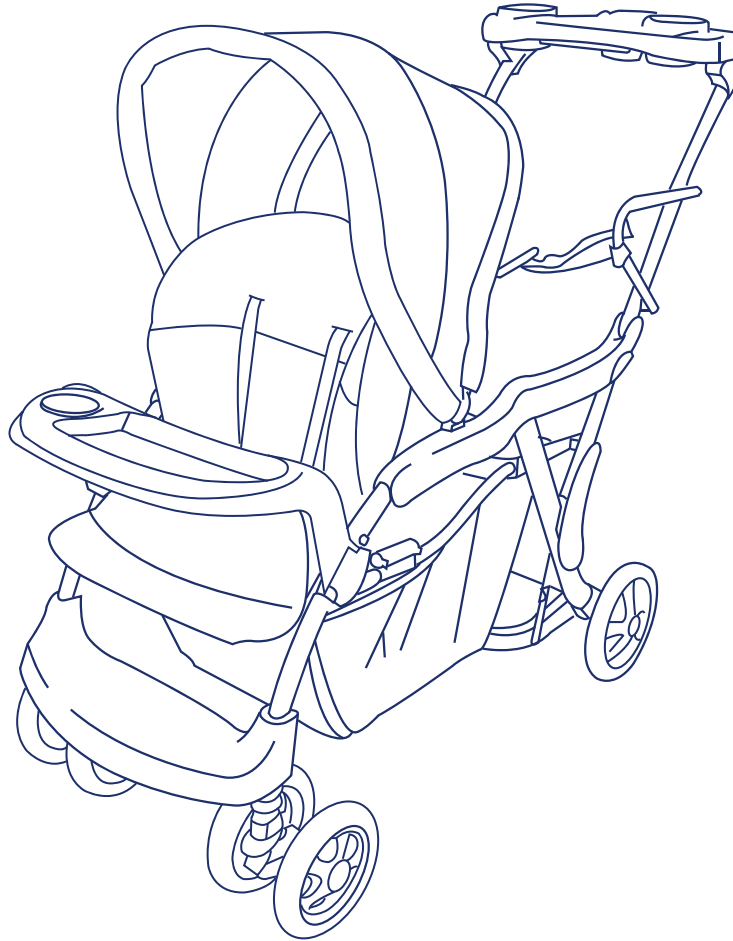


Read all instructions **BEFORE** assembly and **USE** of product.  
**KEEP INSTRUCTIONS FOR FUTURE USE.**

**baby trend**<sup>®</sup>



**Model #7311**

***Sit N Stand LX Tandem Stroller***  
*with Car Seat Snap N Go Attachment System*

***Instruction Manual***

## WARNINGS

**! WARNING:** Please follow all of these instructions to ensure the safety of your child. Keep these instructions for future reference.

**! WARNING:** Failure to follow these instructions could result in serious injury or death. Avoid serious injury from falling or sliding out. Always use the safety belts and insure that the children are properly positioned according to these instructions.

**! WARNING:** Never leave children unattended.

- \* The maximum weight that can be carried in the Parent Tray is 3 lbs. Excessive weight may cause a hazardous unstable condition to exist.
- \* Purses, shopping bags, parcels, diaper bags or accessory items may change the balance of the stroller and cause hazardous unstable conditions.
- \* The maximum weight that can be carried in the basket is 5 lbs. Excessive weight may cause a hazardous unstable condition to exist.
- \* Be certain the stroller is fully erect and latched in the open position before allowing the children near the stroller.
- \* The rear stand on platform is designed for a child who is at least 2 1/2 years old and is not over 40 inches tall. Use of the stroller with two (2) children weighing more than 40 pounds each, or children totaling more than 80 pounds, will cause excessive wear and stress on the stroller and may cause a hazardous unstable condition to exist.
- \* **DO NOT** use the stroller on stairways or escalators.
- \* Never allow your stroller to be used as a toy
- \* To clean use only mild household soap or detergent and warm water on a sponge or clean cloth.
- \* Check your stroller for loose screws, worn parts, torn material or stitching on a regular basis. Replace or repair parts as needed
- \* Discontinue use of stroller should it malfunction or become damaged. Please contact our customer service Parts Hotline to arrange for repair or obtain replacement parts.

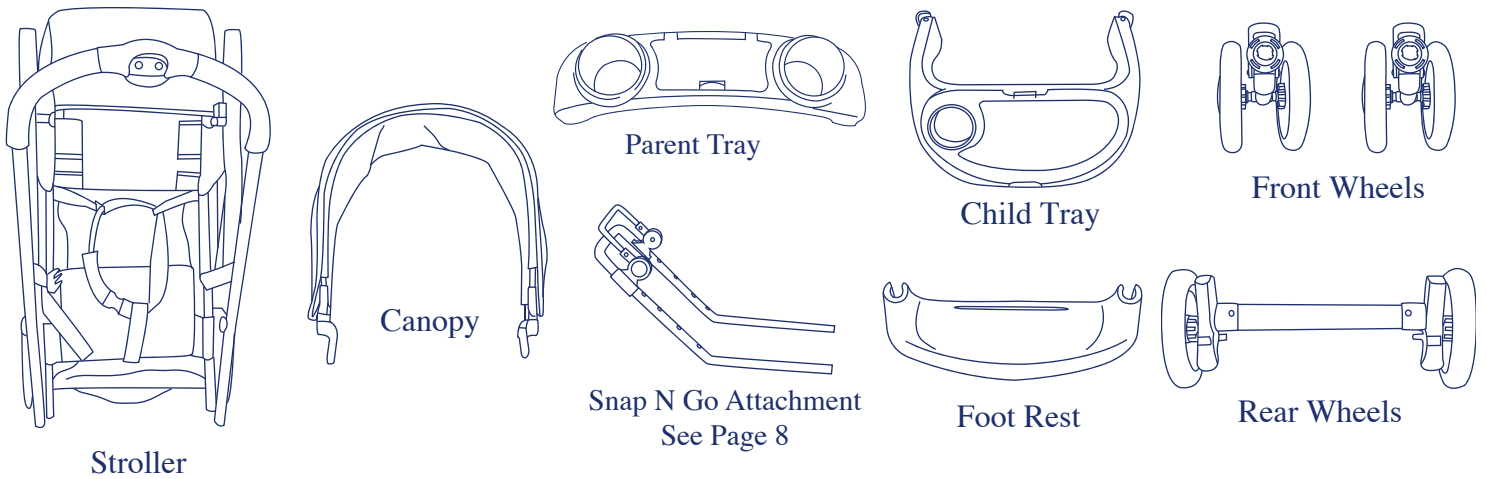
*Please: If you experience any difficulty with the use of our product or have a question regarding these instructions, please contact our Customer Service Department at (800) 328-7363 between the hours of 8:00 am and 4:30 pm Pacific Coast Time. Please do not return to the store as once it is returned it cannot be resold and the materials and energy used to make it are wasted.*

### To contact us:

Baby Trend, Inc.  
1567 S. Campus Ave.  
Ontario, CA 91761

Parts Hotline:  
(800) 328-7363  
8:00 am and 4:30 pm Pacific Coast Time

## PARTS

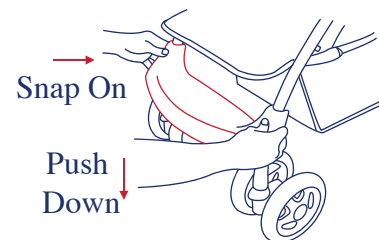
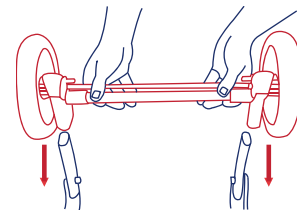
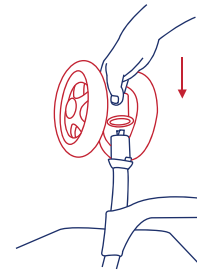
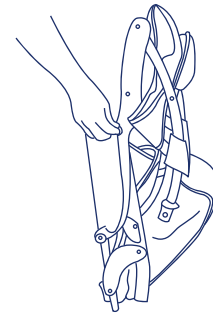


## ASSEMBLING

**TO ENSURE SAFE OPERATION OF YOUR STROLLER, PLEASE FOLLOW THESE INSTRUCTIONS CAREFULLY. RETAIN THESE INSTRUCTIONS FOR FUTURE REFERENCE**

### ASSEMBLY

1. Remove stroller from box. The front wheels, rear wheels, child tray, and canopy need to be installed prior to use.
2. To attach the front wheels, unfold stroller as described in the section following. See figure 1. Lean the stroller backwards so that it rests on the handle and rear frame tubes and the front wheel tubes are pointing upward. Position the front wheel assembly at the front tube such that the large hole in the swivel assembly will slide onto the front tube. Push each front wheel assembly onto the front tube being careful that wheel assembly locks onto the front leg. Pull on the wheel assembly to ensure that it is securely attached to the stroller. Please see figure 2.
3. Lean the stroller forward to rest on the front wheels. To attach the rear wheels, position the rear axle and wheel assembly such that the brake levers are facing to the rear of the stroller. Press the rear wheel assembly onto the rear frame tubes being careful that the push buttons on the forward side of each rear tube engage the hole on the forward side of each rear wheel housing. Pull on the rear wheel assembly to ensure that it is securely attached to the stroller. Please see figure 3.
4. Ensure that the wheels are firmly locked into place. Do Not use the stroller if the wheels are not locked into place, but rather contact our customer service department immediately at (800) 328-7363, between the hours of 8:00am and 4:30pm PCT, for assistance.
5. Snap footrest onto front legs of stroller just below the seat. Push downward on the footrest until it locks onto the rivets protruding from both sides of each leg and snaps onto the U-shaped frame cross member. Please see figure 4.



- To attach the front child tray, push the tray onto the front frame tube, lining up the tray between the protruding rivet and the seat. Push backward on the latch until snapped into place. The protruding rivet on the outside of the frame tube should be above the tray latch. Check that the tray is securely latched in place. Please see figure 5 and 6.
- To remove front child tray, pull outward on the latches and pull outward on the tray. Please see figure 7. Please note that you may attach or remove one end at a time.

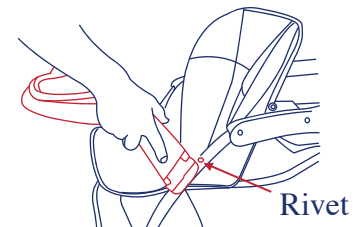


Fig. 5.

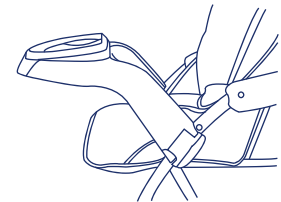


Fig. 6.

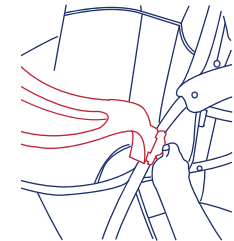


Fig. 7.

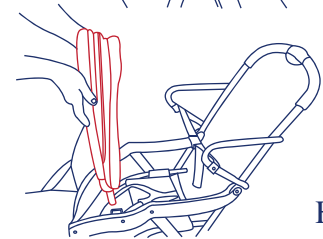


Fig. 8.

**⚠️ WARNING: The child's tray is not a restraint device: always secure your child with the seat belt. DO NOT lift the stroller by the child's tray. Use care when attaching the child's tray on the stroller with a child in the stroller.**

- To attach the front canopy, line up the male fittings on the canopy with the female fittings on the armrest and push both fittings downward until snapped into place. Please see figure 8. Push forward on the front edge of the canopy to open.

Your stroller is now ready to use

**⚠️ WARNING: Avoid serious injury from falling or sliding out. Always use the seat belt.**

### TO SECURE CHILD

- The shoulder straps of the 5-point harness has 2 attachment positions. Select the loop position that places the shoulder strap level with, or below the top of the child's shoulder and feed the shoulder harness under the correct loop. Please see figure 8a.
- Carefully place the child in the stroller seat and bring the safety harness around the child's waist and over the shoulders. Place the crotch strap and between the child's legs. Insert the male end of each shoulder / waist belt into the buckle on the crotch strap. Tighten the harness to be snug around the child's waist and over the child's shoulders. Please see figure 9.
- To release, apply pressure to both sides of each male clip until the clip is released. This process requires a moderate amount of effort so as to prevent an accidental release by your child. NOTE: Buckles may be hard to release when 1st used.

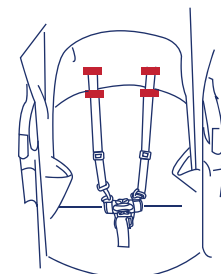


Fig. 8a.

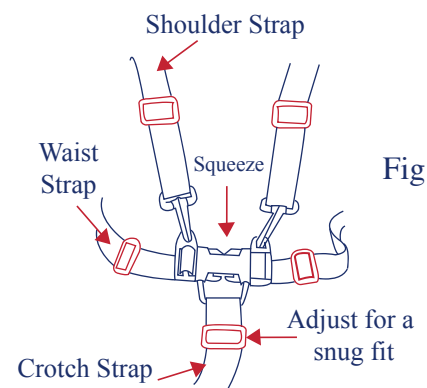


Fig. 9.

### TO SECURE REAR STANDING CHILD

- The rear platform and jump seat are designed to accommodate a child who is at least 2 1/2 years old, has good balance and coordination, and is not over 40 inches tall. Push the jump seat bench to its most forward position. Position the child on the platform on the back of the stroller. Be sure child is facing forward and hands are holding frame. Secure the safety belt behind child and engage buckle. See figure 10.
- Be sure that the child's feet are fully on the platform at all times.

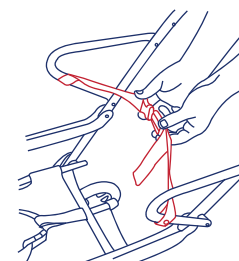


Fig. 10.

## TO USE JUMP SEAT

1. Have child sit on the jump seat facing backwards. Secure the seat belt, which is attached to the back of the stroller, around the child's waist, and buckle to the crotch strap. See figure 11.
2. Adjust the seat belt to be snug around the child's waist.
3. To release, apply pressure to both sides of the male clip until the clip is released. This process requires a moderate amount of effort so as to prevent an accidental release by your child.
4. Be sure that the child's feet are fully on the platform at all times.

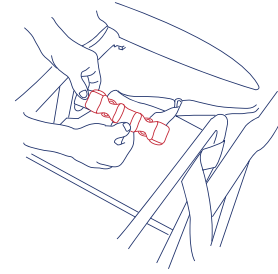


Fig. 11.

## TO ADAPT THE STROLLER TO CARRY INFANT CAR SEATS

1. Please see Car Seat Chart following to determine the proper configuration of the Snap N Go for your Infant Car Seat. See the page following that corresponds with your brand of infant car seat for use with your car seat.

## SEATBACK POSITIONING

1. The front seat has a two position recline. To recline the seat, rotate the recline bar and press backward on the seat back. Please see figure 12. To place the seat in the upright position, press upward on the seat back while rotating the recline bar.
2. The upright position should be used only for a child that is at least 6 months old. Note: Seat does not fully recline.

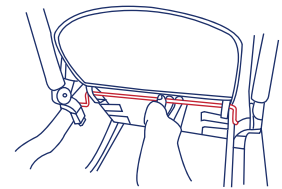


Fig. 12.

## BRAKES

**⚠ WARNING:** Always set brakes when the stroller is not being pushed so that the stroller will not roll away. Never leave stroller unattended on a hill or incline as the stroller may slide down the hill.

1. To engage brakes, apply light downward pressure to the brake lever located on each rear wheel. The stroller may require slight forward or rearward movement in order to line up the teeth on the brake with each wheel brake cluster. See figure 13. Check that the stroller will not move and that the brakes are properly applied. To release, gently lift up on the brake lever. See figure 14.

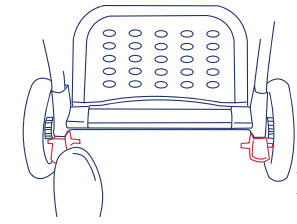


Fig. 13.

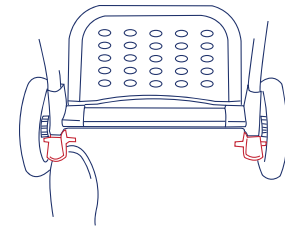


Fig. 14.

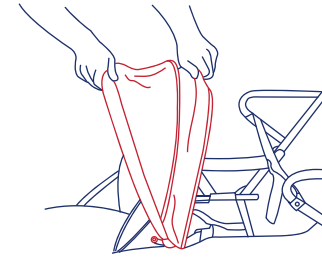


Fig. 15.

1. To open the canopy, push forward on the front frame of the canopies. To close canopy, pull the front edge toward the rear of the stroller until folded. Always fold the canopy prior to folding the stroller frame. Please see figure 15.
2. The canopy will ratchet forward or back to block the sun. Pull forward on the front canopy frame tube to move forward. Pull backward on the rear frame tube to move back.
3. To remove the canopy, press the lock button on the end of the male fitting while pulling upward on the canopy. Please see figure 16.

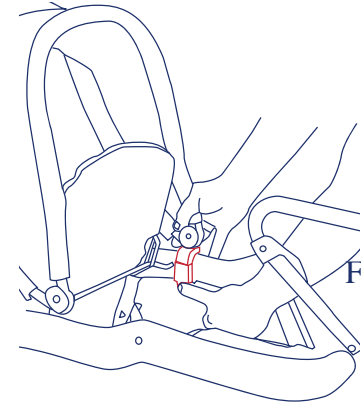


Fig. 16.

## TO REMOVE FRONT CHILD TRAY

1. To remove front child tray, pull forward on the locking lever on the tray arms to unlock. Please see figure 6. Please note that you may attach or remove one end at a time. Also, the tray may be released on either side and will swing away for easy access to your child. Please see figure 7.

## TO FOLD STROLLER

**Do Not allow children near stroller while folding.**

1. Close the canopy as described in the Canopy section above. The canopy may be folded forward to fold the stroller or, if you need to reduce the size of the folded stroller, may be folded back toward the rear of the stroller.
2. Unbuckle rear standing safety belt. Please see figure 10.
3. To fold the stroller slide the red fold latch safety button in the center of the handle and squeeze the red handle while pushing forward on the handle. Once the stroller begins to fold, release the red handle and pull upward on the child tray until the stroller is folded. Please see figure 17.
4. Secure the stroller in the folded position by latching the fold latch, located on the right side of the stroller handle, over the extended rivet on the armrest. You may have to rotate the front wheels to fold the stroller completely. Please see figure 18.

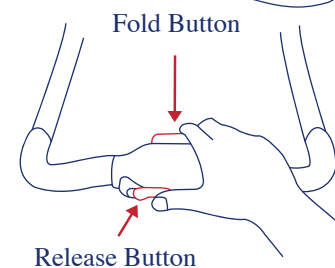


Fig. 17.

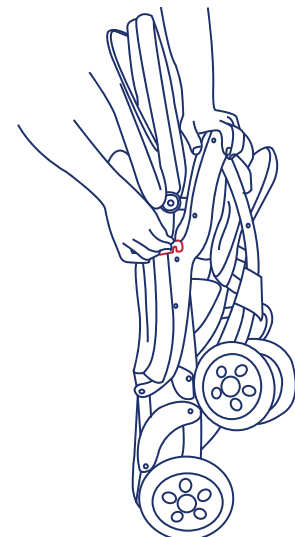


Fig. 18.

## TO UNFOLD STROLLER

**Do Not allow children near stroller while unfolding.**

1. Release the folding latch, which is located on the right side. See figure 18.
2. Lift up on the stroller handle with both hands until the stroller frame is erect and locked in the open position. The stroller has spring-loaded latches on both sides of the frame. Test that both latches are fully engaged prior to placing your child in the stroller.



**IF YOU EXPERIENCE ANY DIFFICULTY IN USING THIS PRODUCT, PLEASE CONTACT OUR CUSTOMER SERVICE DEPARTMENT AT (800) 328-7363 BETWEEN THE HOURS OF 8:00AM AND 4:30PM PACIFIC COAST TIME FOR ASSISTANCE.**



Read all instructions **BEFORE** assembly and **USE** of product.  
**KEEP INSTRUCTIONS FOR FUTURE USE.**

**baby trend**<sup>®</sup>



**Model #7311**

***Sit N Stand LX Tandem Stroller***  
*with Car Seat Snap N Go Attachment System*

***Instruction Manual***

01.06



# Car Seat Chart

## Snap N Go Attachment

The Snap N Go attachment system is easily configured to carry most infant car seats in the market. New infant car seats are introduced by various manufacturers from time to time and may not be listed below. If you have an infant car seat not listed below, please call our customer service department at (800) 328-7363 between the hours of 8:30 and 4:00 Monday through Friday for additional information and instructions.

The Snap N Go attachment system adapts to individual infant car seats by virtue of two adjustments: snap bar rotation angle and snap bar position. Please see figure 1. The chart below indicates the required settings for each of the infant car seats. Please keep in mind that many infant car seat manufacturers add names to the different versions of their infant car seats to designate a fabric choice, a license, or a travel system name. For instance, the Baby Trend Latch-Loc infant car seat is sold as part of the Symmetry Travel System. The infant car seat is still referred to as the Latch-Loc for purposes of these instructions. Please refer to your infant car seat instruction manual, or the manufacturer directly, to determine which infant car seat you own.

INFANT CAR SEAT	SNAP BAR ANGLE	SNAP BAR POSITION
<b>Cosco Designer 22, Designer 35</b>	<b>5</b>	<b>I</b>
<b>Cosco Ariva</b>	<b>1</b>	<b>I</b>
<b>Peg Perego</b>	<b>5</b>	<b>I</b>
<b>Evenflo Cozy Carry/ Portabout</b>	<b>5</b>	<b>I</b>
<b>Evenflo On My Way</b>	<b>1</b>	<b>V</b>
<b>Evenflo Embrace</b>	<b>4</b>	<b>I</b>
<b>Century Vante</b>	<b>1</b>	<b>IV</b>
<b>Graco Snug Ride</b>	<b>1</b>	<b>III</b>
<b>Baby Trend</b>	<b>USE BT BAR</b>	<b>IV</b>

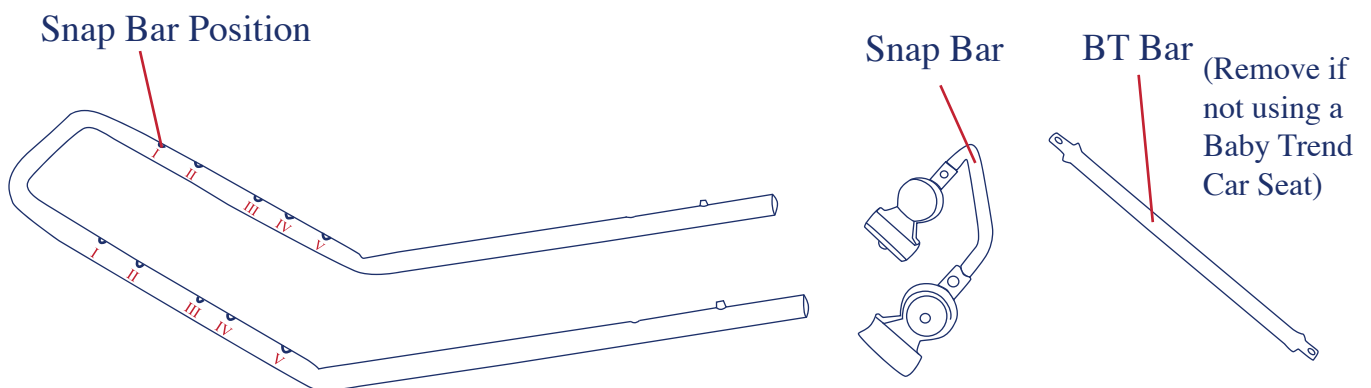


Figure 1.

### Step 1:

Remove the child tray. Insert the Snap N Go bar into the two plastic fittings located on the lower frame tube of the stroller. Please see figure 1. The bar will lock into place with the metal snap button popping into the hole in the plastic fitting. Check that the snap button is fully engaging the hole in the plastic fitting and that the Snap N Go bar is securely attached to both sides of the stroller frame. Please see figure 2.

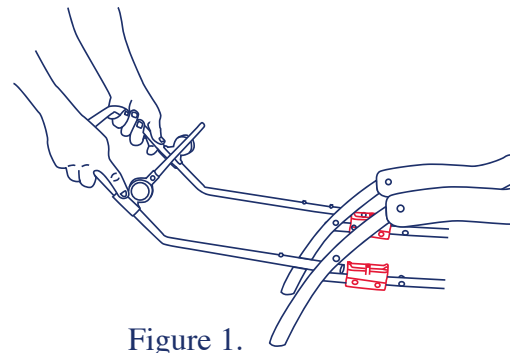


Figure 1.

**⚠️ WARNING:** Avoid serious injury from falling. Do Not use the Snap N Go bar if it is not securely locked onto both sides of the stroller.

### Step 2:

Refer to the table above to determine the correct Snap Bar position. If the Snap Bar needs to be moved to a different location, remove the screws holding the Snap Bar onto the Snap N Go Frame. Move the Snap Bar to the proper position as shown in figure 3a and re-attach with the screws and nuts provided. Tighten screws. Please see figure 3b.

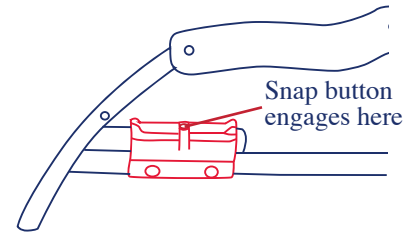


Figure 2.

### Step 3:

Refer to the table above to determine the correct Snap Bar angle. To adjust the Snap Bar angle, push the buttons on the outsides of the plastic fittings as shown in figure 4a. Rotate the bar to match the position specified and release the buttons. Please see figure 4b. Check that the bar has locked into the required position on both sides.

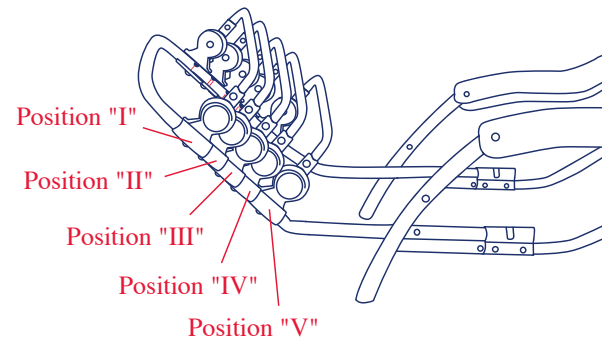


Figure 3a.

You are now ready to connect your infant car seat to the Snap N Go attachment system. Please see sections following for your specific infant car seat.

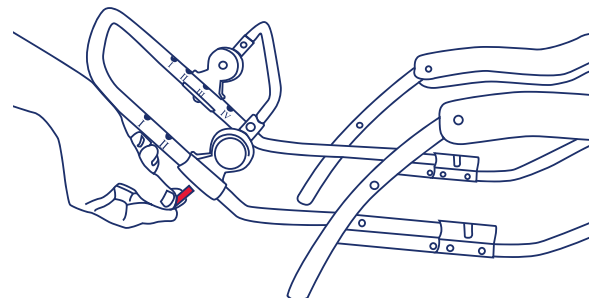


Figure 3b.

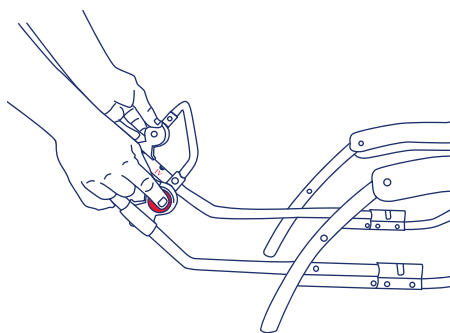


Figure 4a.

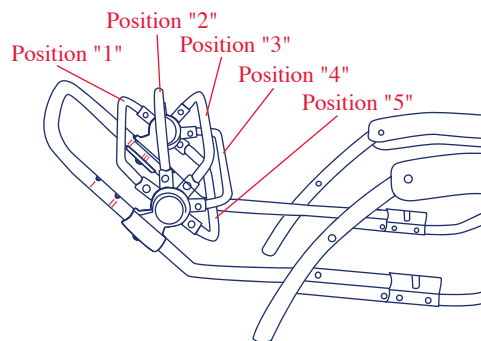


Figure 4b.

Cosco®, Peg Perego®, Primo Viaggio®, Evenflo®, Cozy Carry®, On my Way®, Embrace®, Century®, Vante®, Graco®, Cosco® Arriva® and Snug Ride® are the trademarks of their owners. They are not associated with Baby Trend, Inc. and no approval or endorsement is implied.

# Cosco Designer 22<sup>®</sup> and Designer 35<sup>®</sup>

Please follow the following instructions for proper installation of your infant car seat.

## Installation of the Cosco<sup>®</sup> Designer 22<sup>®</sup> and Designer 35<sup>®</sup> Infant Car Seat

1. Place front seat in the reclined position. With one hand grasp the car seat handle (in its upright, carrying position) and gently place the seat, so that the baby faces the rear of the stroller, onto the Snap-N-Go attachment system so that the large groove on the seat bottom rests on the Snap Bar.
2. Thread the two ends of the Car Seat Strap (attached to the Snap-N-Go frame) through the seat belt slots on the sides of the car seat, then snap the two buckles together (see Figure 2). The first time you do this, you will need to adjust the length of the strap for a tight fit around the car seat. **FOR SAFE OPERATION, IT IS VERY IMPORTANT THAT THE CAR SEAT STRAP IS ALWAYS TIGHTLY FASTENED AROUND THE CAR SEAT.**
3. Test for secure installation by moving the car seat in all directions. The car seat should be securely attached to the stroller.

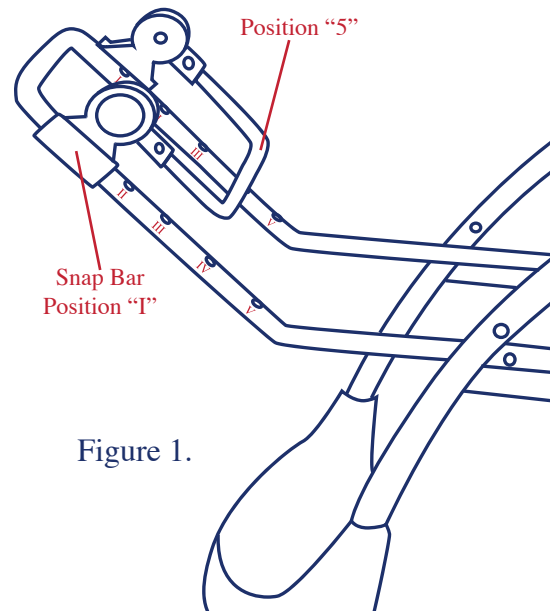


Figure 1.

## Removal of the Cosco<sup>®</sup> Designer 22<sup>®</sup> and Designer 35<sup>®</sup> Infant Car Seat

1. Unlock the Car Seat Strap and remove both ends from the seat belt slots on the side of the car seat.
2. With one hand, grasp the car seat handle (in its upright, carrying position) and lift the car seat upward from the Snap-N-Go attachment system.

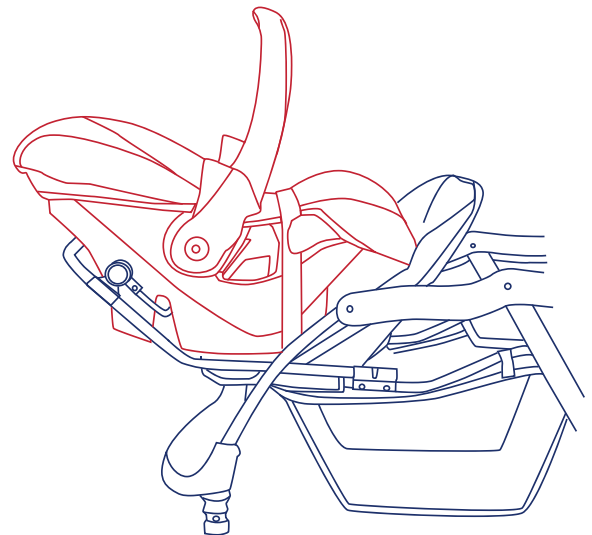


Figure 2.

Cosco<sup>®</sup>, Peg Perego<sup>®</sup>, Primo Viaggio<sup>®</sup>, Evenflo<sup>®</sup>, Cozy Carry<sup>®</sup>, On my Way<sup>®</sup>, Embrace<sup>®</sup>, Century<sup>®</sup>, Vante<sup>®</sup>, Graco<sup>®</sup>, Cosco<sup>®</sup> Arriva<sup>®</sup> and Snug Ride<sup>®</sup> are the trademarks of their owners. They are not associated with Baby Trend, Inc. and no approval or endorsement is implied.

# Peg Perego® Primo Viaggio®

Please follow the following instructions for proper installation of your infant car seat.

## Installation of Peg Perego® Primo Viaggio® Infant Car Seat

1. Place front seat in the reclined position. With one hand grasp the car seat handle (in its upright, carrying position) and gently place the seat, so that the baby faces the rear of the stroller, onto the Snap-N-Go attachment system so that the large groove on the seat bottom rests on the Snap Bar.
2. Rotate the car seat handle toward the foot end of the seat until locked into place. Loop the two ends of the Car Seat Strap (attached to the Snap-N-Go frame) over the car seat handle and snap the two buckles together (see Figure 2). The first time you do this, you will need to adjust the length of the strap for a tight fit around the car seat. **FOR SAFE OPERATION, IT IS VERY IMPORTANT THAT THE CAR SEAT STRAP IS ALWAYS TIGHTLY FASTENED AROUND THE CAR SEAT.**
3. Test for secure installation by moving the car seat in all directions. The car seat should be securely attached to the stroller.

## Removal of Peg Perego® Primo Viaggio® Infant Car Seat

1. Unlock the Car Seat Strap and remove both ends from over the car seat.
2. With one hand, grasp the car seat handle (in its upright, carrying position) and with your other hand squeeze the grey handle on the back of the car seat and lift the car seat upward from the Snap-N-Go attachment system.

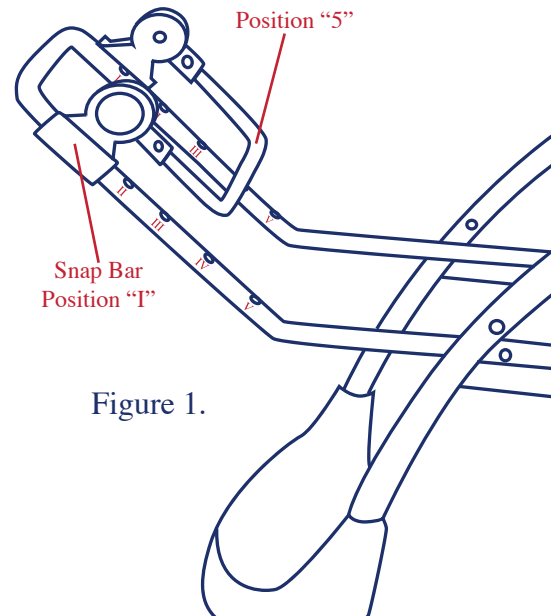


Figure 1.

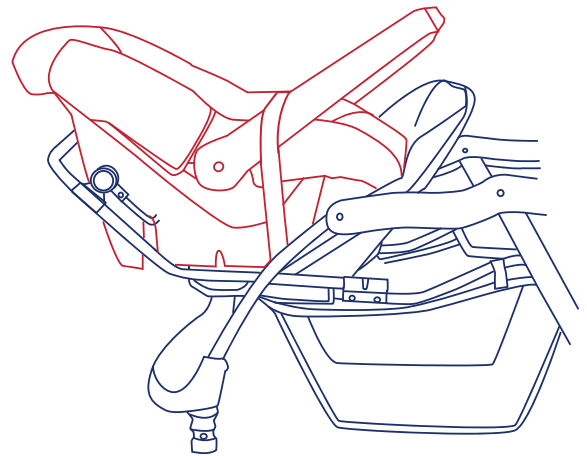


Figure 2.

Cosco®, Peg Perego®, Primo Viaggio®, Evenflo®, Cozy Carry®, On my Way®, Embrace®, Century®, Vante®, Graco®, Cosco® Arriva® and Snug Ride® are the trademarks of their owners. They are not associated with Baby Trend, Inc. and no approval or endorsement is implied.

# Evenflo® Cozy Carry®

Please follow the following instructions for proper installation of your infant car seat.

## Installation of the Evenflo® Cozy Carry® Infant Car Seat

1. Place front seat in the reclined position. With one hand grasp the car seat handle (in its upright, carrying position) and gently place the seat, so that the baby faces the rear of the Stroller, onto the Snap-N-Go attachment system so that the large groove on the seat bottom, nearest the head-end of the seat, hooks over the Snap Bar. Check that the seat locked onto the Snap Bar.
2. Loop the two ends of the Car Seat Strap (attached to the Snap-N-Go frame) over the car seat, half way between the handle and the foot-end of the seat, and snap the two buckles together (see Figure 3). The first time you do this, you will need to adjust the length of the strap for a tight fit around the car seat. **FOR SAFE OPERATION, IT IS VERY IMPORTANT THAT THE CAR SEAT STRAP IS ALWAYS TIGHTLY FASTENED OVER THE CAR SEAT.**
3. Test for secure installation by moving the car seat in all directions. The car seat should be securely attached to the stroller.

## Removal of the Evenflo® Cozy Carry® Infant Car Seat

1. Unlock the Car Seat Strap and remove from over the infant car seat.
2. With one hand, grasp the car seat handle (in its upright, carrying position) and with your other hand squeeze the red handle on the back of the car seat and lift the car seat upward from the Snap-N-Go frame.

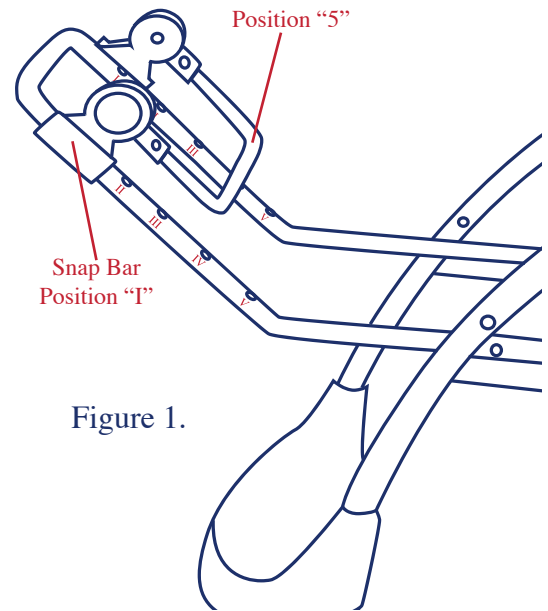


Figure 1.



Figure 2.

Cosco®, Peg Perego®, Primo Viaggio®, Evenflo®, Cozy Carry®, On my Way®, Embrace®, Century®, Vante®, Graco®, Cosco® Arriva® and Snug Ride® are the trademarks of their owners. They are not associated with Baby Trend, Inc. and no approval or endorsement is implied.

# Evenflo® On My Way®

Please follow the following instructions for proper installation of your infant car seat.

## Installation of the Evenflo® On My Way® Infant Car Seat

1. Place front seat in the reclined position. With one hand grasp the car seat handle (in its upright, carrying position) and gently place the seat, so that the baby faces the rear of the Stroller, onto the Snap-N-Go attachment system so that the large groove on the seat bottom, nearest the head-end of the seat, hooks over the Snap Bar. Check that the seat locked onto the Snap Bar.
2. Feed the Car Seat Straps through the auto belt slots on the infant car seat and snap the two buckles together (see Figure 2). The first time you do this, you will need to adjust the length of the strap for a tight fit around the car seat. **FOR SAFE OPERATION, IT IS VERY IMPORTANT THAT THE CAR SEAT STRAP IS ALWAYS TIGHTLY FASTENED OVER THE CAR SEAT.**
3. Test for secure installation by moving the car seat in all directions. The car seat should be securely attached to the stroller.

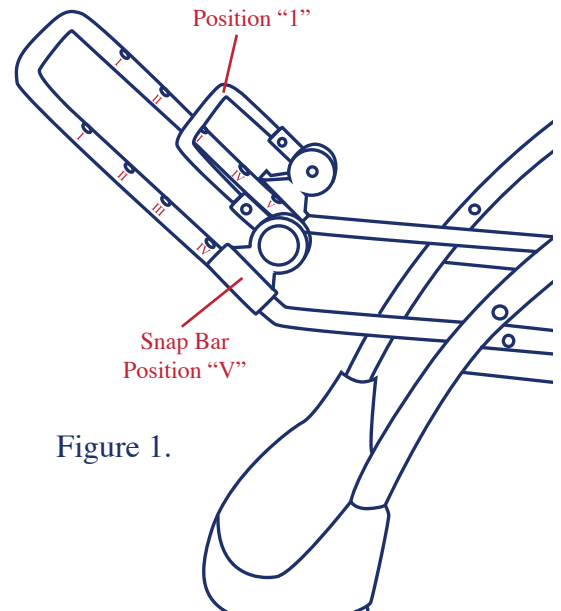


Figure 1.

## Removal of the Evenflo® On My Way® Infant Car Seat

1. Unlock the Car Seat Strap and remove from over the infant car seat.
2. With one hand, grasp the car seat handle (in its upright, carrying position) and with your other hand squeeze the red handle on the back of the car seat and lift the car seat upward from the Snap-N-Go frame.

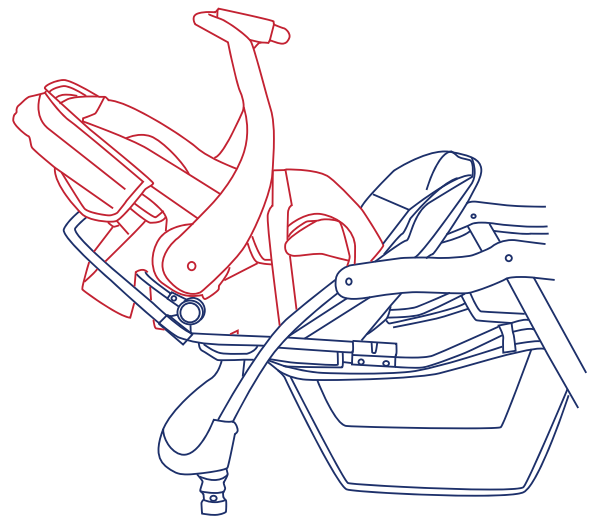


Figure 2.

Cosco®, Peg Perego®, Primo Viaggio®, Evenflo®, Cozy Carry®, On my Way®, Embrace®, Century®, Vante®, Graco®, Cosco® Arriva® and Snug Ride® are the trademarks of their owners. They are not associated with Baby Trend, Inc. and no approval or endorsement is implied.



# Evenflo® Embrace®

Please follow the following instructions for proper installation of your infant car seat.

## Installation of the Evenflo® Embrace® Infant Car Seat

1. Place front seat in the reclined position. With one hand grasp the car seat handle (in its upright, carrying position) and gently place the seat, so that the baby faces the rear of the Stroller, onto the Snap-N-Go attachment system so that the large groove on the seat bottom, nearest the head-end of the seat, hooks over the Snap Bar. Check that the seat locked onto the Snap Bar.
2. Loop the two ends of the Car Seat Strap (attached to the Snap-N-Go frame) over the car seat, half way between the handle and the foot-end of the seat, and snap the two buckles together (see Figure 2). The first time you do this, you will need to adjust the length of the strap for a tight fit around the car seat. **FOR SAFE OPERATION, IT IS VERY IMPORTANT THAT THE CAR SEAT STRAP IS ALWAYS TIGHTLY FASTENED OVER THE CAR SEAT.**
3. Test for secure installation by moving the car seat in all directions. The car seat should be securely attached to the stroller.

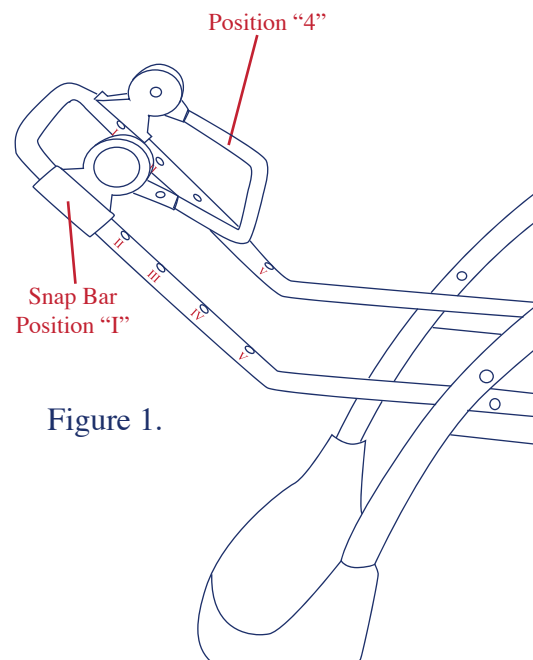


Figure 1.

## Removal of the Evenflo® Embrace® Infant Car Seat

1. Unlock the Car Seat Strap and remove from over the infant car seat.
2. With one hand, grasp the car seat handle (in its upright, carrying position) and with your other hand squeeze the red handle on the back of the car seat and lift the car seat upward from the Snap-N-Go frame.

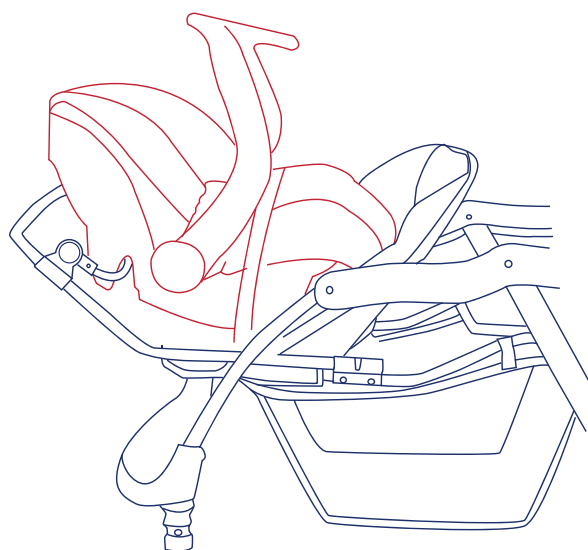


Figure 2.

Cosco®, Peg Perego®, Primo Viaggio®, Evenflo®, Cozy Carry®, On my Way®, Embrace®, Century®, Vante®, Graco®, Cosco® Arriva® and Snug Ride® are the trademarks of their owners. They are not associated with Baby Trend, Inc. and no approval or endorsement is implied.



# Century® Vante®

Please follow the following instructions for proper installation of your infant car seat.

## Installation of the Century® Vante® Infant Car Seat

1. Place front seat in the reclined position. With one hand grasp the car seat handle (in its upright, carrying position) and gently place the seat, so that the baby faces the rear of the Stroller, onto the Snap-N-Go attachment system so that the large groove on the seat bottom, nearest the head-end of the seat, hooks over the Snap Bar. Check that the seat locked onto the Snap Bar. See Figure 1.
2. Feed the Car Seat Straps through the auto belt slots on the infant car seat and snap the two buckles together (see Figure 2). The first time you do this, you will need to adjust the length of the strap for a tight fit around the car seat. **FOR SAFE OPERATION, IT IS VERY IMPORTANT THAT THE CAR SEAT STRAP IS ALWAYS TIGHTLY FASTENED OVER THE CAR SEAT.**
3. Test for secure installation by moving the car seat in all directions. The car seat should be securely attached to the stroller.

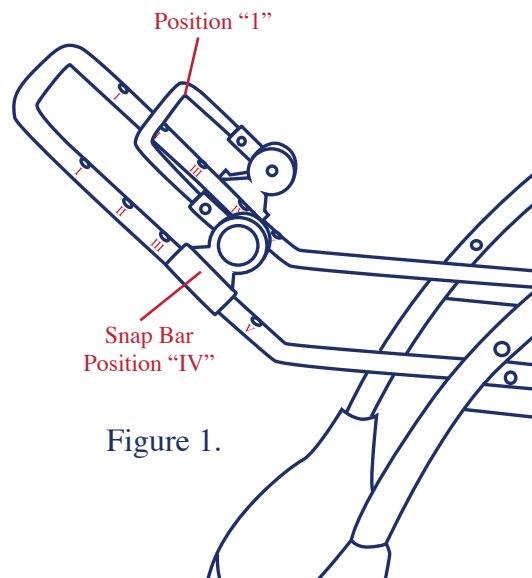


Figure 1.

## Removal of the Century® Vante® Infant Car Seat

1. Unlock the Car Seat Strap and remove from over the infant car seat.
2. With one hand, grasp the car seat handle (in its upright, carrying position) and with your other hand squeeze the red handle on the back of the car seat and lift the car seat upward from the Snap-N-Go frame.

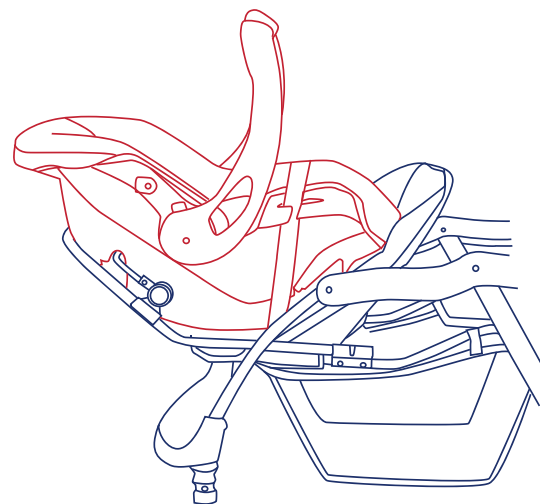


Figure 2.

Cosco®, Peg Perego®, Primo Viaggio®, Evenflo®, Cozy Carry®, On my Way®, Embrace®, Century®, Vante®, Graco®, Cosco® Arriva® and Snug Ride® are the trademarks of their owners. They are not associated with Baby Trend, Inc. and no approval or endorsement is implied.

# Graco Snug Ride®

Please follow the following instructions for proper installation of your infant car seat.

## Installation of the Graco® Snug Ride® Infant Car Seat

1. Place front seat in the reclined position. With one hand grasp the car seat handle (in its upright, carrying position) and gently place the seat, so that the baby faces the rear of the Stroller, onto the Snap-N-Go attachment system so that the large groove on the seat bottom, nearest the head-end of the seat, hooks over the Snap Bar. Check that the seat locked onto the Snap Bar.
2. Move Car Seat Straps to the rear location as shown in Figure 2. Feed the Car Seat Straps through the auto belt slots on the infant car seat and snap the two buckles together (see Figure 3). The first time you do this, you will need to adjust the length of the strap for a tight fit around the car seat. **FOR SAFE OPERATION, IT IS VERY IMPORTANT THAT THE CAR SEAT STRAP IS ALWAYS TIGHTLY FASTENED OVER THE CAR SEAT.**
3. Test for secure installation by moving the car seat in all directions. The car seat should be securely attached to the stroller.

## Removal of the Graco® Snug Ride® Infant Car Seat

1. Unlock the Car Seat Strap and remove from over the infant car seat.
2. With one hand, grasp the car seat handle (in its upright, carrying position) and with your other hand squeeze the red handle on the back of the car seat and lift the car seat upward from the Snap-N-Go frame.

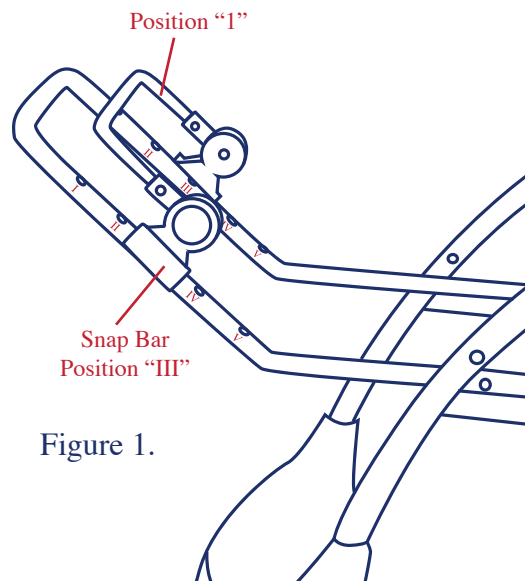


Figure 1.



Figure 2.

Cosco®, Peg Perego®, Primo Viaggio®, Evenflo®, Cozy Carry®, On my Way®, Embrace®, Century®, Vante®, Graco®, Cosco® Arriva® and Snug Ride® are the trademarks of their owners. They are not associated with Baby Trend, Inc. and no approval or endorsement is implied.

# Cosco Arriva

Please follow the following instructions for proper installation of your infant car seat.

## Installation of the Cosco® Arriva® Infant Car Seat

1. Place front seat in the reclined position. With one hand grasp the car seat handle (in its upright, carrying position) and gently place the seat, so that the baby faces the rear of the Stroller, onto the Snap-N-Go attachment system so that the seat bottom rest within the frame.
2. Feed the Car Seat Straps through the auto belt slots on the infant car seat and snap the two buckles together (see Figure 2). The first time you do this, you will need to adjust the length of the strap for a tight fit around the car seat. **FOR SAFE OPERATION, IT IS VERY IMPORTANT THAT THE CAR SEAT STRAP IS ALWAYS TIGHTLY FASTENED OVER THE CAR SEAT.**
3. Test for secure installation by moving the car seat in all directions. The car seat should be securely attached to the stroller.

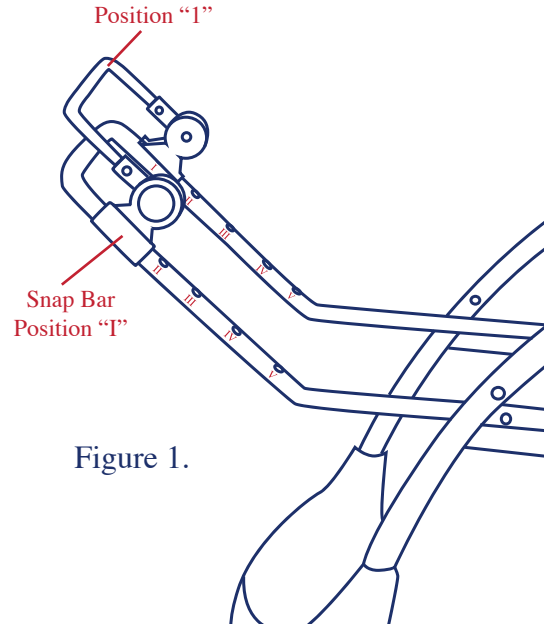


Figure 1.

## Removal of the Cosco® Arriva® Infant Car Seat

1. Unlock the Car Seat Strap and remove from over the infant car seat.
2. With one hand, grasp the car seat handle (in its upright, carrying position) and lift the car seat upward from the Snap-N-Go frame.



Figure 2.

Cosco®, Peg Perego®, Primo Viaggio®, Evenflo®, Cozy Carry®, On my Way®, Embrace®, Century®, Vante®, Graco®, Cosco® Arriva® and Snug Ride® are the trademarks of their owners. They are not associated with Baby Trend, Inc. and no approval or endorsement is implied.

# Baby Trend Latch-Loc, Flex-Loc

Please follow the following instructions for proper installation of your infant car seat.

## Installation of the Baby Trend® Latch-Loc® Infant Car Seat

1. Remove (unscrew) the Snap Bar from the Snap N Go attachment.
2. With one hand grasp the car seat handle (in its upright, carrying position) and gently place the seat, so that the baby faces the rear of the Stroller, onto the Snap-N-Go attachment system so that the large groove on the seat bottom, nearest the head-end of the seat, hooks over the BT Bar.
3. Feed the Car Seat Straps through the auto belt slots on the infant car seat and snap the two buckles together (see Figure 2). The first time you do this, you will need to adjust the length of the strap for a tight fit around the car seat. **FOR SAFE OPERATION, IT IS VERY IMPORTANT THAT THE CAR SEAT STRAP IS ALWAYS TIGHTLY FASTENED OVER THE CAR SEAT.**
4. Test for secure installation by moving the car seat in all directions. The car seat should be securely attached to the stroller.

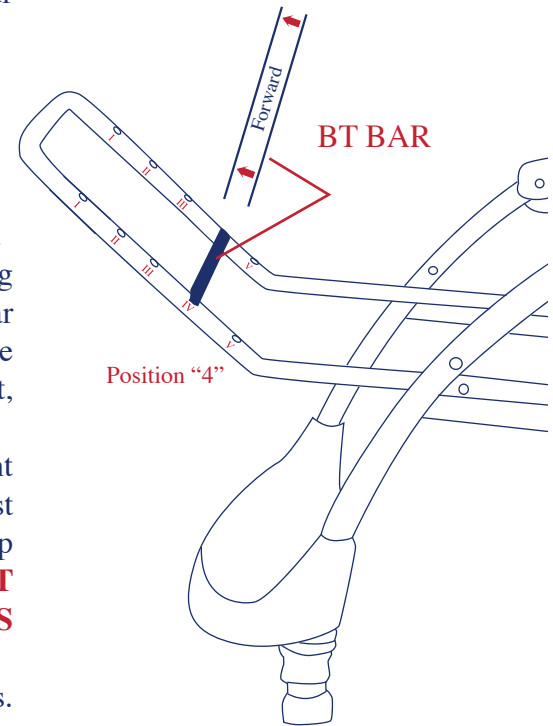


Figure 1.

## Removal of the Baby Trend® Latch-Loc® Infant Car Seat

1. Unlock the Car Seat Strap and remove from over the infant car seat.
2. With one hand, grasp the car seat handle (in its upright, carrying position) and with your other hand squeeze the handle on the footend of the car seat and lift the car seat upward from the Snap-N-Go frame.



Figure 2.

Cosco®, Peg Perego®, Primo Viaggio®, Evenflo®, Cozy Carry®, On my Way®, Embrace®, Century®, Vante®, Graco®, Cosco® Arriva® and Snug Ride® are the trademarks of their owners. They are not associated with Baby Trend, Inc. and no approval or endorsement is implied.