

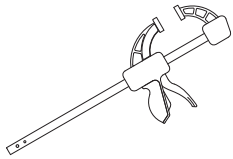
# TOOLS NEEDED



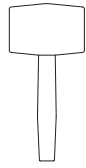
Tape Measure



Power Drill



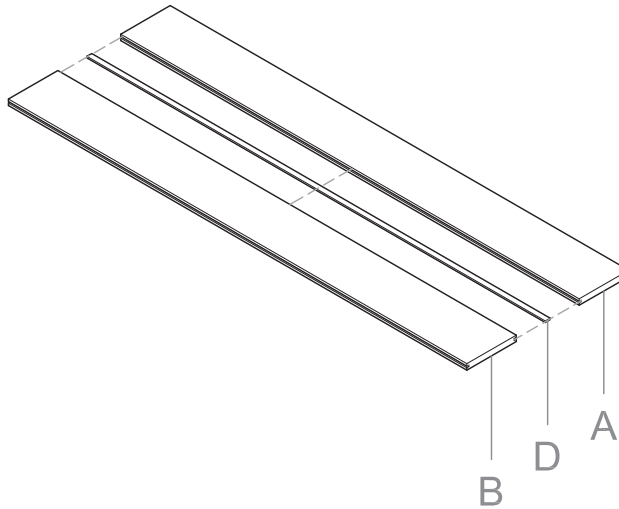
Clamps



Rubber Mallet

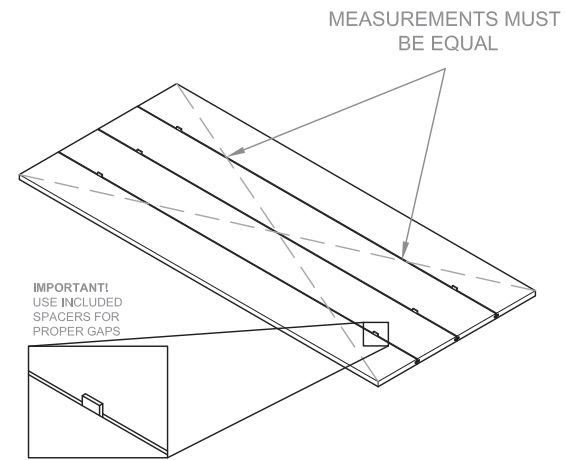


Slotted Screwdriver



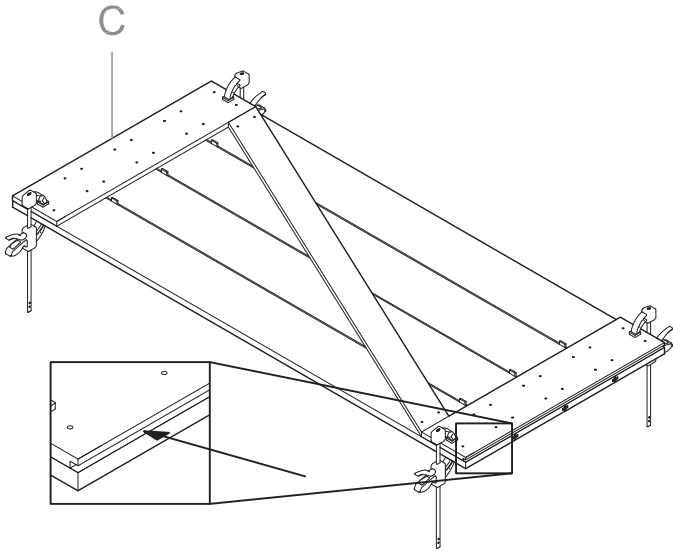
1

Fit spline (D) securely into slot in end plank (A). Fit mid plank (B) onto spline assembly. Continue fitting splines and planks taking care to keep board ends aligned.



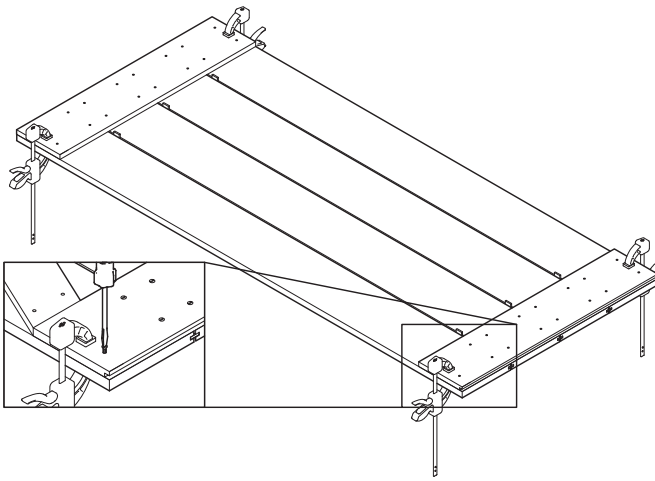
2

With planks assembled, insert the included spacers in between boards. Spacers should be inserted at the top and bottom of the door 9-12" from edge. Check square by measuring diagonally. Tap boards gently with rubber mallet to adjust measurements if needed.



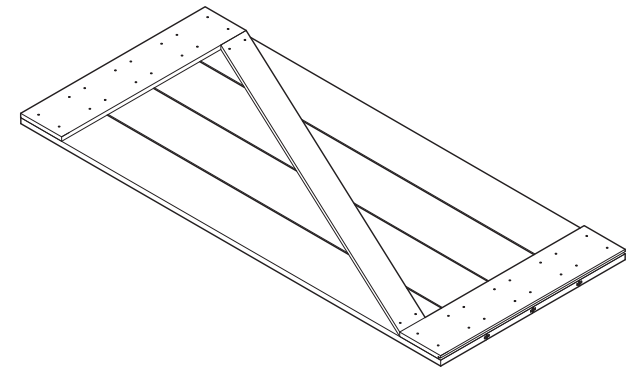
3

Arrange all face boards on door according to your chosen design. Clamp top and bottom rails (C) securely to door. Verify the position of the bottom slot (if present)



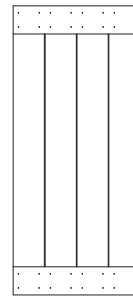
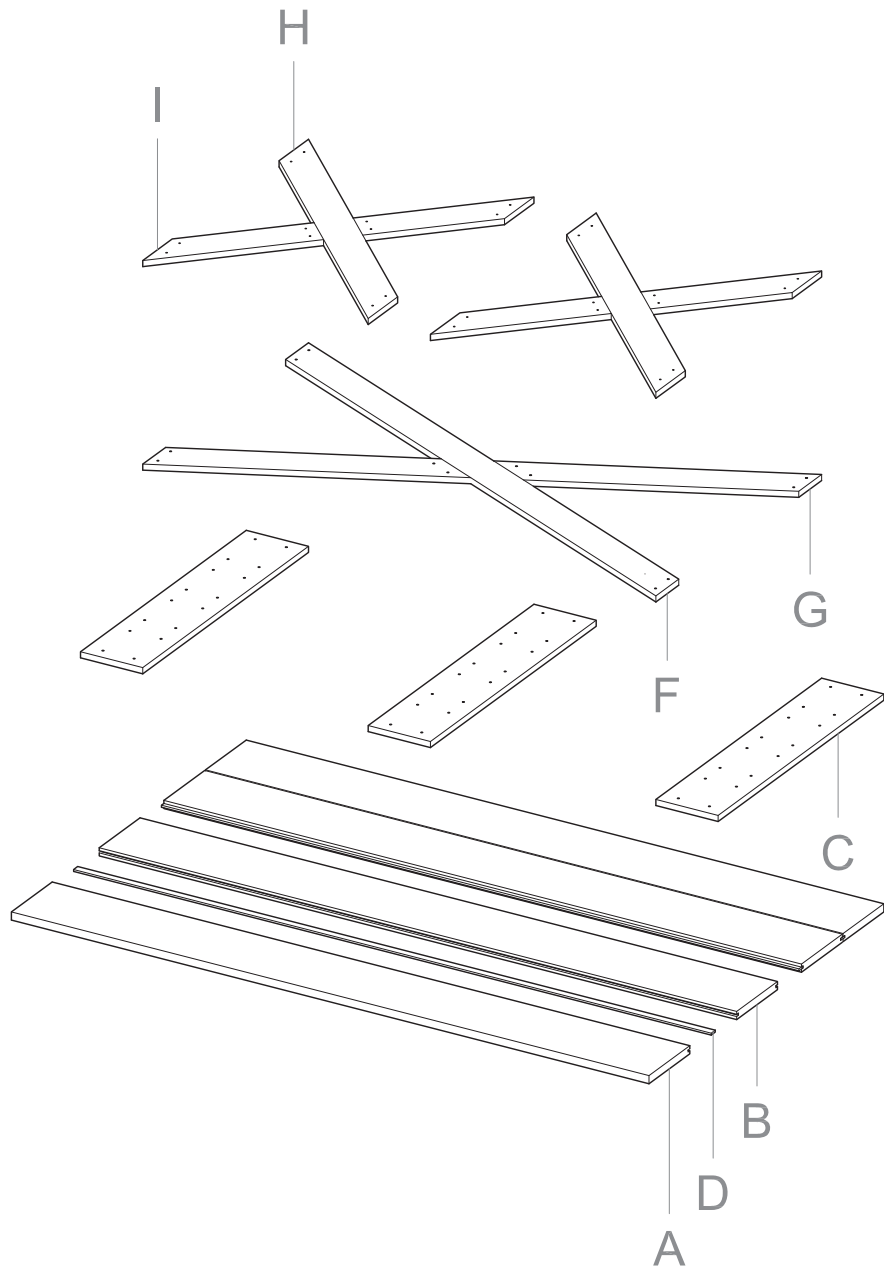
4

Install included drill bit with 1-1/4" of the bit extending from drill. Drill pilot holes through countersink holes in rails making sure not to drill deeper than 1-1/4". Affix rails with included screws. **DO NOT OVERTIGHTEN!!**



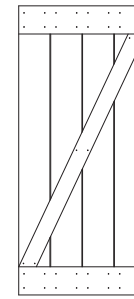
5

Follow same procedure in previous step for any remaining face boards on door. Remove clamps. Door is now ready to install.



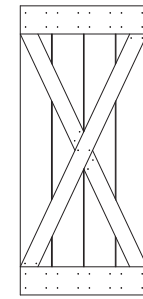
A - 2  
B - Varies  
C - 2  
D - Varies  
E - Varies  
F - 0  
G - 0  
H - 0  
I - 0

PLANK



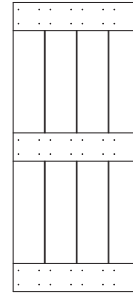
A - 2  
B - Varies  
C - 2  
D - Varies  
E - Varies  
F - 1  
G - 0  
H - 0  
I - 0

Z-BRACE



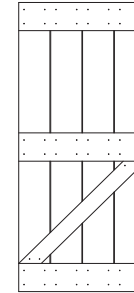
A - 2  
B - Varies  
C - 2  
D - Varies  
E - Varies  
F - 1  
G - 2  
H - 0  
I - 0

X-BRACE



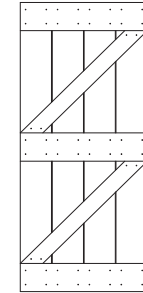
A - 2  
B - Varies  
C - 3  
D - Varies  
E - Varies  
F - 0  
G - 0  
H - 0  
I - 0

MID-BAR



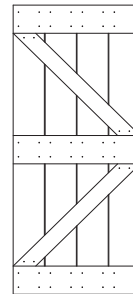
A - 2  
B - Varies  
C - 3  
D - Varies  
E - Varies  
F - 0  
G - 0  
H - 1  
I - 0

HALF Z-BRACE



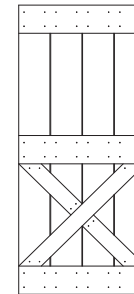
A - 2  
B - Varies  
C - 3  
D - Varies  
E - Varies  
F - 0  
G - 0  
H - 2  
I - 0

DOUBLE Z-BRACE



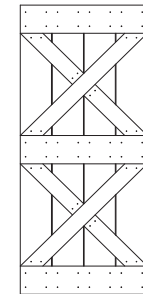
A - 2  
B - Varies  
C - 3  
D - Varies  
E - Varies  
F - 0  
G - 0  
H - 2  
I - 0

BRITISH BRACE



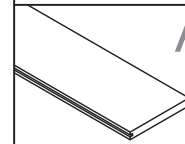
A - 2  
B - Varies  
C - 3  
D - Varies  
E - Varies  
F - 0  
G - 0  
H - 1  
I - 1

HALF X-BRACE

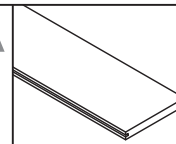


A - 2  
B - Varies  
C - 3  
D - Varies  
E - Varies  
F - 0  
G - 0  
H - 2  
I - 2

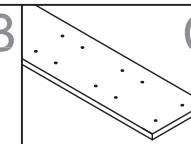
DOUBLE X-BRACE



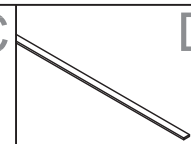
END PLANK



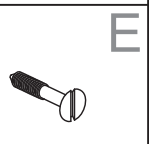
MID PLANK



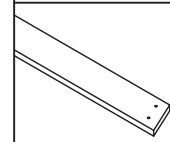
TOP/MID/BTM RAIL



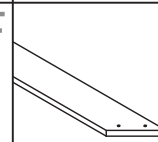
JOINT SPLINE



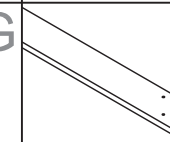
#10 x 1-1/4"



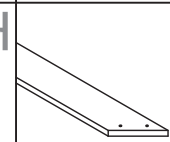
LARGE Z



LARGE X



SMALL Z



SMALL X