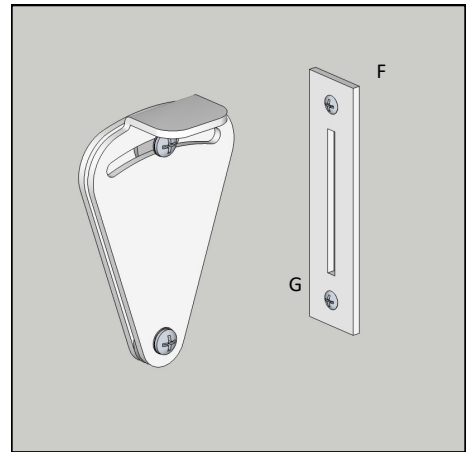
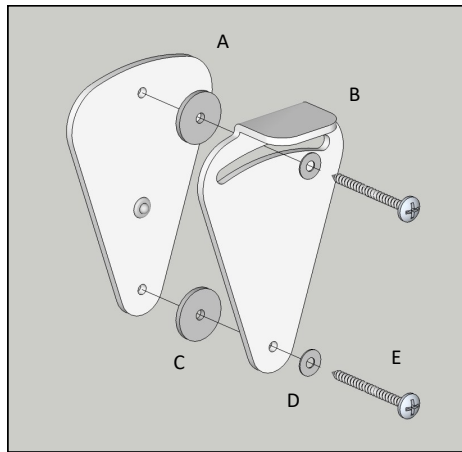


TEARDROP PRIVACY LOCK INSTALLATION

Teardrop Privacy Lock

Mounts to door or door jamb for privacy on sliding doors. May also be used on pocket door jambs. Reversible handing. *Wood screws included for mounting to wooden surfaces.*

For emergency access, slide a thin card such as a credit card upward to release the lock. **WARNING:** if used on a pocket door, a 1/8" diameter through-hole must be drilled behind the strike plate so that an object such as a paper clip can release the lock.



Tools Needed:

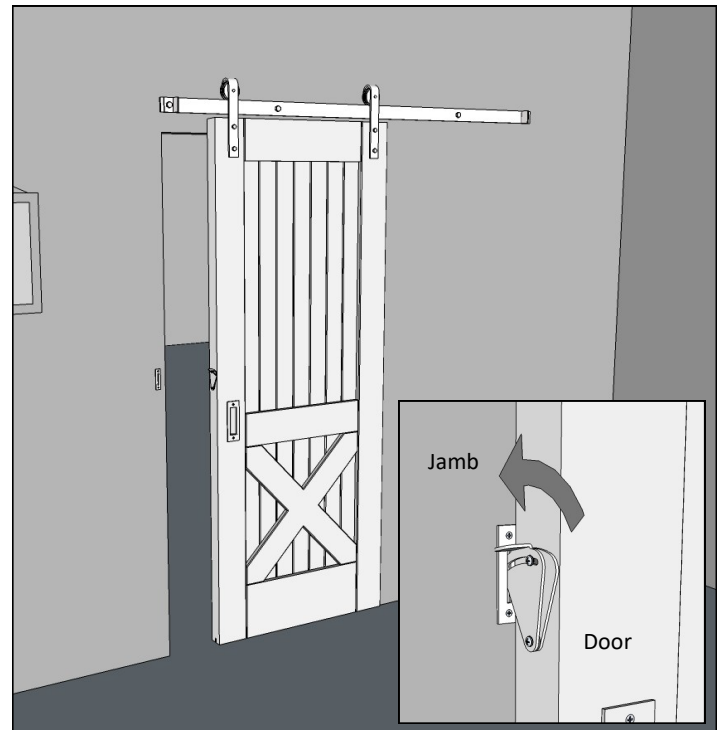
Cordless Drill
Drill bits (1/16", 1/8", and 5/16")
Spade bit (1/4")
Philips screwdriver (#1 and #2)
Chisel

A) Back plate (1x)
B) Front plate (1x)
C) 11/16" dia. washer (2x)
D) 3/8" dia. washer (2x)
E) #8 x 1-1/4" screw (2x)

F) Strike plate (1x)
G) #4 x 3/4" screw (2x)



Teardrop mounted on Jamb



Teardrop mounted on Door edge

REALCRAFT, INC.

9770 44th Ave. NW
Gig Harbor, WA 98332

Tel: (800) 694-5977
Fax: (253) 649-4241

REALCRAFT

This print is the property of RealCraft Inc.
Updated: October 28, 2020