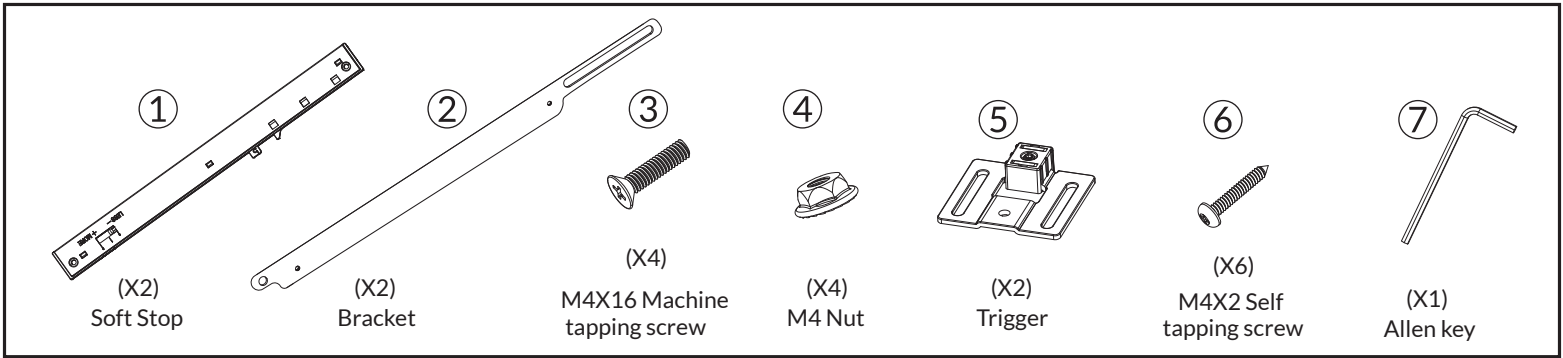
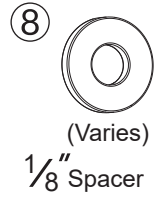
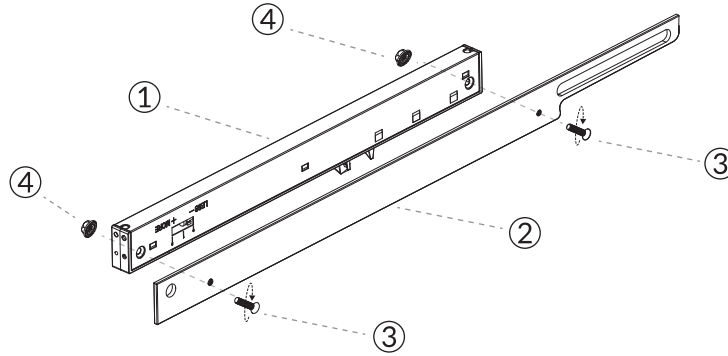


For detailed instructions go to [bit.ly/soft-stop](http://bit.ly/soft-stop)

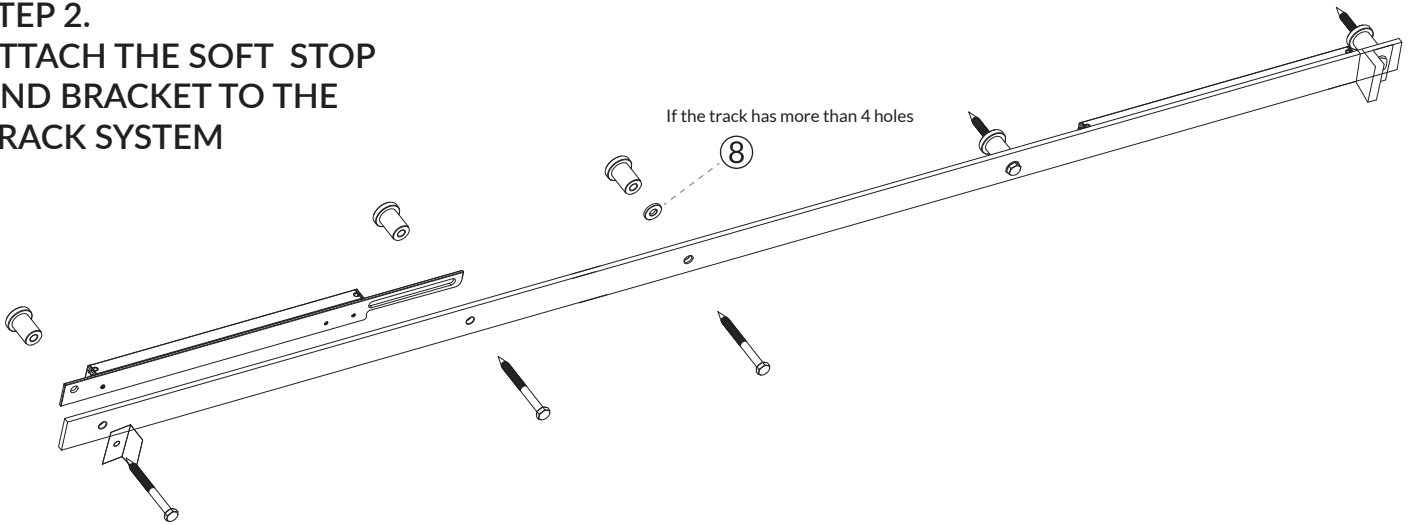


## STEP 1. ATTACH THE SOFT STOP TO THE BRACKET



Note: 1/8" Spacers are only needed for tracks with more than 4 holes.

## STEP 2. ATTACH THE SOFT STOP AND BRACKET TO THE TRACK SYSTEM



## STEP 3. ATTACH THE TRACK TO THE WALL OR LEDGER BOARD.

HANG THE DOOR AND MOVE IT TO THE END OF THE TRACK OR DESIRED POSITION.

ATTACH THE TRIGGER BETWEEN THE TABS OF THE ACTUATOR. ADJUST THE TRIGGER HEIGHT IF NEEDED.

