

GENERAL NOTES:

ACTUAL TRACK LENGTHS ARE 1" LESS THAN 2X THE NOMINAL DOOR WIDTH (i.e., A 36" WIDE DOOR WOULD HAVE A 71" TRACK).

TRACK STANDOFFS ARE AVAILABLE FOR DOORS UP TO 2-1/4" THICK.

DOORS MORE THAN 1" OVER TYPICAL SIZES (i.e. 37" ON A NOMINAL 6" TRACK) REQUIRE THE TYPICAL HANGER OFFSET BE ALTERED. SEE INSTALLATION CUT SHEET FOR MORE INFORMATION.

IF YOUR DOOR IS A CUSTOM SIZE (i.e. 40"), YOU WILL HAVE TO REPOSITION ONE END STOP, DRILL ONE HOLE AT DESIRED LOCATION AND USE HEX BOLT TO FASTEN (NOT INCLUDED), YOU MAY ALSO USE ADJUSTABLE END STOPS (OPTIONAL ACCESSORY) OR REQUEST A CUSTOM FABRICATION.

FOR BI-PARTING DOORS, BUTT THE TRACK OF EACH KIT END TO END TIGHTLY. JOINING TRACKS IS NOT NECESSARY.

REALCRAFT
 9770 44th Ave NW
 Suite 104, Gig Harbor
 Washington - 98332

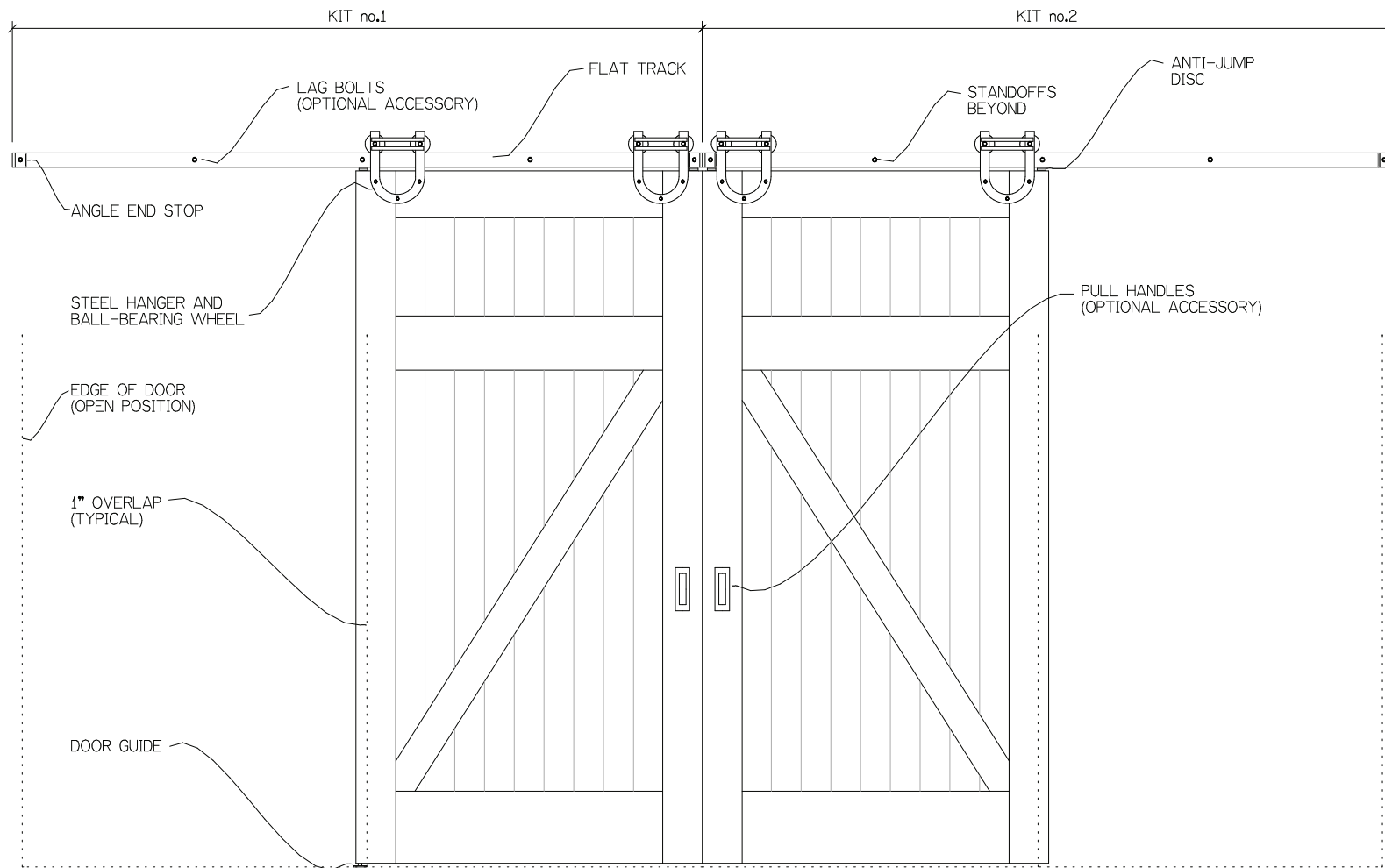
HORSESHOE FLAT TRACK - SINGLE DOOR OVERVIEW

DESCRIPTION/NOTES:

This print is property of RealCraft and is loaned to the recipient for reference purposes. All contents on this sheet are confidential and must not be copied, submitted, or shared with third parties for examination without RealCraft's express written consent.

DRWG NO:

DATE:



GENERAL NOTES:

ACTUAL TRACK LENGTHS ARE 1" LESS THAN 2X THE NOMINAL DOOR WIDTH (i.e., A 36" WIDE DOOR WOULD HAVE A 71" TRACK).

TRACK STANDOFFS ARE AVAILABLE FOR DOORS UP TO 2-1/4" THICK.

DOORS MORE THAN 1" OVER TYPICAL SIZES (i.e. 37" ON A NOMINAL 6" TRACK) REQUIRE THE TYPICAL HANGER OFFSET BE ALTERED. SEE INSTALLATION CUT SHEET FOR MORE INFORMATION.

IF YOUR DOOR IS A CUSTOM SIZE (i.e. 40"), YOU WILL HAVE TO REPOSITION ONE END STOP. DRILL ONE HOLE AT DESIRED LOCATION AND USE HEX BOLT TO FASTEN (NOT INCLUDED). YOU MAY ALSO USE ADJUSTABLE END STOPS (OPTIONAL ACCESSORY) OR REQUEST A CUSTOM FABRICATION.

FOR BI-PARTING DOORS, BUTT THE TRACK OF EACH KIT END TO END TIGHTLY. JOINING TRACKS IS NOT NECESSARY.

REALCRAFT
 9770 44th Ave NW
 Suite 104, Gig Harbor
 Washington - 98332

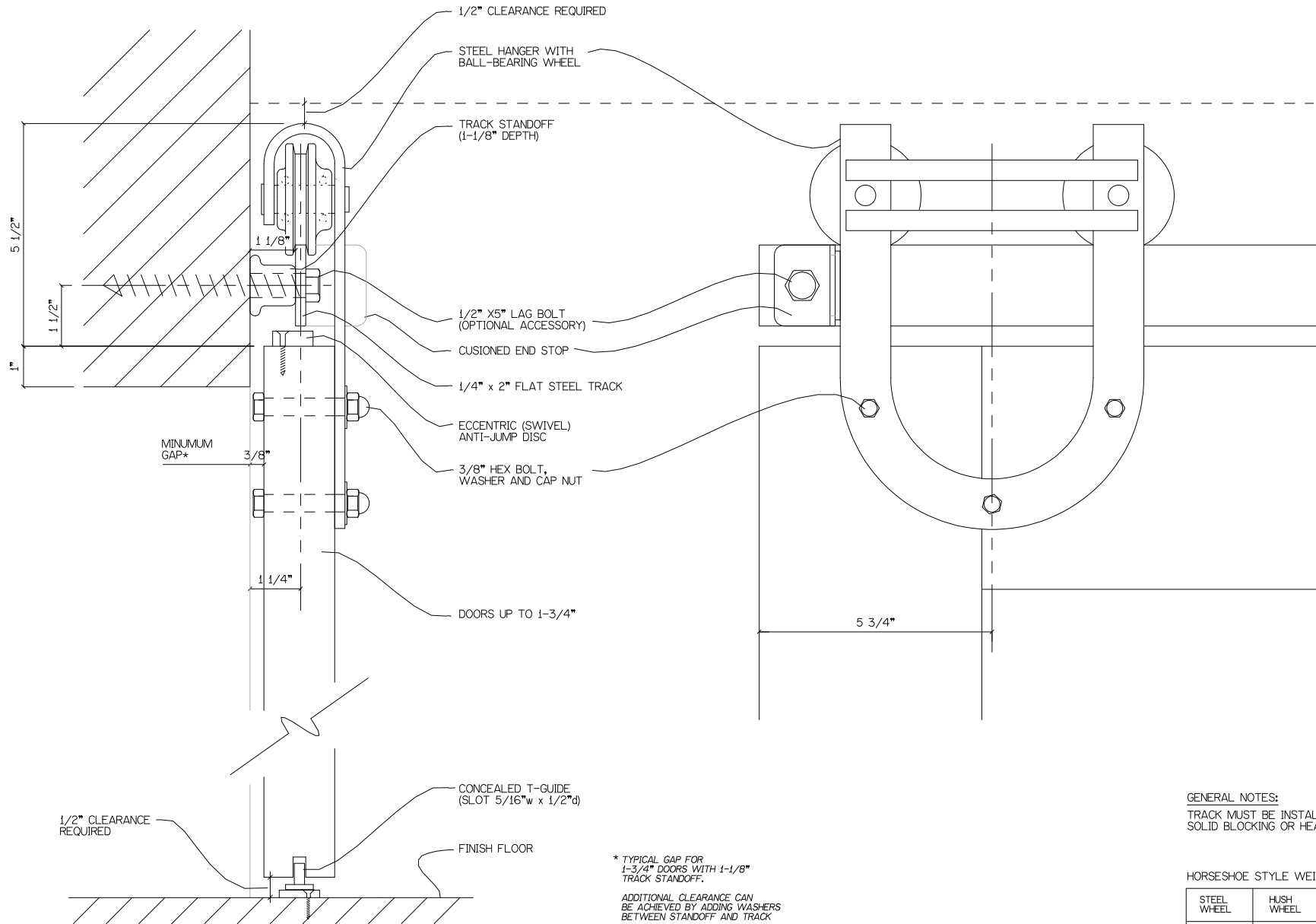
HORSESHOE FLAT TRACK - BI-PARTING DOORS OVERVIEW

DESCRIPTION/NOTES:

This print is property of RealCraft and is loaned to the recipient for reference purposes. All contents on this sheet are confidential and must not be copied, submitted, or shared with third parties for examination without RealCraft's express written consent.

DRWG NO:

DATE:



* TYPICAL GAP FOR 1-3/4" DOORS WITH 1-1/8" TRACK STANDOFF.
ADDITIONAL CLEARANCE CAN BE ACHIEVED BY ADDING WASHERS BETWEEN STANDOFF AND TRACK

GENERAL NOTES:
TRACK MUST BE INSTALLED INTO SOLID BLOCKING OR HEAD CASING.

HORSESHOE STYLE WEIGHT RATINGS**

STEEL WHEEL	HUSH WHEEL	WOOD WHEEL
550 LBS	550 LBS	110 LBS

**RATING PER PAIR OF HANGERS

REALCRAFT
9770 44th Ave NW
Suite 104, Gig Harbor
Washington - 98332

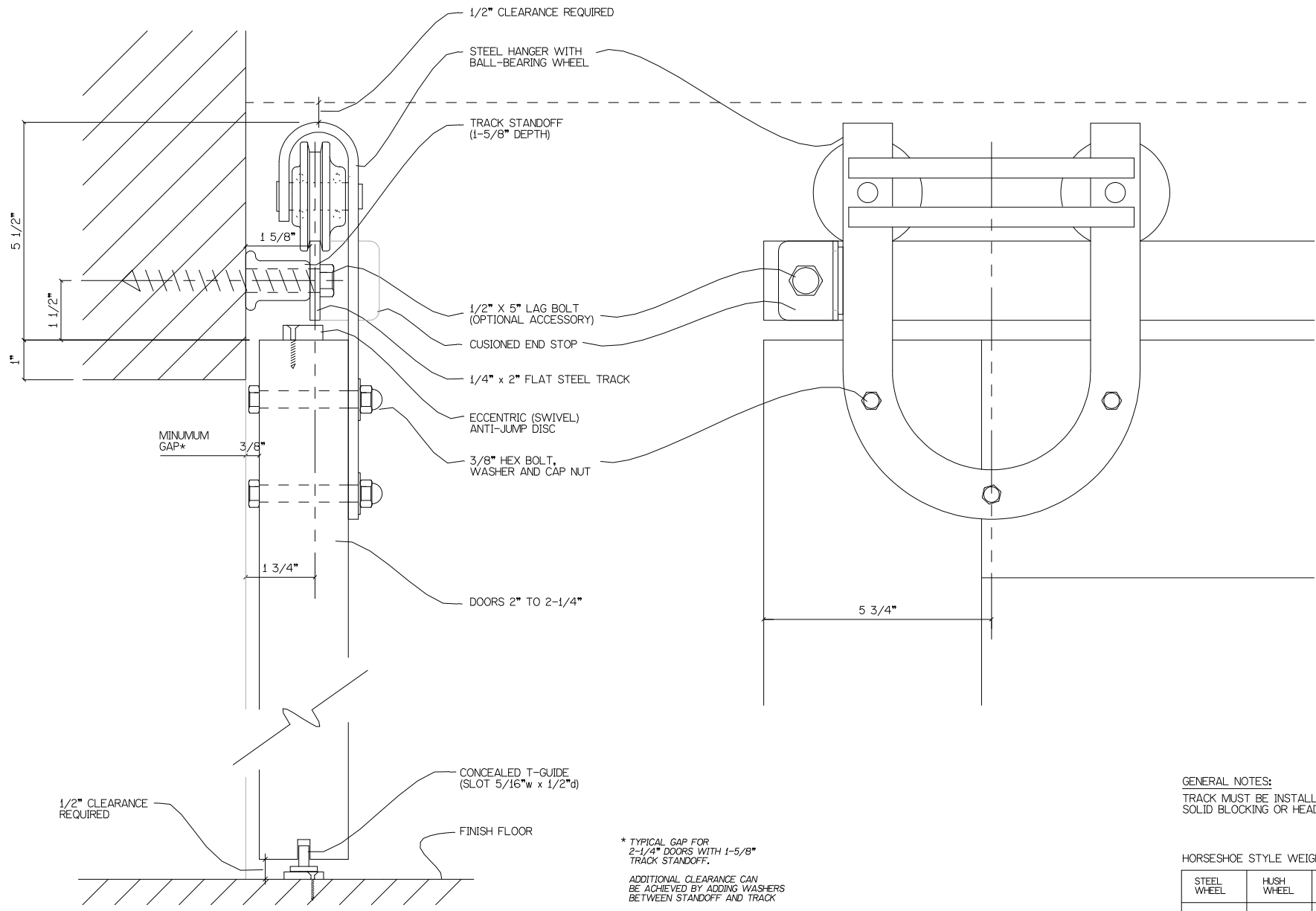
HORSESHOE FLAT TRACK - DOORS UP TO 1-3/4"

DESCRIPTION/NOTES: SECTION AND ELEVATION VIEWS

This print is property of RealCRAFT and is loaned to the recipient for reference purposes. All contents on this sheet are confidential and must not be copied, submitted, or shared with third parties for examination without RealCRAFT's express written consent.

DRWG NO:

DATE:



MINIMUM GAP*

* TYPICAL GAP FOR 2-1/4" DOORS WITH 1-5/8" TRACK STANDOFF.
ADDITIONAL CLEARANCE CAN BE ACHIEVED BY ADDING WASHERS BETWEEN STANDOFF AND TRACK

GENERAL NOTES:
TRACK MUST BE INSTALLED INTO SOLID BLOCKING OR HEAD CASING.

HORSESHOE STYLE WEIGHT RATINGS**

STEEL WHEEL	HUSH WHEEL	WOOD WHEEL
550 LBS	550 LBS	110 LBS

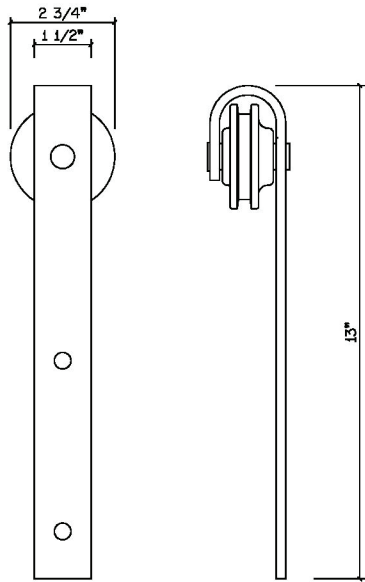
**RATING PER PAIR OF HANGERS

REALCRAFT
9770 44th Ave NW
Suite 104, Gig Harbor
Washington - 98332

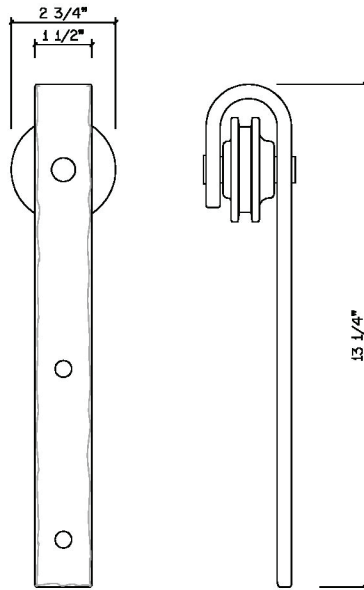
HORSESHOE FLAT TRACK - DOORS UP TO 1-3/4"
DESCRIPTION/NOTES: **SECTION AND ELEVATION VIEWS**

This print is property of RealCraft and is loaned to the recipient for reference purposes. All contents on this sheet are confidential and must not be copied, submitted, or shared with third parties for examination without RealCraft's express written consent.

DRWG NO:
DATE:

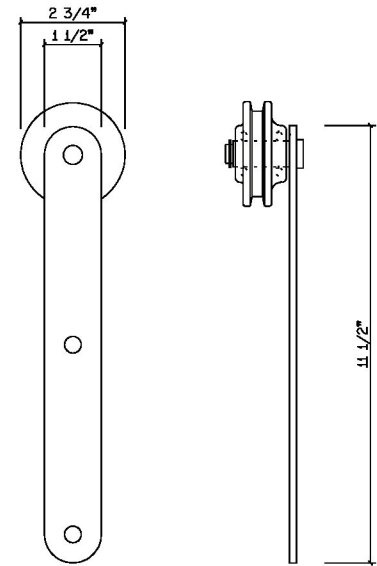


CLASSIC STYLE
HANGER

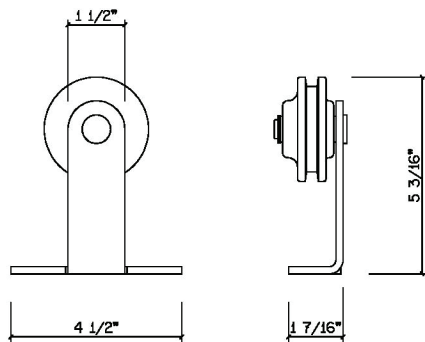


HAMMERED STYLE
HANGER

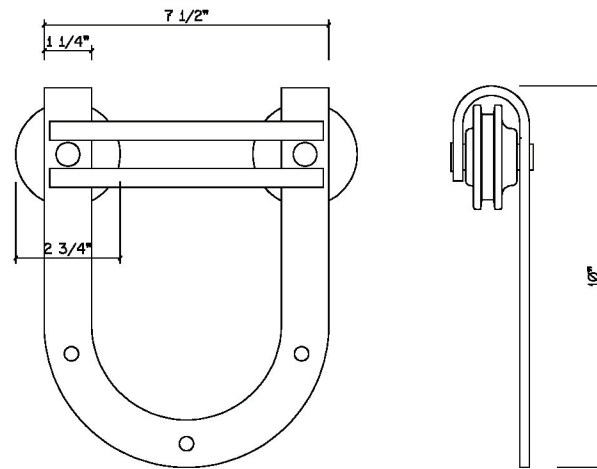
NOTE:
HAMMERED HANGERS
ARE HAND-FORGED
AND DIMENSIONS MAY
VARY SLIGHTLY



PROP STYLE
HANGER



AERO STYLE
HANGER



HORSESHOE STYLE
HANGER

REALCRAFT
9770 44th Ave NW
Suite 104, Gig Harbor
Washington - 98332

FLAT TRACK HANGER STYLES

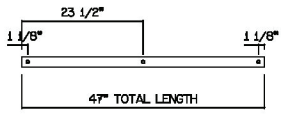
DESCRIPTION/NOTES:

This print is property of RealCraft and is loaned to the recipient for reference purposes. All contents on this sheet are confidential and must not be copied, submitted, or shared with third parties for examination without RealCraft's express written consent.

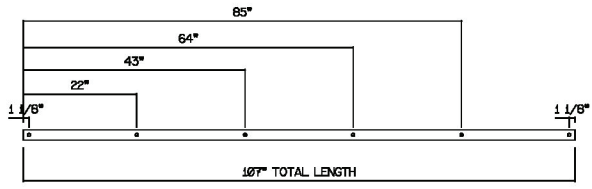
DRWG NO:

DATE:

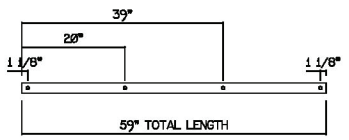
SF-04



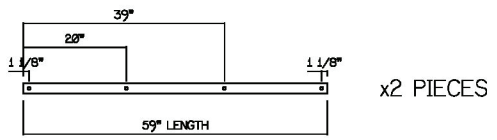
SF-09



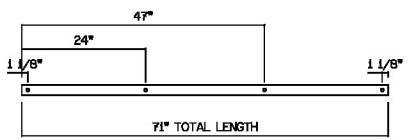
SF-05



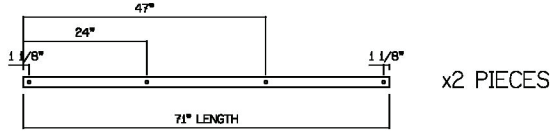
SF-10-2PC



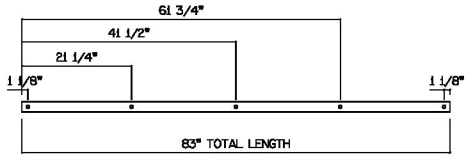
SF-06



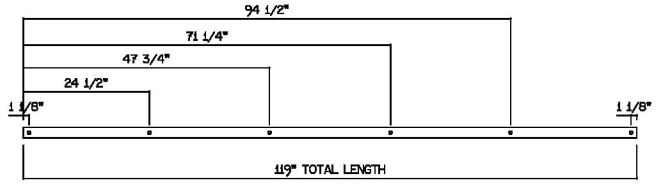
SF-12-2PC



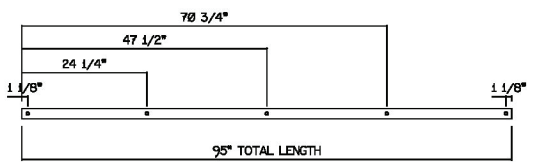
SF-07



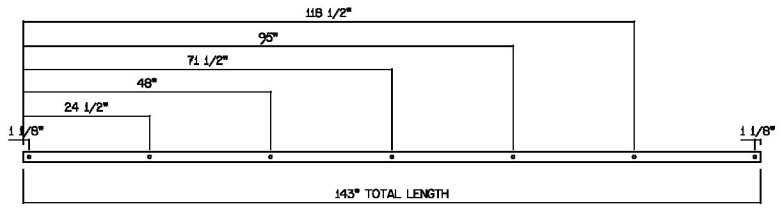
SF-10*



SF-08



SF-12*



*THESE ITEMS ARE TOO LONG FOR FEDEX AND MUST SHIP FREIGHT

REALCRAFT
 9770 44th Ave NW
 Suite 104, Gig Harbor
 Washington - 98332

FLAT TRACK STANDARD LENGTHS

(CLASSIC, HORSESHOE, HAMMERED, PROP, AND AERO STYLE)

DESCRIPTION/NOTES: HOLE PATTERNS ARE EVENLY SPACED 24" ON CENTER OR LESS. STANDARD TRACK LENGTHS SHOWN. CUSTOM LENGTHS AVAILABLE.
 NOTE: HOLE MEASUREMENTS ARE FOR GENERAL INFO ONLY AND NOT INTENDED FOR USE AS A DRILLING TEMPLATE.

This print is property of RealCraft and is loaned to the recipient for reference purposes. All contents on this sheet are confidential and must not be copied, submitted, or shared with third parties for examination without RealCraft's express written consent.

DRWG NO:

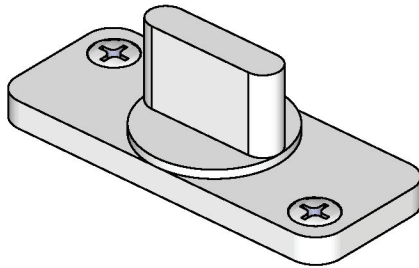
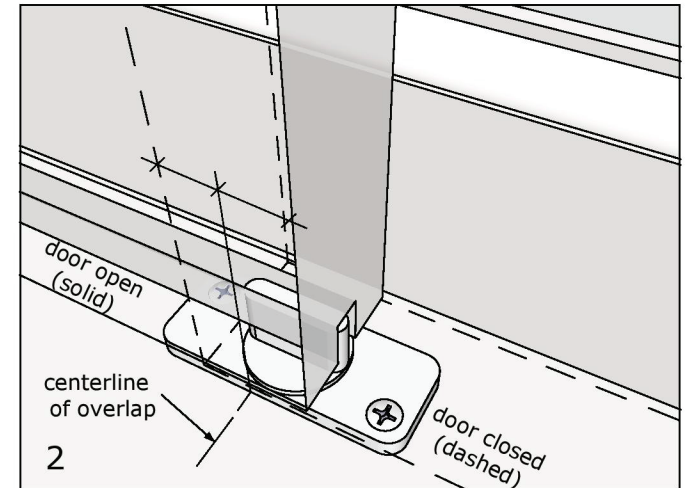
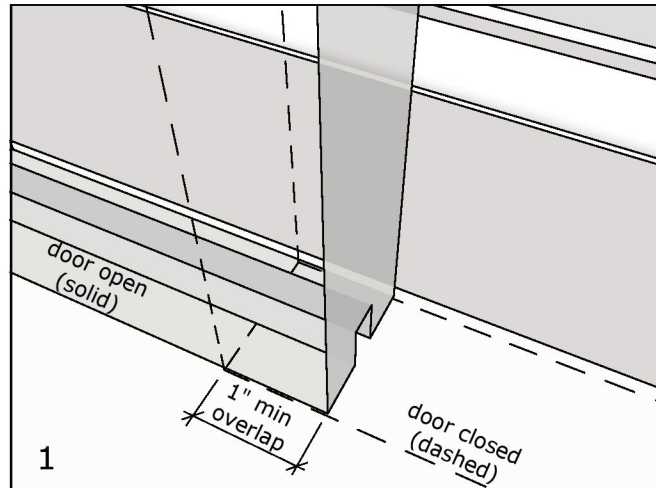
DATE:

To install:

Determine how wide the door 'overlap' will be. The overlap is the distance between the leading edge of the door when fully open, and the trailing edge of the door when fully closed (1).

Mark centerline of overlap and place center of guide on line (2).

Predrill and install on floor so door will hang plumb.

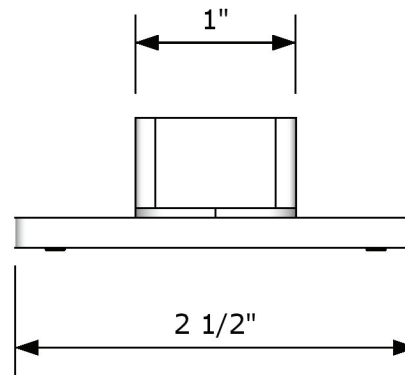


General Notes:

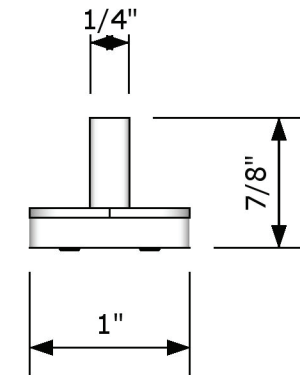
For use in wood doors when a semi-concealed look is desired.

Requires a 5/16"W x 1/2"H continuous slot in bottom of door

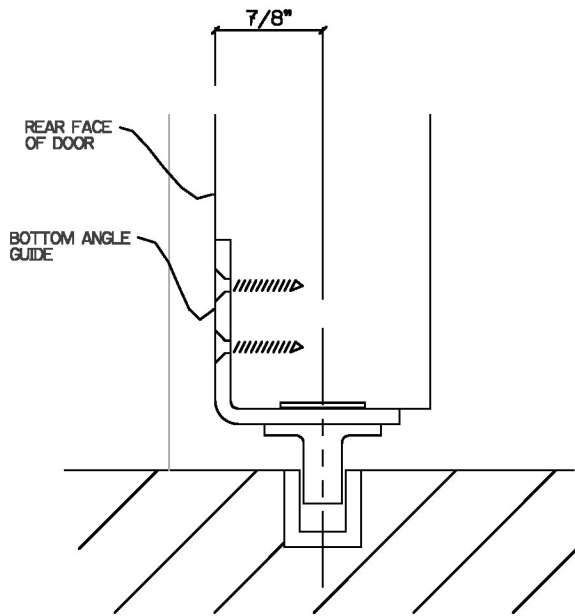
Smooth, high strength glide plastic guides door gently and quietly.



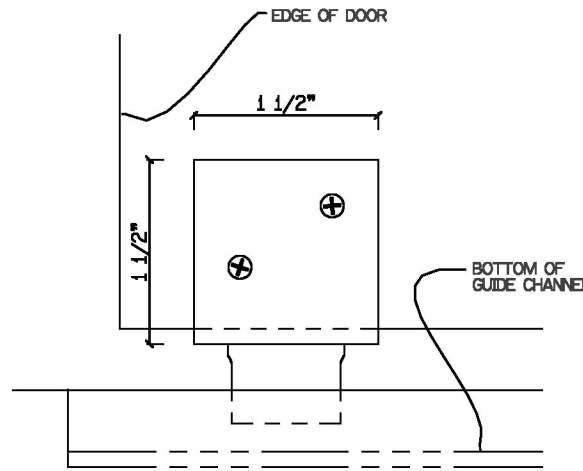
FRONT VIEW



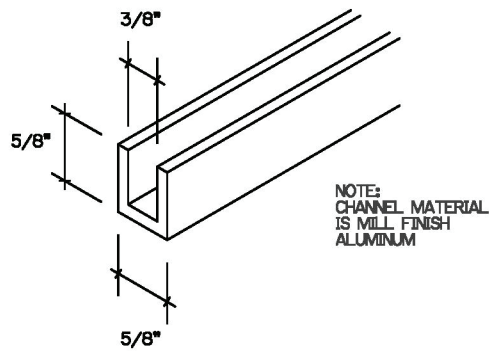
SIDE VIEW



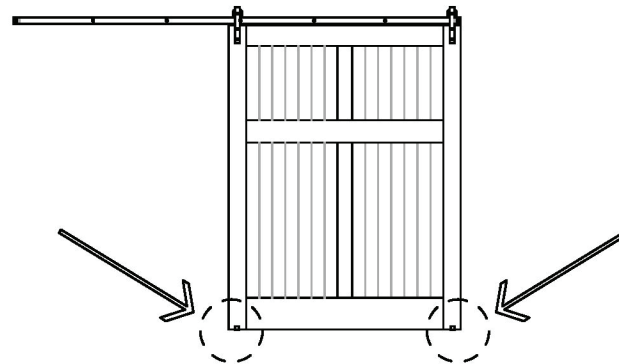
SECTION VIEW



REAR VIEW



CHANNEL DIMENSIONS



GUIDE LOCATIONS

GENERAL NOTES:

GUIDES DOOR AT FLOOR AND KEEPS DOOR FROM SWINGING IN AND OUT

INSTALL GUIDE TO REAR OF DOOR AFTER DOOR IS HUNG. DOOR SHOULD HANG PLUMB TO WALL.

CHANNEL MAY BE SCREWED TO SLOT IN A WOOD FLOOR OR SET IN CONCRETE. CHANNEL MUST BE COATED WITH A BITUMINOUS OR ASPHALT-BASED PAINT PRIOR TO CONCRETE EMBEDMENT

USE FOR ADDED EXTERIOR DOOR SECURITY / RIGIDITY

REALCRAFT
 9770 44th Ave NW
 Suite 104, Gig Harbor
 Washington - 98332

3/8" CHANNEL SYSTEM AND ANGLE GUIDE

DESCRIPTION/NOTES:

This print is property of RealCraft and is loaned to the recipient for reference purposes. All contents on this sheet are confidential and must not be copied, submitted, or shared with third parties for examination without RealCraft's express written consent.

DRWG NO:

DATE: