

ADJUSTABLE END STOP

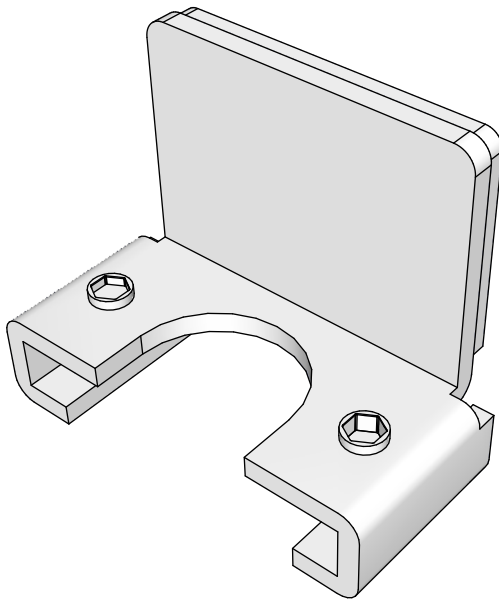
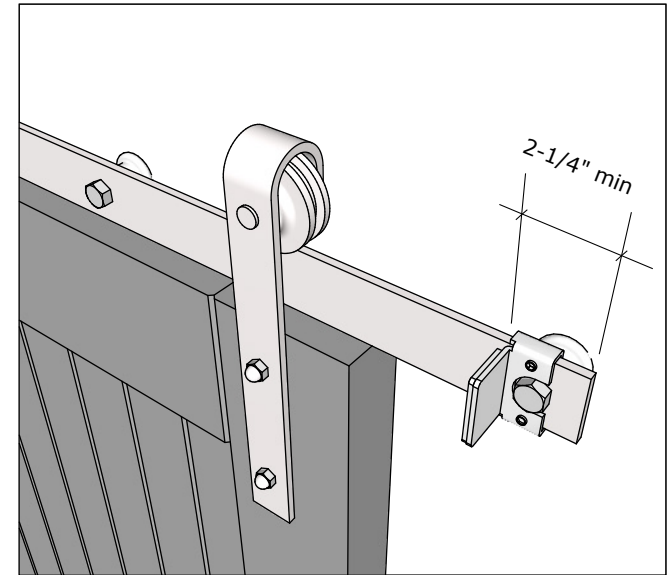
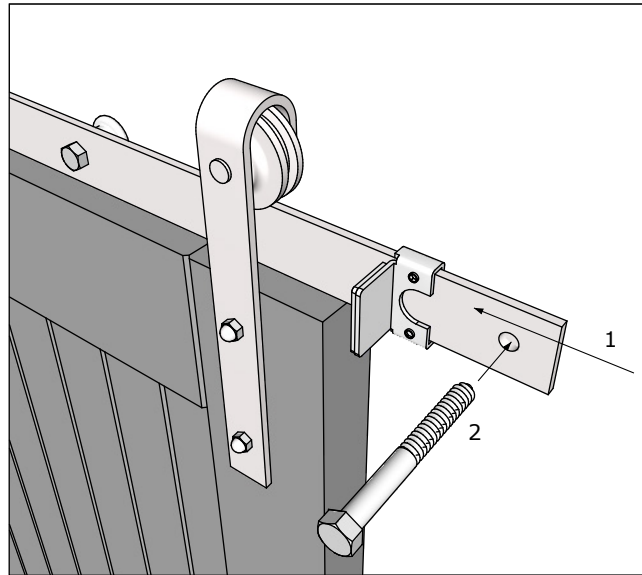
To install:

Loosen alan key set screws, then slide stop onto rail (1).

Attach end of rail with lag bolt (2). Tighten securely.

Determine desired location of stop. Tighten alan screws firmly to fix in place.

Minimum stop offset is 2-1/4"



General Notes:

For use when conventional end stops cannot stop door in desired location.

Allows multiple doors to stop at specific locations along a continuous run of track.

Stop is padded for soft contact.

Adjustable stop cannot be positioned directly over mounting lag bolt heads. In these cases, conventional stops must be used.

REALCRAFT, INC.

9770 44th Ave. NW
Gig Harbor, WA 98332

Tel: (800) 694-5977
Fax: (253) 649-4241

REALCRAFT

This print is the property of RealCraft Inc.
Updated: October 28, 2020