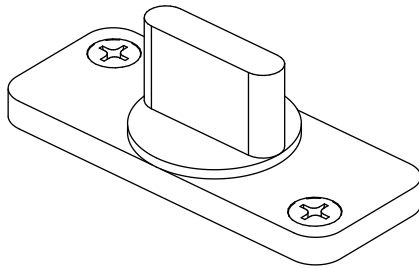
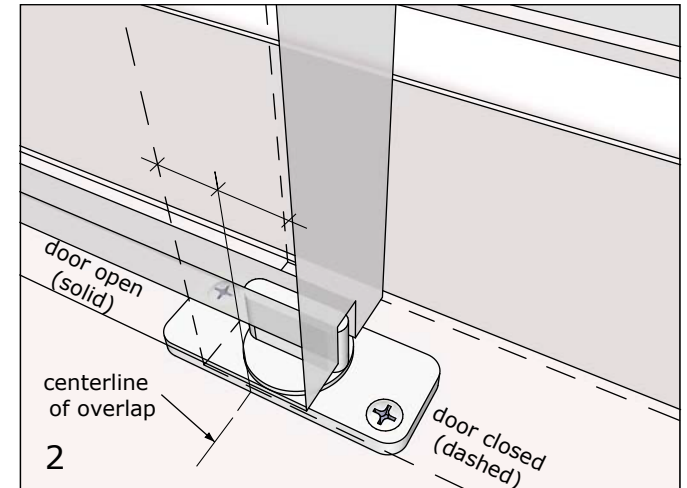
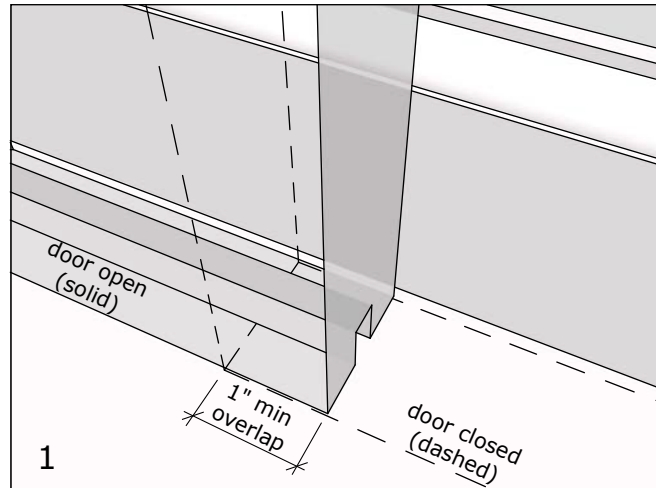


**To install:**

Determine how wide the door 'overlap' will be. The overlap is the distance between the leading edge of the door when fully open, and the trailing edge of the door when fully closed (1).

Mark centerline of overlap and place center of guide on line (2).

Predrill and install on floor so door will hang plumb.

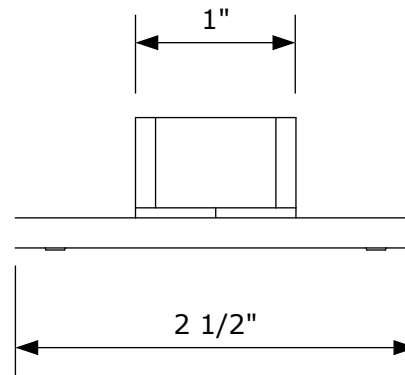


**General Notes:**

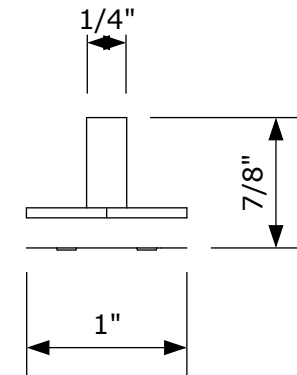
For use in wood doors when a semi-concealed look is desired.

Requires a 5/16"W x 1/2"H continuous slot in bottom of door

Smooth, high strength glide plastic guides door gently and quietly.



FRONT VIEW



SIDE VIEW