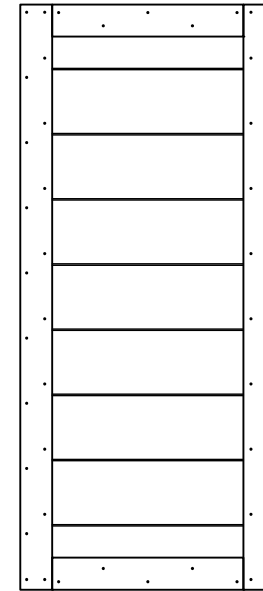


SIDE 1



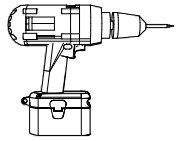
SIDE 2

A - 2
 B - VARIES
 C - VARIES
 D - 2
 E - 2
 F - VARIES

NOTE: ADDITIONAL BRACING INCLUDED WITH DOORS OVER 54" WIDE

<p>A END PLANK</p>	<p>B MID PLANK</p>	<p>C JOINT SPLINE</p>		
<p>D VERTICAL BRACING</p>	<p>E HORIZONTAL BRACING</p>			<p>F #10 x 1-1/4"</p>

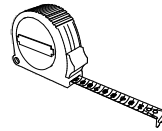
TOOLS NEEDED:



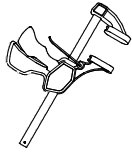
POWER DRILL
(AND 1/8" BIT)



PAINTER'S TAPE



TAPE MEASURE



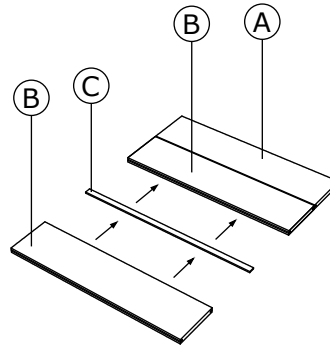
CLAMPS



SLOTTED
SCREWDRIVER



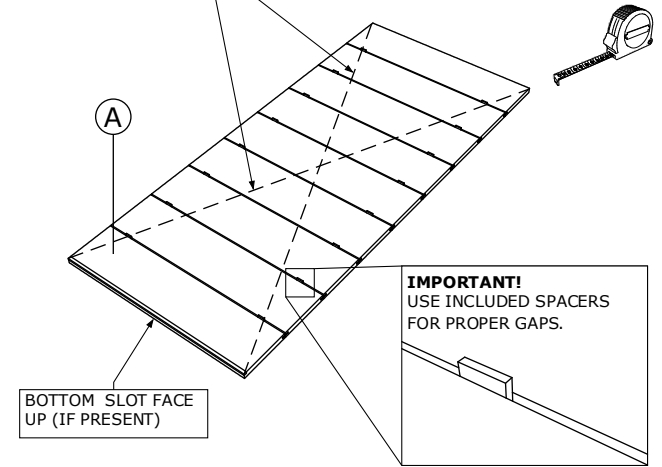
RUBBER Mallet
(OR HAMMER)



1

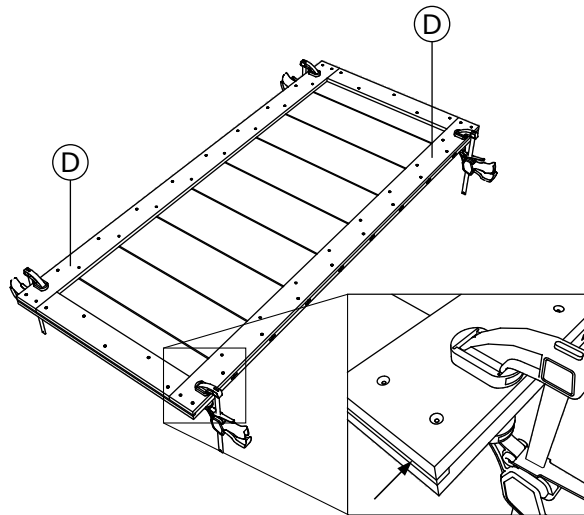
FIT SPLINE (C) SECURELY INTO SLOT IN END PLANK (A). FIT MID PLANK (B) ONTO ASSEMBLY, TAKING CARE TO ALIGN BOARD ENDS. REPEAT.

MEASUREMENTS
MUST BE EQUAL



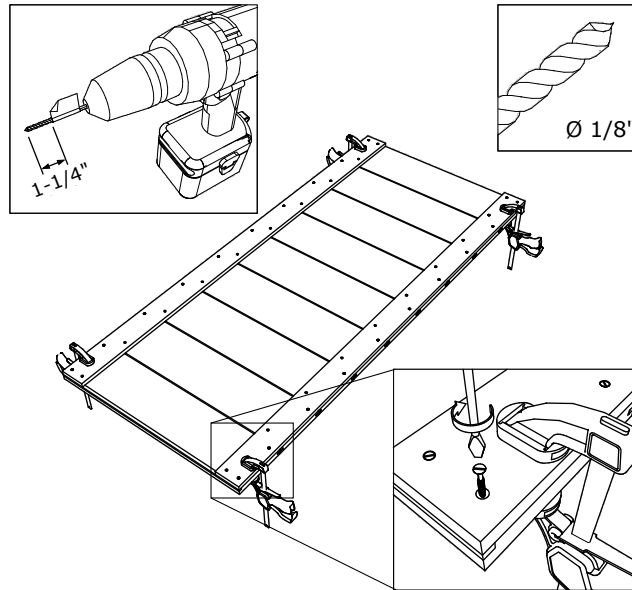
2

CONTINUE FITTING SPLINES AND PLANKS, ENDING WITH FINAL END PLANK (A). CHECK SQUARE BY MEASURING DIAGONALLY. TAP BOARDS GENTLY WITH HAMMER UNTIL MEASUREMENTS ARE EQUAL.



3

ARRANGE ALL FACE BOARDS ON DOOR AS SHOWN. CLAMP SIDE STILES (D) SECURELY TO DOOR. NOTE POSITION OF BOTTOM SLOT (IF PRESENT).



4

WRAP DRILL BIT WITH TAPE AS SHOWN. DRILL PILOT HOLES THROUGH COUNTERSUNK HOLES IN RAILS, STOPPING AT TAPE. AFFIX TOP AND BOTTOM RAILS WITH SCREWS (F). **DO NOT OVERTIGHTEN!!**

5

REPEAT PILOT DRILLING PROCESS WITH TOP AND BOTTOM RAILS (E) AND ATTACH WITH SCREWS. YOUR DOOR IS NOW READY TO INSTALL. HANG WITH ANY SIDE FACING OUT. SLIDING HARDWARE NOT INCLUDED.