


CavitySlider™ Pocket Frame

The **CS Cavity Slider™** is a practical solution for those areas where there is not enough space for a swinging door. Unlike other pocket systems, the CS Cavity Slider™ is structurally robust due to its construction from aluminum extrusions.

This product is supplied as a kitset and is easy to assemble and install. The pocket frame accommodates 1-3/8" and 1-3/4" doors (35mm and 44.5mm) up to 4'0" x 8'0" (1220 x 2438mm) and can be cut down to size on site.

The CS Cavity Slider™ is suitable for residential and commercial projects as it meets Type 1 construction code without any combustible materials. In addition to its space saving attributes in restrooms, hallways and laundries, it can be used with confidence for architectural feature openings around your project.



AVAILABLE WITH:
 SofStop® Soft Close / Soft Open

Bi-Parting CS Cavity Sliders™ with wooden doors.



CS Cavity Sliders™ with glazed aluminum doors and CL100 ADA LaviLock handles.



CS Cavity Slider™ kitset box.

CavitySlider™ Features

Corner joining brackets ensure precise right angled assembly

Smooth running carriages with encased ball bearings. Up to 500lb (240kg) capacity
SofStop® Soft Close/Soft Open also available

Split Jambs and slats use hollow core technology for superior rigidity

Horizontal slats for added strength

Door Thickness 1-3/8" or 1-3/4" (35 or 44.5mm)

Extruded aluminum track incorporated into head unit

Strong aluminum frame complies with *Type 1 Construction*

T-joining brackets for easy assembly of slats to split jambs & back stud

Trim Clips for quick & easy trim fitting

Compatible with 3-1/2" and 3-5/8" wood or steel stud

Bottom plate assembly

Adjustable T-Guide

Patent Pending



Cycle tested 1 million openings



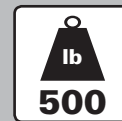
ADA compliant



Available with SofStop®



Single or Bi-Parting units

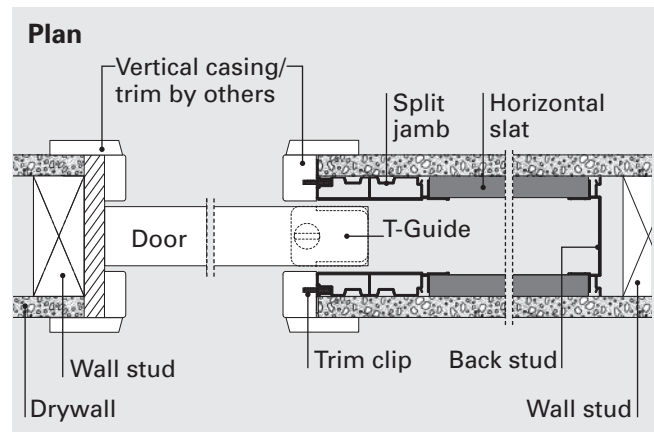
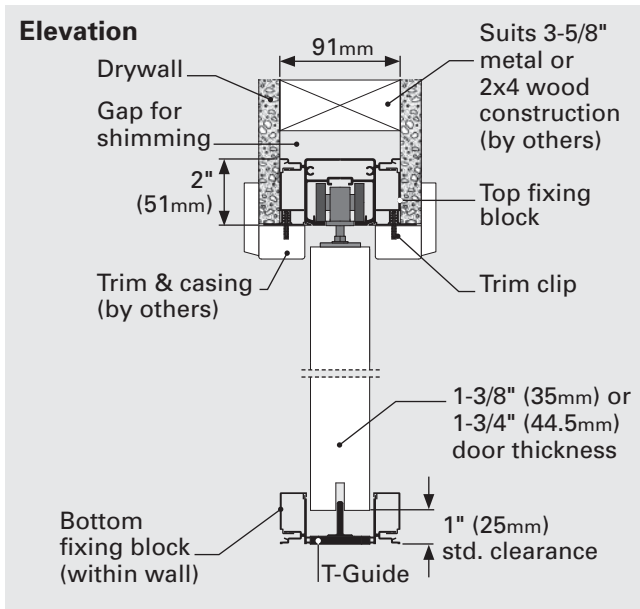


Maximum door weight

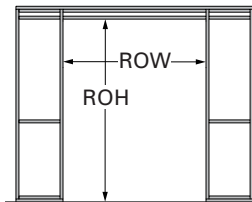


Easy assembly

CavitySlider™ Technical Info



Rough Opening



DH = Door Height
DW = Door Width

Standard CS Track Features

Our engineers focus on constantly developing new products and refining existing ones. That's why our products come with a number of unique features:

- 1 Heavy duty one-piece extruded aluminum track.
- 2 Minimal clearance means the carriages/wheels cannot jump off the track or jam.
- 3 Large diameter wheels with precision ground bearings make for smooth running.
- 4 Radiused track reduces friction and allows dust to be pushed into the gutters so the door always slides smoothly.
- 5 M8 body made from cast stainless steel for strength and reliability. 4-wheel carriages are standard on all doors over 200lb.
- 6 **CarriSnap™** quick release system allows the door to be removed easily from the track; no need to unscrew anything and lose door height adjustment.



How to Order

1. Choose Size

Frames can be cut down on site. Maximum size for each model shown below:

Model	Max Door Size (in)	Max Door Size (mm)
CS 3068	3'0" x 6'8"	914 x 2032mm
CS 3080	3'0" x 8'0"	1066 x 2438mm
CS 4080	4'0" x 8'0"	1219 x 2438mm

2. **Choose a carriage pack** (one per door) (includes carriages, mounting plates, T-Guide, fixing screws and adjusting wrench)
Packs are available with 0, 1 or 2 track stops.

Standard	M6 (200lb/90kg)	
	M8 (500lb/240kg)	
SofStop® Single Soft Close	Minimum Door Width	
	No stop	1 Stop
0 - 176 lb (80kg)	25" (635mm)	28" (711mm)
176 - 264 lb (120kg)	28" (711mm)	31" (787mm)
SofStop® Twin	Minimum Door Width	
	No stop	1 Stop
0 - 176 lb (80kg)	33" (840mm)	36" (914mm)

© All copyright and other property in this document is reserved by Cavity Sliders USA Inc. Details and specifications are subject to change without notice. Whilst all care is taken to ensure the accuracy of all information, no responsibility will be accepted for any errors or omissions. CS Cavity Slider. 61213 - 07.2019

www.cavitysliders.com

High quality frames made in USA



T (888) 466 0030
F (310) 769 5824
E info@cavitysliders.com

Cavity Sliders USA Inc.

548 Finney Ct
Gardena
CA 90248

Another quality product from:

CavitySliders™
The Pocket Door Experts