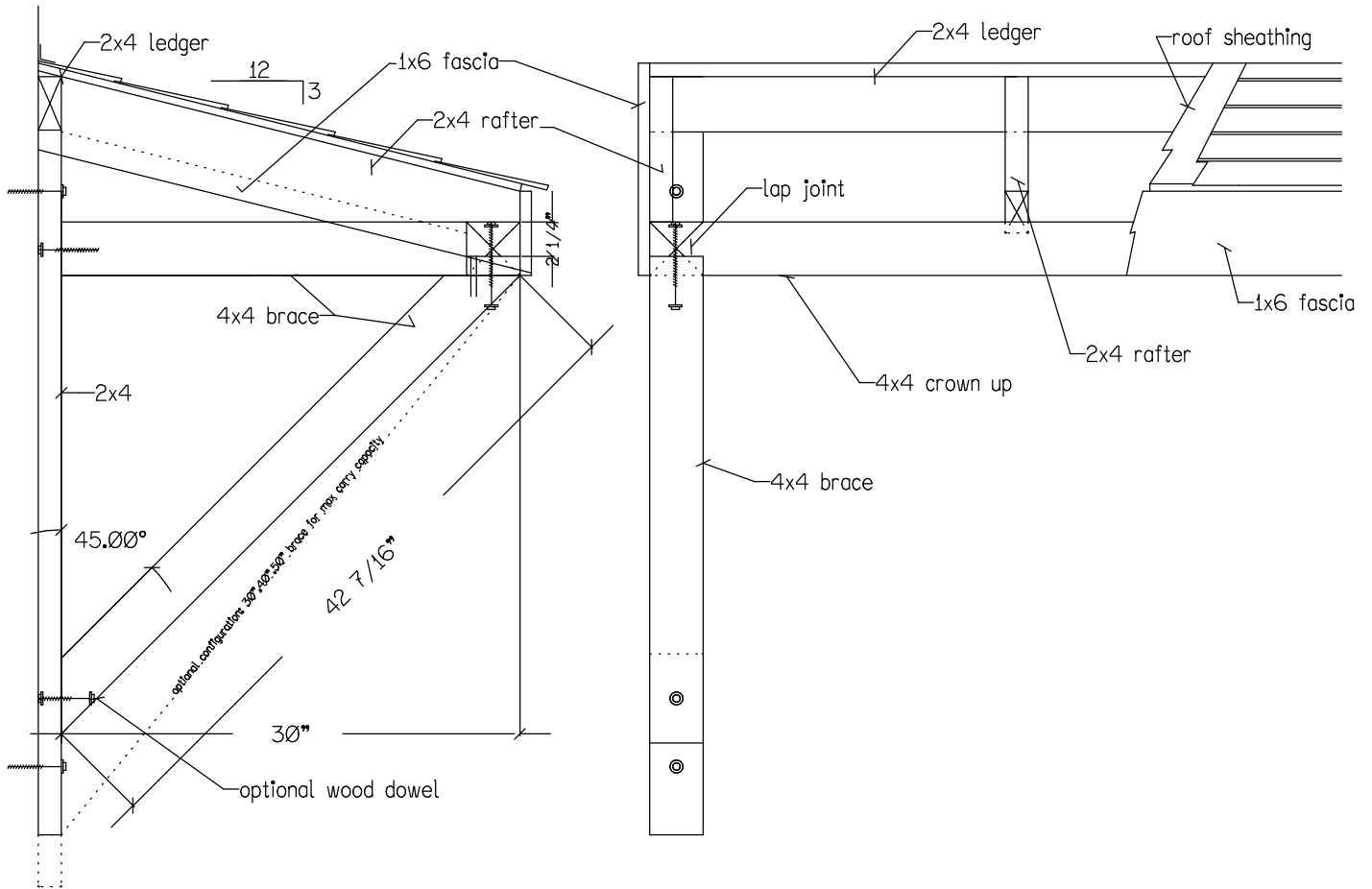


CARRIAGE DOOR PROTECTION ROOF PLAN

TYPICAL SLOPE EYEBROW ROOF



FLAT GLASS PANELS, slightly sloped

