

GENERAL NOTES:

ACTUAL TRACK LENGTHS ARE 1" LESS THAN 2X THE NOMINAL DOOR WIDTH (i.e., A 36" WIDE DOOR WOULD HAVE A 71" TRACK).

TRACK STANDOFFS ARE AVAILABLE FOR DOORS UP TO 2-1/4" THICK.

DOORS MORE THAN 1" OVER TYPICAL SIZES (i.e. 37" ON A NOMINAL 6" TRACK) REQUIRE THE TYPICAL HANGER OFFSET BE ALTERED. SEE INSTALLATION CUT SHEET FOR MORE INFORMATION.

IF YOUR DOOR IS A CUSTOM SIZE (i.e. 40"), YOU WILL HAVE TO REPOSITION ONE END STOP, DRILL ONE HOLE AT DESIRED LOCATION AND USE HEX BOLT TO FASTEN (NOT INCLUDED). YOU MAY ALSO USE ADJUSTABLE END STOPS (OPTIONAL ACCESSORY) OR REQUEST A CUSTOM FABRICATION.

FOR BI-PARTING DOORS, BUTT THE TRACK OF EACH KIT END TO END TIGHTLY. JOINING TRACKS IS NOT NECESSARY.

REALCRAFT

9656 Bujacich Rd NW
Bldg E, Ste A, Gig Harbor
Washington - 98332

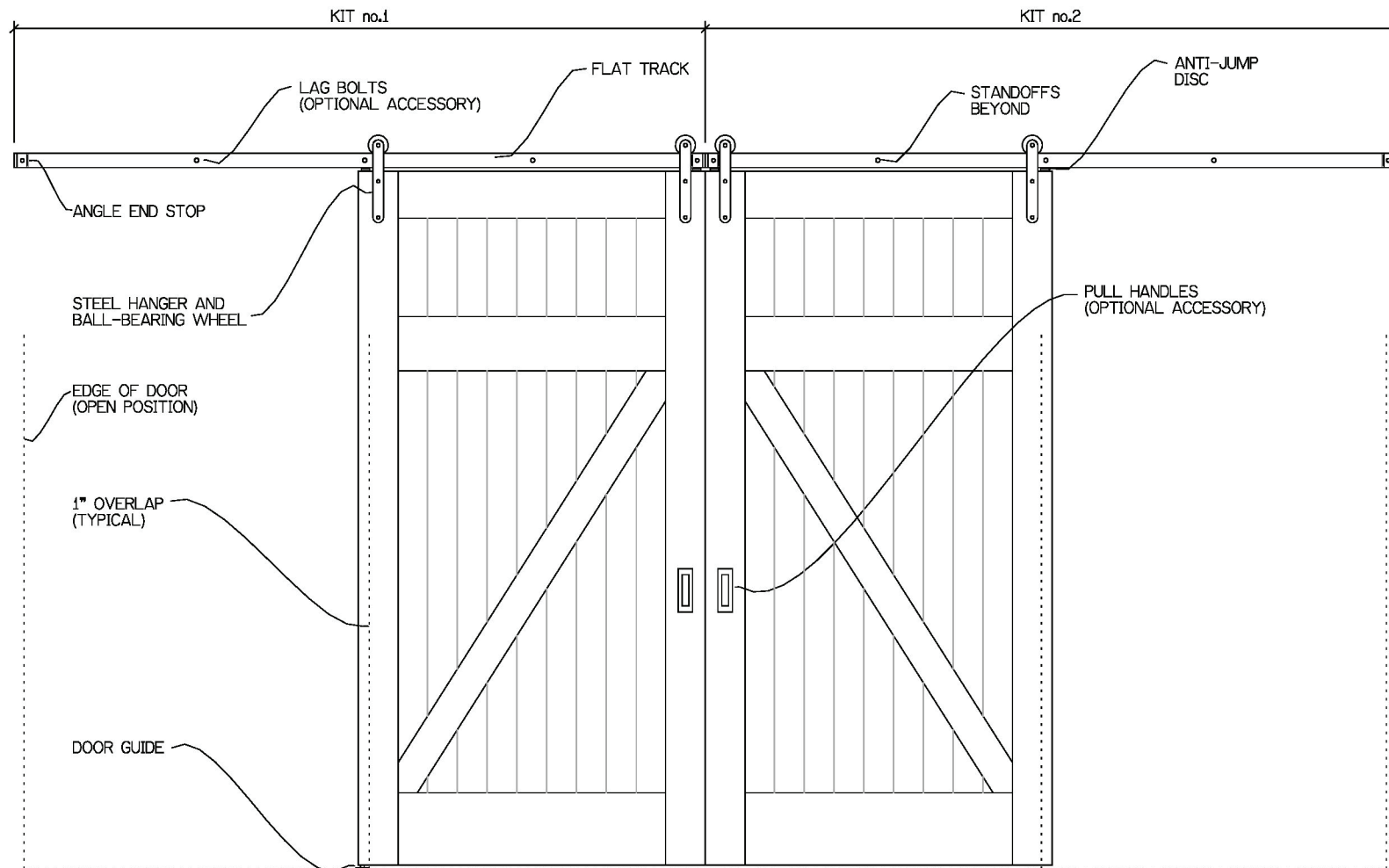
PROP FLAT TRACK - SINGLE DOOR OVERVIEW

DESCRIPTION/NOTES:

THIS PRINT IS THE PROPERTY OF REAL CARRIAGE DOOR COMPANY, INC. AND IS LOANED TO THE RECIPIENT SUBJECT TO RETURN UPON DEMAND. ALL CONTENTS HEREIN ARE CONFIDENTIAL AND MUST NOT BE COPIED OR SUBMITTED TO OUTSIDE PARTIES FOR EXAMINATION WITHOUT THE EXPRESS WRITTEN CONSENT OF REAL CARRIAGE DOOR COMPANY, INC.

DRWG NO:

DATE:



GENERAL NOTES:

ACTUAL TRACK LENGTHS ARE 1" LESS THAN 2X THE NOMINAL DOOR WIDTH (i.e., A 36" WIDE DOOR WOULD HAVE A 71" TRACK).

TRACK STANDOFFS ARE AVAILABLE FOR DOORS UP TO 2-1/4" THICK.

DOORS MORE THAN 1" OVER TYPICAL SIZES (i.e. 37" ON A NOMINAL 6" TRACK) REQUIRE THE TYPICAL HANGER OFFSET BE ALTERED. SEE INSTALLATION CUT SHEET FOR MORE INFORMATION.

IF YOUR DOOR IS A CUSTOM SIZE (i.e. 40"), YOU WILL HAVE TO REPOSITION ONE END STOP. DRILL ONE HOLE AT DESIRED LOCATION AND USE HEX BOLT TO FASTEN (NOT INCLUDED). YOU MAY ALSO USE ADJUSTABLE END STOPS (OPTIONAL ACCESSORY) OR REQUEST A CUSTOM FABRICATION.

FOR BI-PARTING DOORS, BUTT THE TRACK OF EACH KIT END TO END TIGHTLY. JOINING TRACKS IS NOT NECESSARY.

REALCRAFT

9656 Bujacich Rd NW
Bldg E, Ste A, Gig Harbor
Washington - 98332

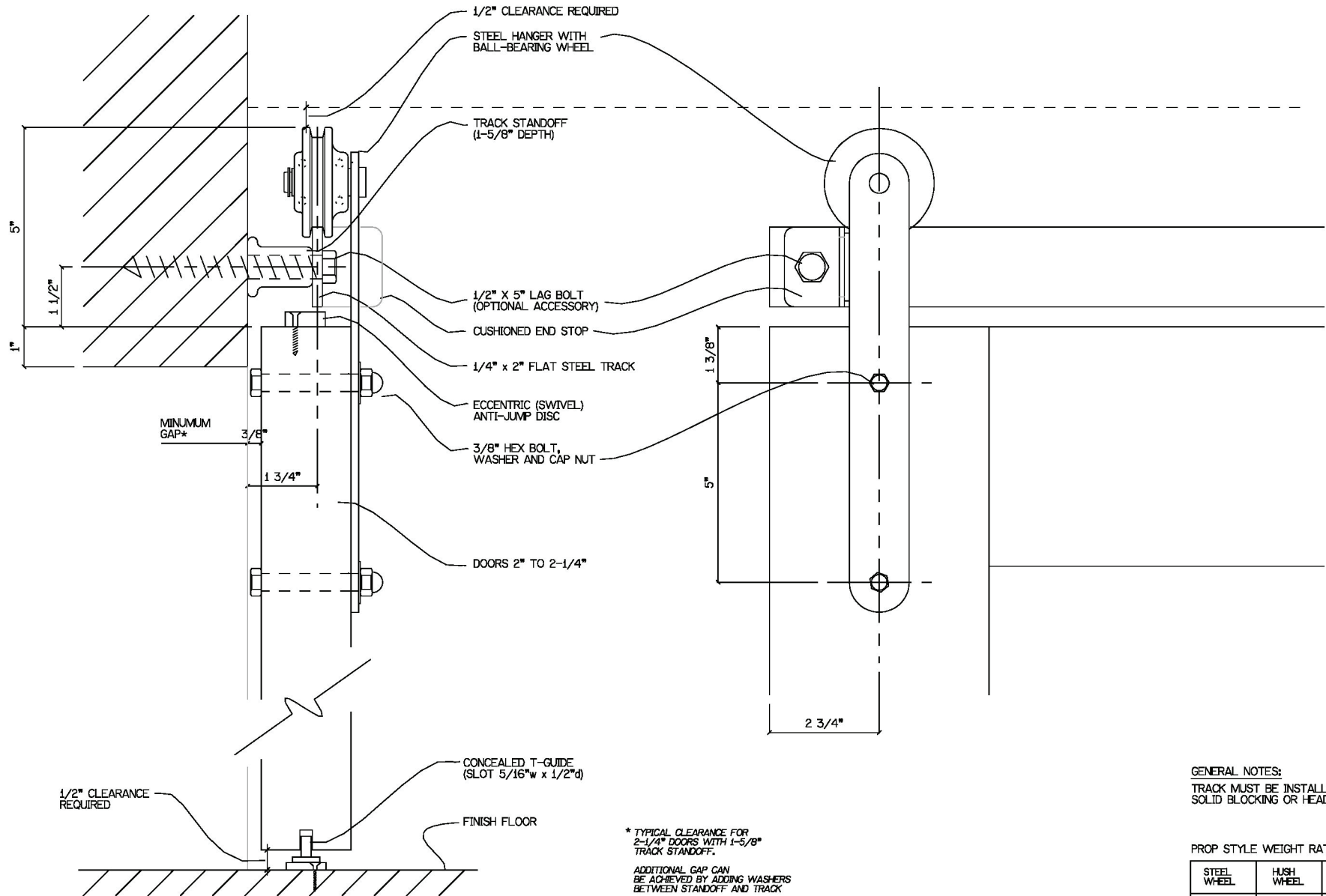
PROP FLAT TRACK - BI-PARTING DOORS OVERVIEW

DESCRIPTION/NOTES:

THIS PRINT IS THE PROPERTY OF REAL CARRIAGE DOOR COMPANY, INC. AND IS LOANED TO THE RECIPIENT SUBJECT TO RETURN UPON DEMAND. ALL CONTENTS HEREIN ARE CONFIDENTIAL AND MUST NOT BE COPIED OR SUBMITTED TO OUTSIDE PARTIES FOR EXAMINATION WITHOUT THE EXPRESS WRITTEN CONSENT OF REAL CARRIAGE DOOR COMPANY, INC.

DRWG NO:

DATE:



GENERAL NOTES:
 TRACK MUST BE INSTALLED INTO SOLID BLOCKING OR HEAD CASING.

PROP STYLE WEIGHT RATINGS**

STEEL WHEEL	HUSH WHEEL	WOOD WHEEL
2000 LBS	2000 LBS	800 LBS

**RATING PER PAIR OF HANGERS

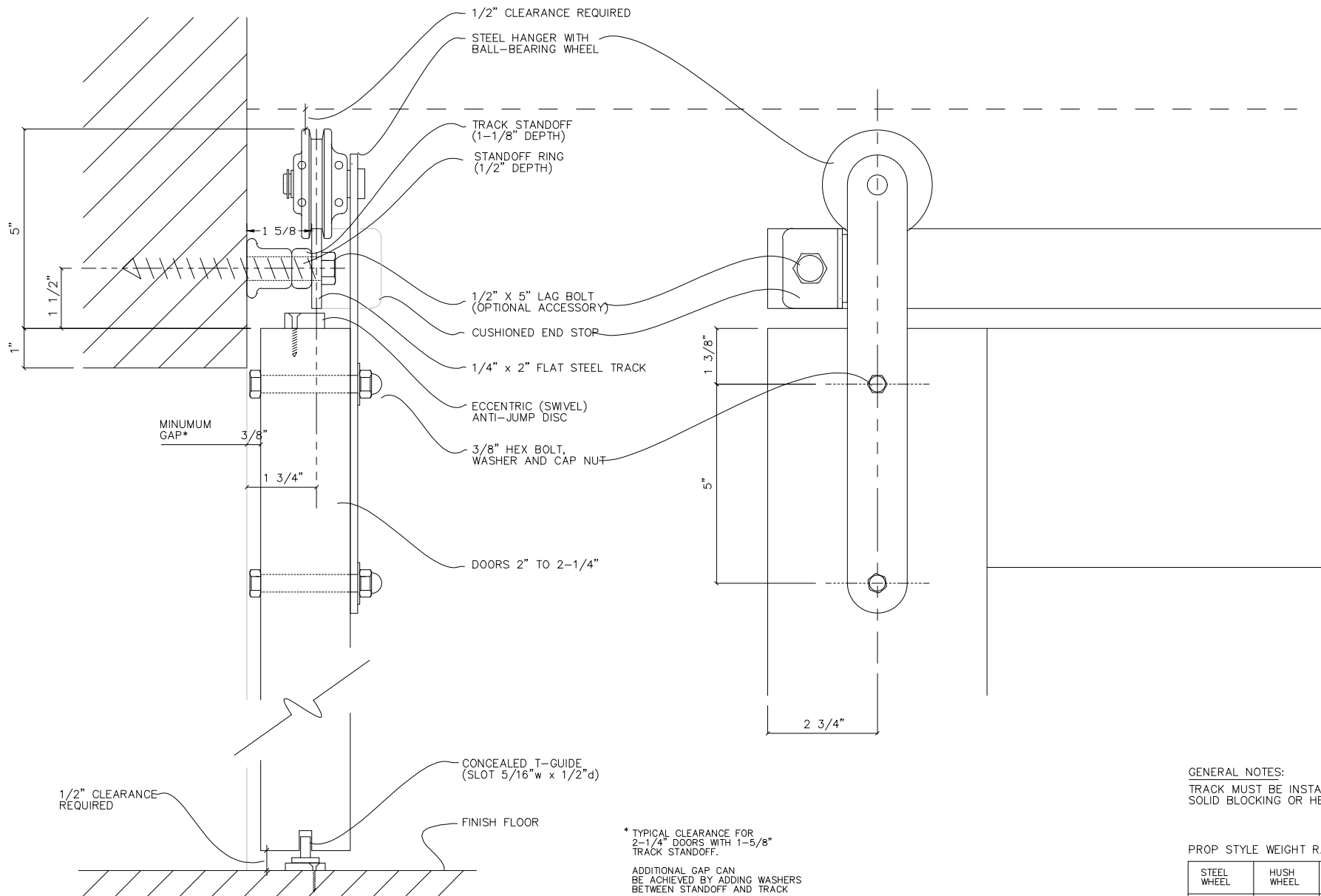
* TYPICAL CLEARANCE FOR 2-1/4" DOORS WITH 1-5/8" TRACK STANDOFF.
 ADDITIONAL GAP CAN BE ACHIEVED BY ADDING WASHERS BETWEEN STANDOFF AND TRACK

REAL/CRAFT
 9656 Bujacich Rd NW
 Bldg E, Ste A, Gig Harbor
 Washington - 98332

PROP FLAT TRACK - DOORS UP TO 1-3/4"
 DESCRIPTION/NOTES: **SECTION AND ELEVATION VIEWS**

THIS PRINT IS THE PROPERTY OF REAL CARRIAGE DOOR COMPANY, INC. AND IS LOANED TO THE RECIPIENT SUBJECT TO RETURN UPON DEMAND. ALL CONTENTS HEREIN ARE CONFIDENTIAL AND MUST NOT BE COPIED OR SUBMITTED TO OUTSIDE PARTIES FOR EXAMINATION WITHOUT THE EXPRESS WRITTEN CONSENT OF REAL CARRIAGE DOOR COMPANY, INC.

DRWG NO:
 DATE:



GENERAL NOTES:
 TRACK MUST BE INSTALLED INTO SOLID BLOCKING OR HEAD CASING.

PROP STYLE WEIGHT RATINGS**

STEEL WHEEL	HUSH WHEEL	WOOD WHEEL
200 LBS	200 LBS	80 LBS

**RATING PER PAIR OF HANGERS

* TYPICAL CLEARANCE FOR 2-1/4" DOORS WITH 1-5/8" TRACK STANDOFF.
 ADDITIONAL GAP CAN BE ACHIEVED BY ADDING WASHERS BETWEEN STANDOFF AND TRACK

REALCRAFT
 9656 Bujacich Rd NW
 Bldg E, Ste A, Gig Harbor
 Washington - 98332

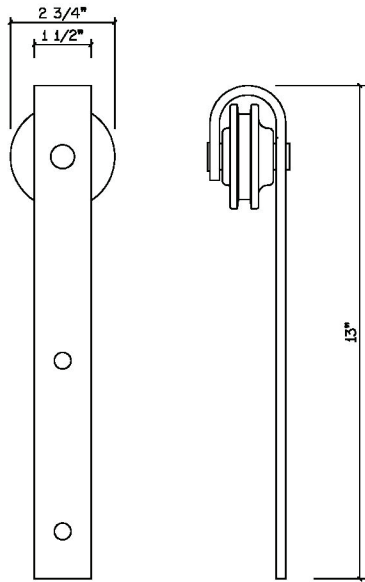
PROP FLAT TRACK (DOORS 2" TO 2-1/4")

DESCRIPTION/NOTES:
 SECTION AND ELEVATION VIEWS

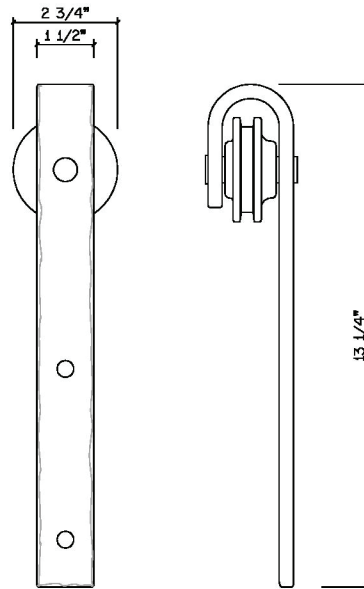
THIS PRINT IS THE PROPERTY OF REAL CARRIAGE DOOR COMPANY, INC. AND IS LOANED TO THE RECIPIENT SUBJECT TO RETURN UPON DEMAND. ALL CONTENTS HEREIN ARE CONFIDENTIAL AND MUST NOT BE COPIED OR SUBMITTED TO OUTSIDE PARTIES FOR EXAMINATION WITHOUT THE EXPRESS WRITTEN CONSENT OF REAL CARRIAGE DOOR COMPANY, INC.

DRWG NO:

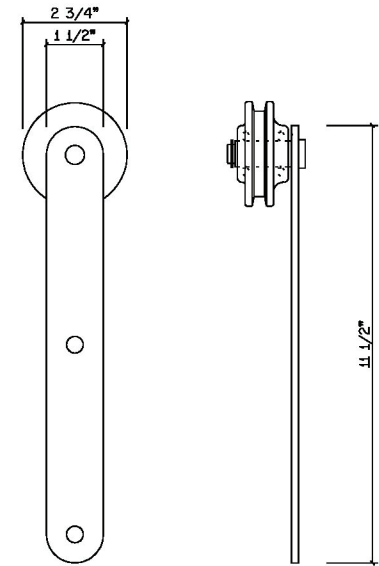
DATE:



CLASSIC STYLE
HANGER

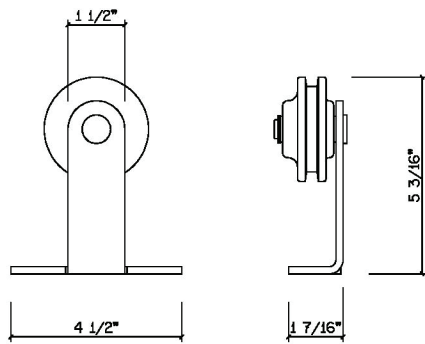


HAMMERED STYLE
HANGER

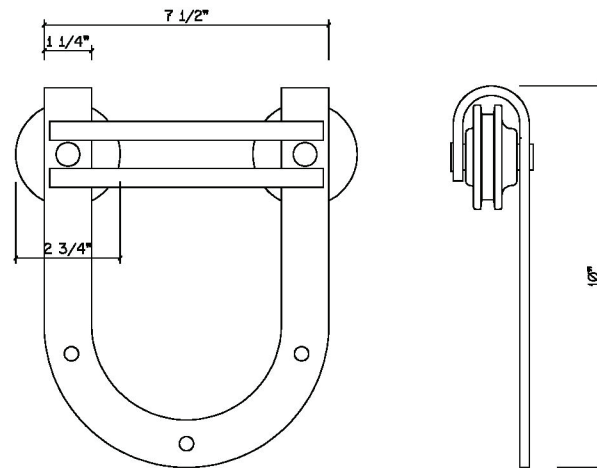


PROP STYLE
HANGER

NOTE:
HAMMERED HANGERS
ARE HAND-FORGED
AND DIMENSIONS MAY
VARY SLIGHTLY



AERO STYLE
HANGER



HORSESHOE STYLE
HANGER

REALCRAFT

9656 Bujacich Rd NW
Bldg E, Ste A, Gig Harbor
Washington - 98332

FLAT TRACK STANDARD LENGTHS

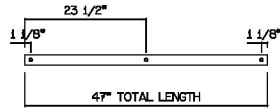
DESCRIPTION/NOTES:

THIS PRINT IS THE PROPERTY OF REAL CARRIAGE DOOR COMPANY, INC. AND IS LOANED TO THE RECIPIENT SUBJECT TO RETURN UPON DEMAND. ALL CONTENTS HEREIN ARE CONFIDENTIAL AND MUST NOT BE COPIED OR SUBMITTED TO OUTSIDE PARTIES FOR EXAMINATION WITHOUT THE EXPRESS WRITTEN CONSENT OF REAL CARRIAGE DOOR COMPANY, INC.

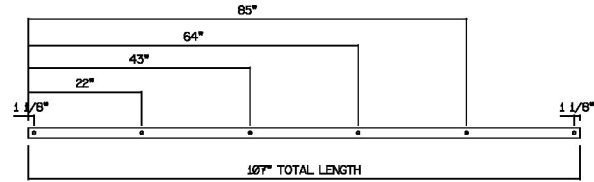
DRWG NO:

DATE:

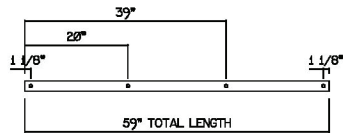
SF-04



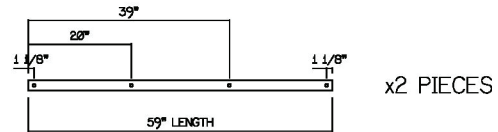
SF-09



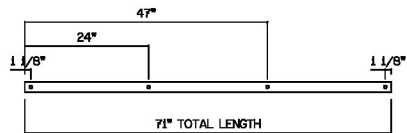
SF-05



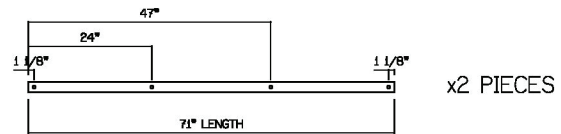
SF-10-2PC



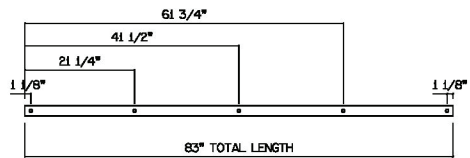
SF-06



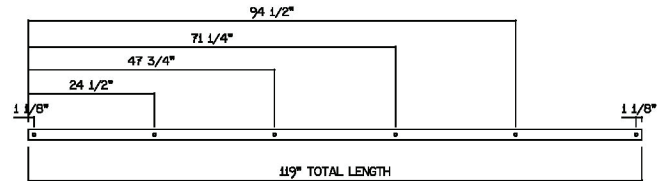
SF-12-2PC



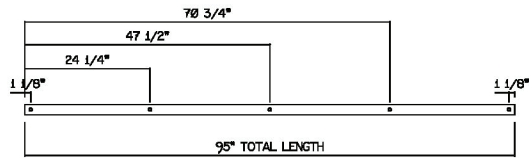
SF-07



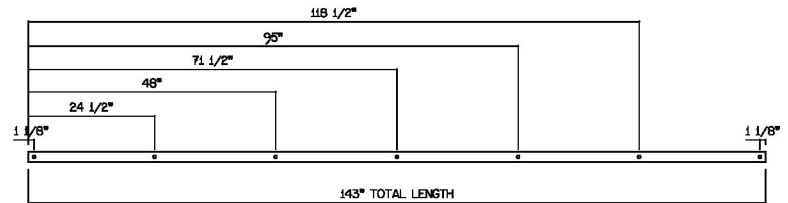
SF-10*



SF-08



SF-12*



*THESE ITEMS ARE TOO LONG FOR FEDEX AND MUST SHIP FREIGHT

REALCRAFT
 9656 Bujacich Rd NW
 Bldg E, Ste A, Gig Harbor
 Washington - 98332

FLAT TRACK STANDARD LENGTHS

(CLASSIC, HORSESHOE, HAMMERED,
 PROP, AND AERO STYLE)

DESCRIPTION/NOTES:

HOLE PATTERNS ARE EVENLY SPACED 24" ON CENTER OR LESS. STANDARD TRACK LENGTHS SHOWN. CUSTOM LENGTHS AVAILABLE.
 NOTE: HOLE MEASUREMENTS ARE FOR GENERAL INFO ONLY AND NOT INTENDED FOR USE AS A DRILLING TEMPLATE.

THIS PRINT IS THE PROPERTY OF REAL CARRIAGE DOOR COMPANY, INC. AND IS LOANED TO THE RECIPIENT SUBJECT TO RETURN UPON DEMAND. ALL CONTENTS HEREIN ARE CONFIDENTIAL AND MUST NOT BE COPIED OR SUBMITTED TO OUTSIDE PARTIES FOR EXAMINATION WITHOUT THE EXPRESS WRITTEN CONSENT OF REAL CARRIAGE DOOR COMPANY, INC.

DRWG NO:

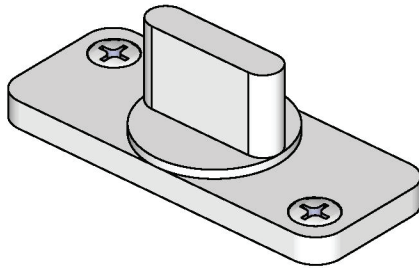
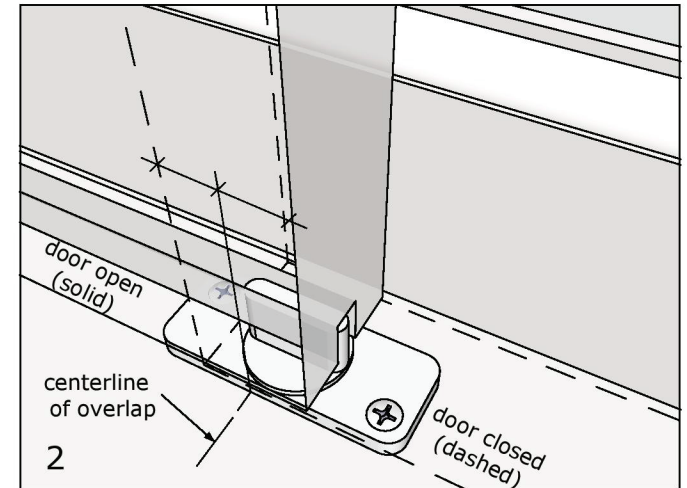
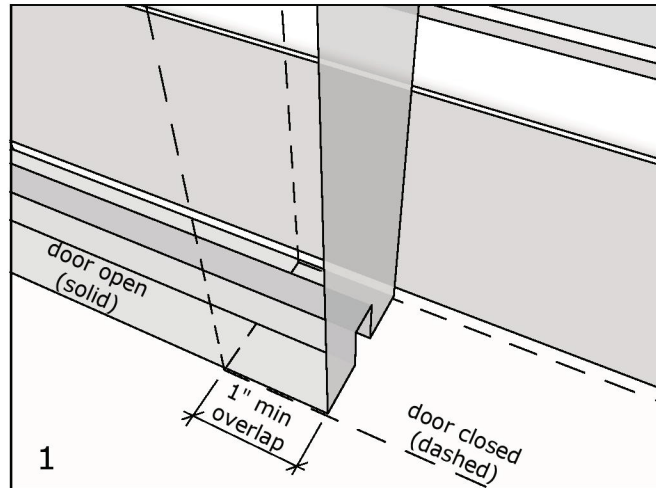
DATE:

To install:

Determine how wide the door 'overlap' will be. The overlap is the distance between the leading edge of the door when fully open, and the trailing edge of the door when fully closed (1).

Mark centerline of overlap and place center of guide on line (2).

Predrill and install on floor so door will hang plumb.

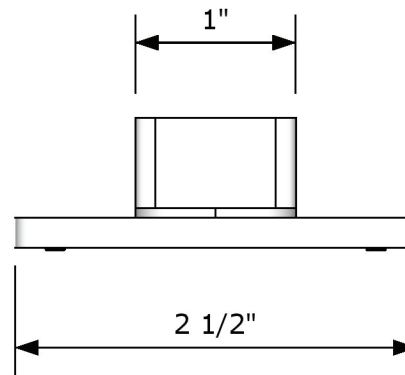


General Notes:

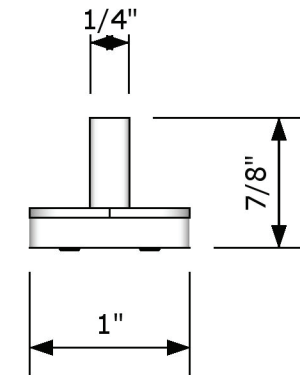
For use in wood doors when a semi-concealed look is desired.

Requires a 5/16"W x 1/2"H continuous slot in bottom of door

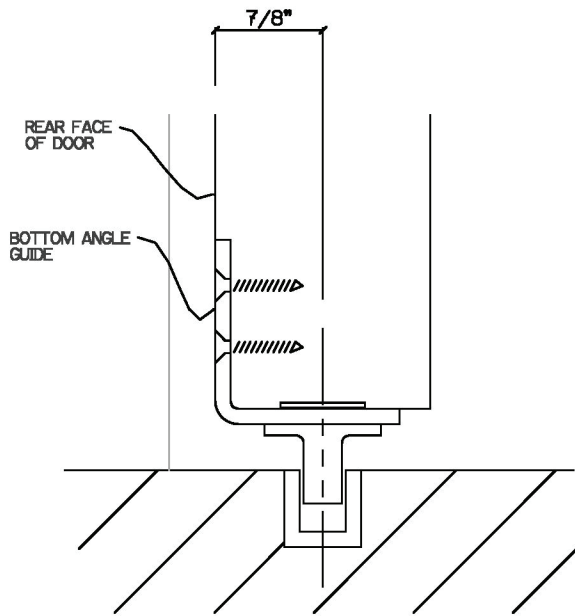
Smooth, high strength glide plastic guides door gently and quietly.



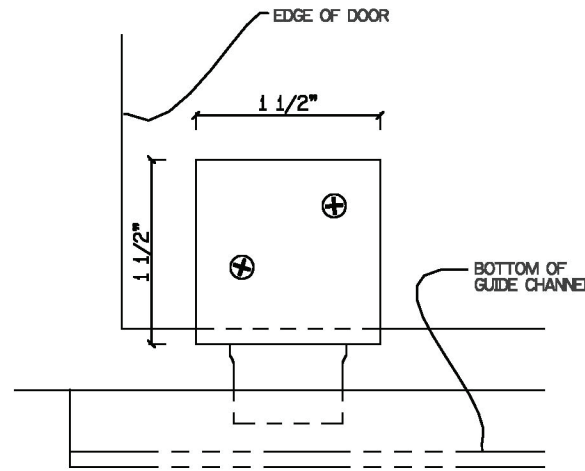
FRONT VIEW



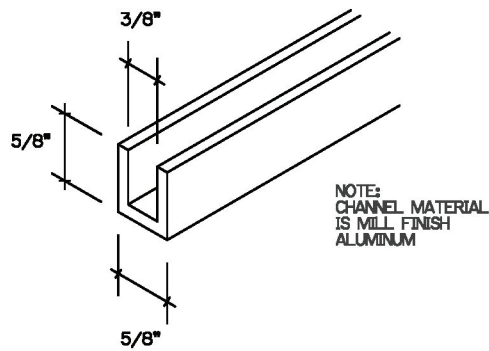
SIDE VIEW



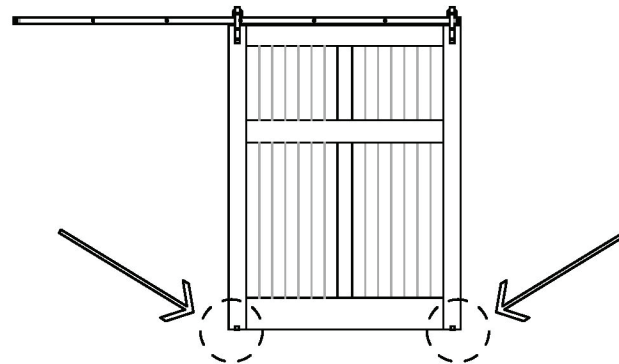
SECTION VIEW



REAR VIEW



CHANNEL DIMENSIONS



GUIDE LOCATIONS

GENERAL NOTES:

GUIDES DOOR AT FLOOR AND KEEPS DOOR FROM SWINGING IN AND OUT

INSTALL GUIDE TO REAR OF DOOR AFTER DOOR IS HUNG. DOOR SHOULD HANG PLUMB TO WALL.

CHANNEL MAY BE SCREWED TO SLOT IN A WOOD FLOOR OR SET IN CONCRETE. CHANNEL MUST BE COATED WITH A BITUMINOUS OR ASPHALT-BASED PAINT PRIOR TO CONCRETE EMBEDMENT

USE FOR ADDED EXTERIOR DOOR SECURITY / RIGIDITY

REALCRAFT
 9656 Bujacich Rd NW
 Bldg E, Ste A, Gig Harbor
 Washington - 98332

3/8" CHANNEL SYSTEM AND ANGLE GUIDE

DESCRIPTION/NOTES:

THIS PRINT IS THE PROPERTY OF REAL CARRIAGE DOOR COMPANY, INC. AND IS LOANED TO THE RECIPIENT SUBJECT TO RETURN UPON DEMAND. ALL CONTENTS HEREIN ARE CONFIDENTIAL AND MUST NOT BE COPIED OR SUBMITTED TO OUTSIDE PARTIES FOR EXAMINATION WITHOUT THE EXPRESS WRITTEN CONSENT OF REAL CARRIAGE DOOR COMPANY, INC.

DRWG NO:

DATE: