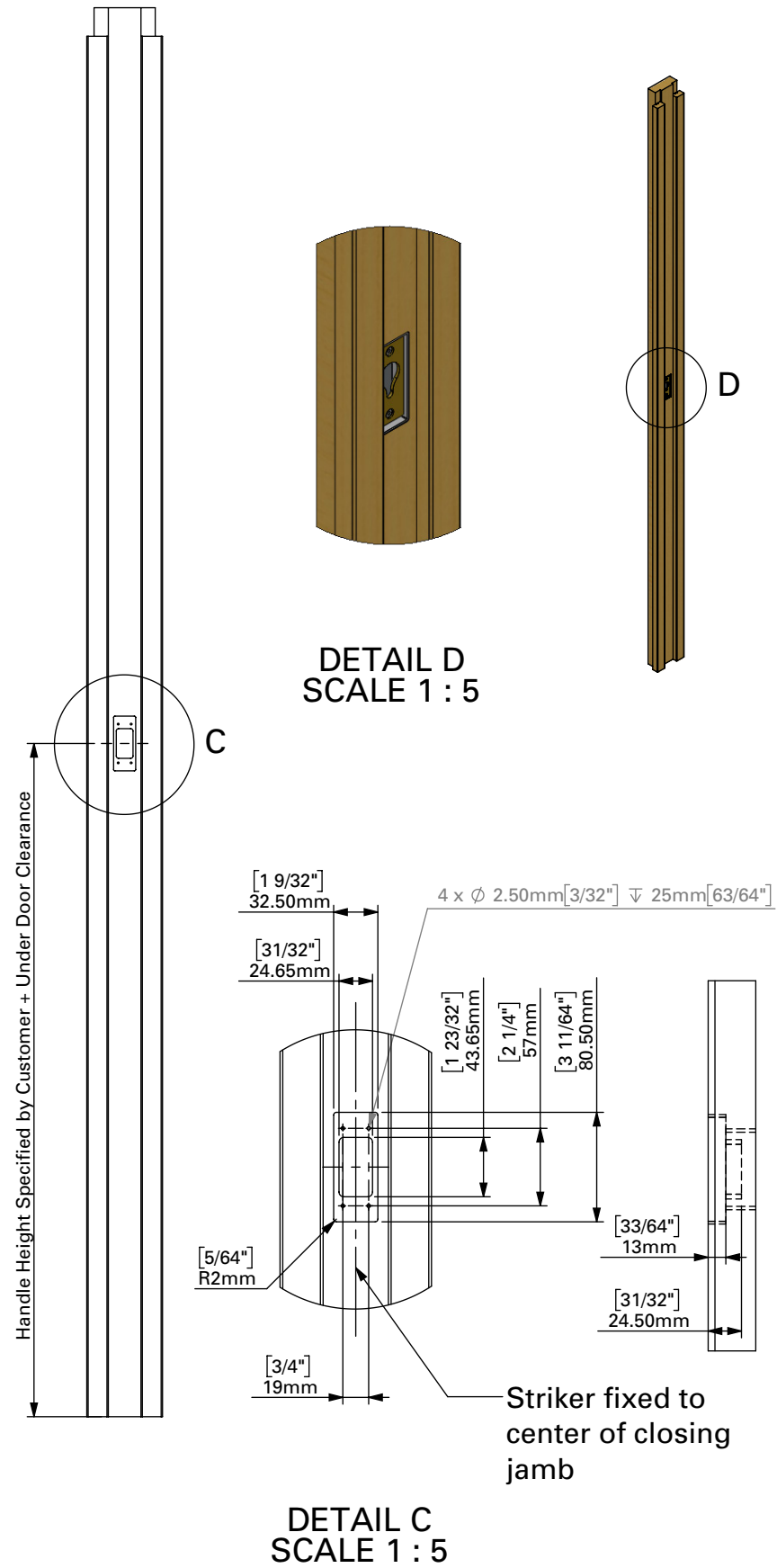
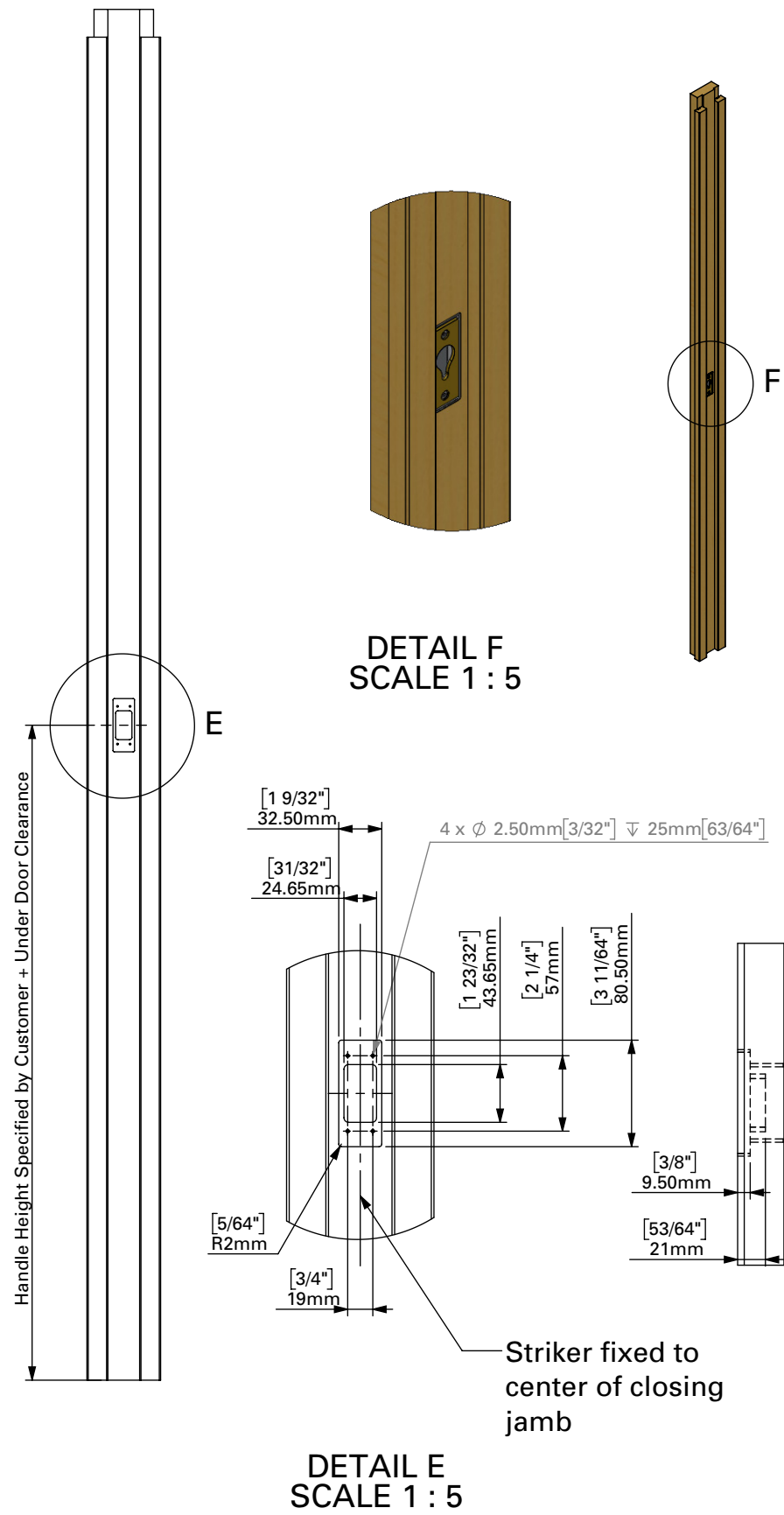


# CL400 Recessed Striker Machining Detail



# CL400 Flush Striker Machining Detail



# CL400 Handle Machining Detail

