

# CL100 ADA Lever

The CaviLock® CL100 ADA Lever is a disabled access lockset designed with ease of use and longevity of service in mind. Brass and stainless steel working components ensure reliability.

The privacy turn has been designed in accordance with ADA Accessibility Guidelines for Buildings and Facilities and **is easily operable without pinching, grasping or twisting of the wrist.**

The vertical lever grip enables a positive pull action on even the heaviest doors.



ADA



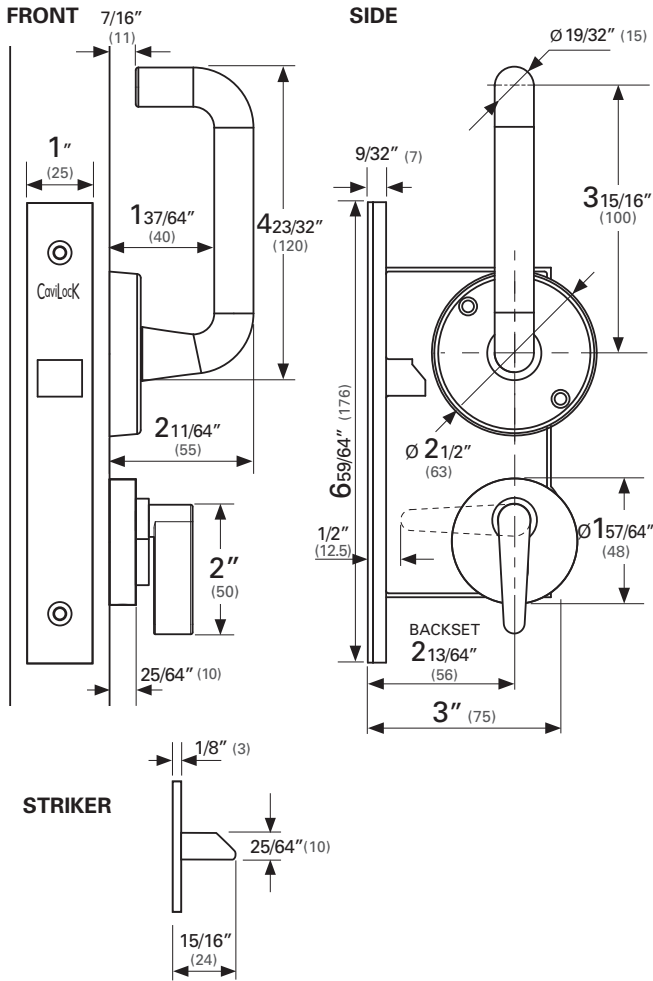
*CaviLock CL100 ADA Lever fitted to aluminum door.*



*CaviLock CL100 ADA Lever on timber door.*

 **CaviLock®**  
Quality Sliding Door Hardware

## Dimensions



In line with ADA Standards for Accessible Design, the CL100 ADA Lever handle is easy to grasp with one hand and does not require tight grasping, tight pinching or twisting of the wrist. The opening force required to operate the unit is less than 5lbf (22.2N), which is under the threshold for ADA compliance.

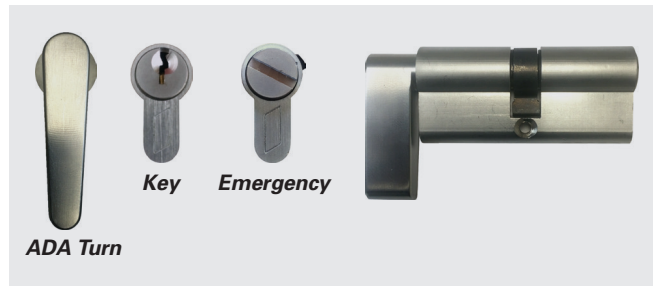
**IMPORTANT:** Operable parts of hardware must be mounted 34" (865mm) min. and 48" (1220 mm) max. above finished floor to meet ADA guidelines. The clear width of the door opening must be a minimum of 32". Always check State and Federal guidelines relating to the specific project.



CaviLock CL100 ADA Lever Turn/Key option

## Key Locking

The CL100 ADA Lever includes a Euro Profile cylinder with American Schlage C Keyway, specified as either KA (Keyed Alike) or KD (Keyed to Differ). It is most suitable for 1-3/4" thick doors.

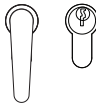
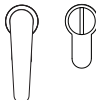


## Construction

Case:	Die cast Zinc
Internal Parts:	Bronze/Brass
Screws, springs etc:	Stainless Steel
Faceplate & striker:	Brushed Stainless Steel

## Finish Options & Configurations

Available in Satin Chrome. Cylinders are not handed.

CL100A7018	Lever - ADA Turn / Key	
CL100A7020	Lever - ADA Turn / Emergency	

Drawings & pictures are not to scale. All dimensions in inches (and mm).

## CL100 Mortise Lock Features

The CL100 Mortise Lock is a versatile mortise that has many different internal and external hardware options.



- ▀ Suitable for pocket doors and surface sliding doors
- ▀ Easy to operate
- ▀ Corrosion resistant
- ▀ For use with timber or aluminum doors