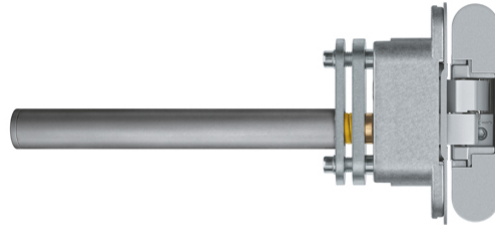


AN 108 3D SC45

with integrated closing and damping function
for residential doors up to 45 kg



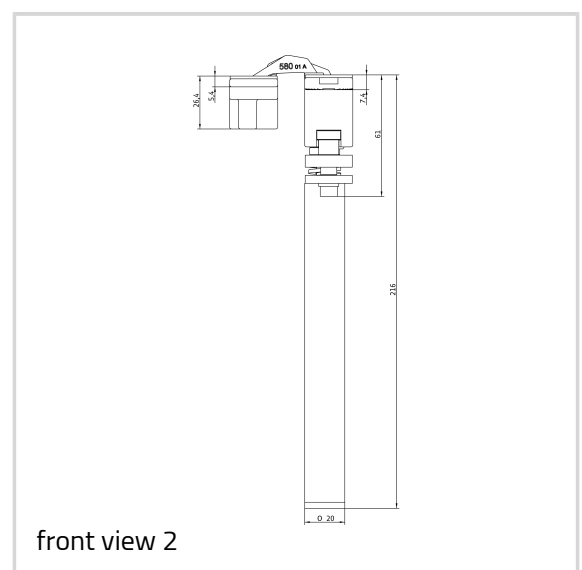
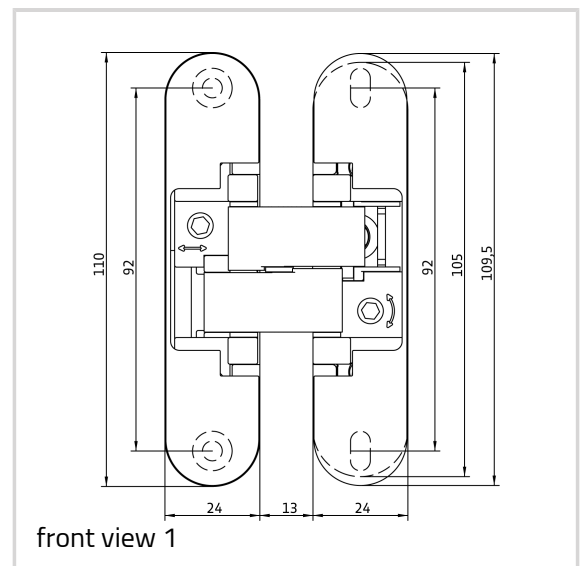
Product features

- self closing hinge system with integrated damping function
- closing power up to 45 kg
- completely concealed hinge system
- for timber and aluminium frames
- for unrebated residential doors
- 3D adjustable (side +/- 1,5 mm, height +/- 2,5 mm, compression +/- 1,0 mm)
- material zamak

Technical details

Attributes	Value
Overall length	110,0 mm
Width (door part)	24,0 mm
Width (frame part)	24,0 mm
Cutter diameter	16,0 mm
Collar ring diameter	27,0 mm
Opening angle	180°

Note



ANSELMi - AN 108 3D SC45

The closing power mentioned above refers to the use of one self closing hinge per door leaf (900 x 2100 mm).

Finishes shown on the model version AN 160 3D. Deviations possible with this model version.

The self closing hinge has to be used only in combination with the given hinges and has to be installed at half the height of the door leaf, approximately at the same height of the lock (magnetic lock recommended).

The installation on doors subject to specific norms has to be verified by the customer according to the national law.

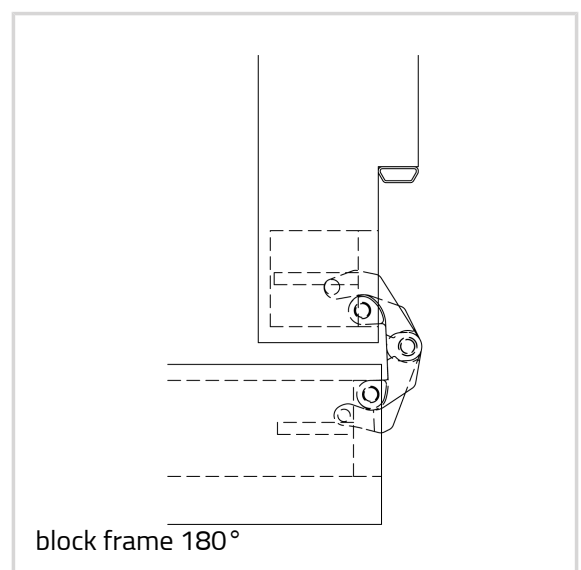
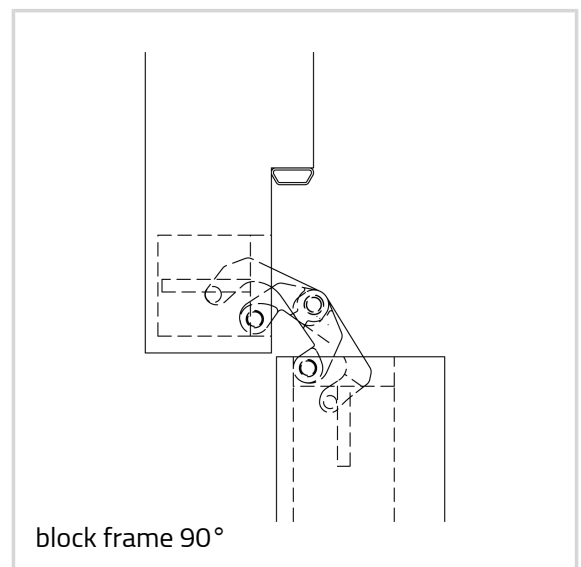
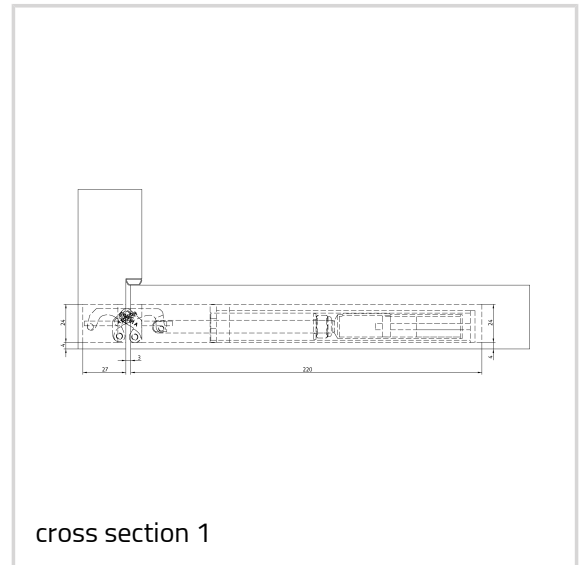
Alternatively, the routing can be carried out with a cutter diameter of 14,0 mm and a collar ring diameter of 25,0 mm.

Combinations

AN 140 3D
AN 160 3D
AN 140 3D FZ

Item

Finish(es)	Satin Chrome (AN 014)
OF-NR.	AN 014
VPE	pack of 1
DIN	DIN right and left hand
EAN	8054608700277
Finish(es)	Black (AN 018)
OF-NR.	AN 018
VPE	pack of 1
DIN	DIN right and left hand
EAN	8054608700284
Finish(es)	Antique Bronze (AN 035)
OF-NR.	AN 035
VPE	pack of 1
DIN	DIN right and left hand
EAN	8054608700239
Finish(es)	Aluminium Chrome (AN 036)
OF-NR.	AN 036



ANSELMi - AN 108 3D SC45

VPE	pack of 1
DIN	DIN right and left hand
EAN	8054608700192
Finish(es)	Polished Brass (AN 037)
OF-NR.	AN 037
VPE	pack of 1
DIN	DIN right and left hand
EAN	8054608700208
Finish(es)	Polished Chrome (AN 039)
OF-NR.	AN 039
VPE	pack of 1
DIN	DIN right and left hand
EAN	8054608700246
Finish(es)	Satin Nickel (AN 044)
OF-NR.	AN 044
VPE	pack of 1
DIN	DIN right and left hand
EAN	8054608700215
Finish(es)	RAL 9016 Traffic White (AN 049)
OF-NR.	AN 049
VPE	pack of 1
DIN	DIN right and left hand
EAN	8054608700222