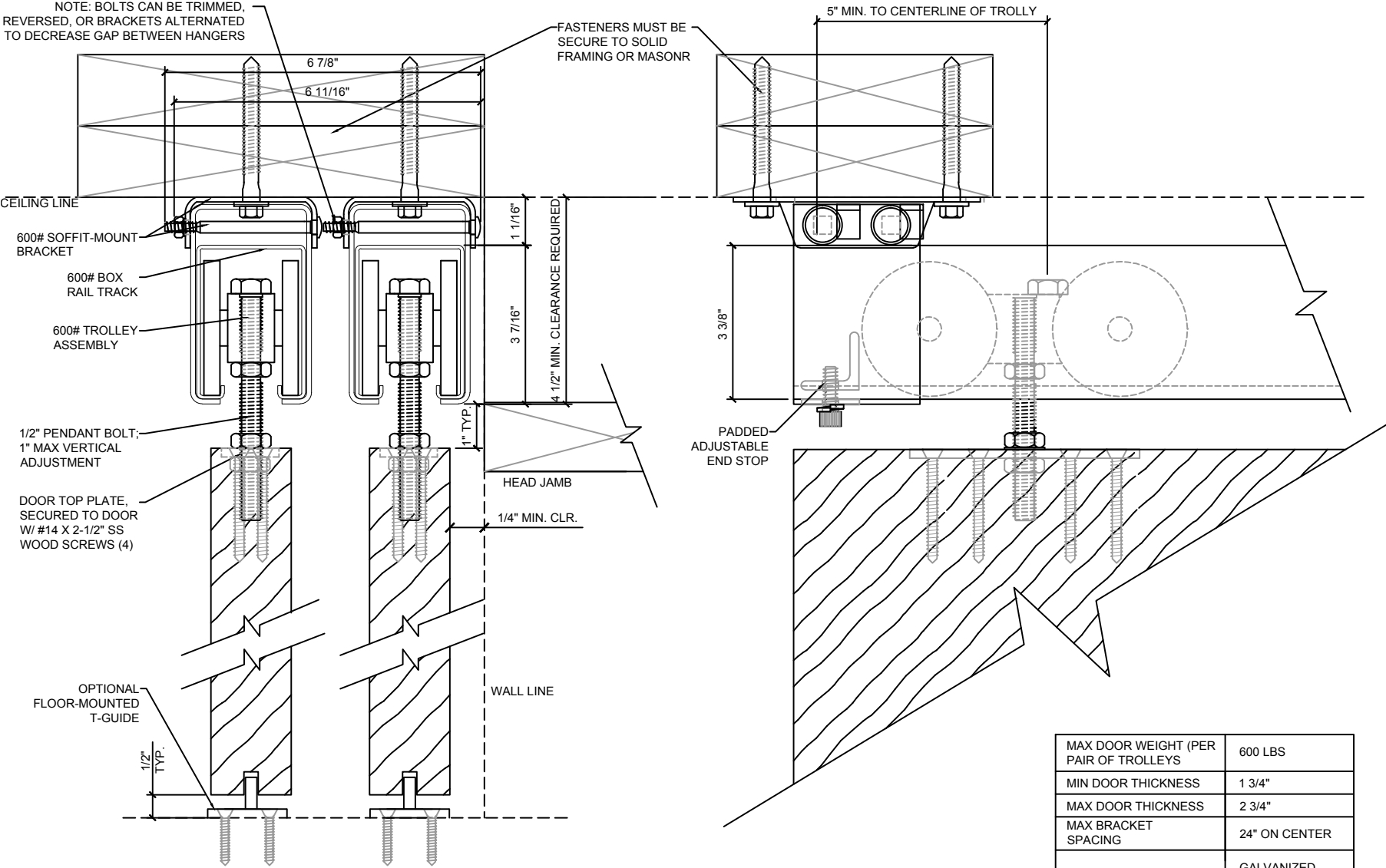


#600 BOX-RAIL, SOFFIT MOUNT BY-PASS



MAX DOOR WEIGHT (PER PAIR OF TROLLEYS)	600 LBS
MIN DOOR THICKNESS	1 3/4"
MAX DOOR THICKNESS	2 3/4"
MAX BRACKET SPACING	24" ON CENTER
FINISHES AVAILABLE	- GALVANIZED - POWDERCOATED

REALCRAFT, INC.

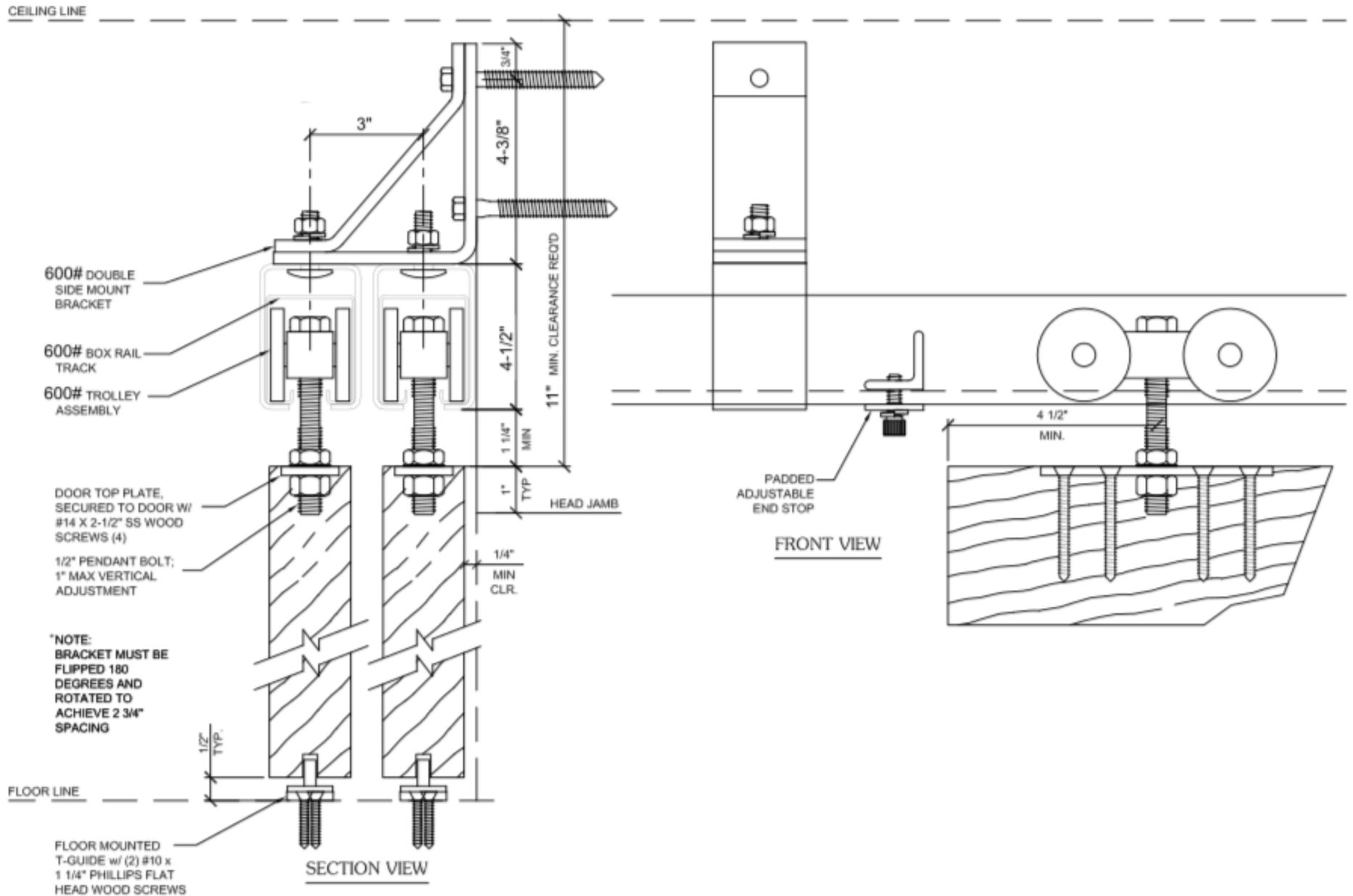
9770 44th Ave. NW
Gig Harbor, WA 98332

Tel: (800) 694-5977
Fax: (253) 649-4241

REALCRAFT

This print is the property of RealCraft Inc.
Updated: October 27, 2020

#600 BOX-RAIL, WALL MOUNT BY-PASS



REALCRAFT, INC.

9770 44th Ave. NW
Gig Harbor, WA 98332

Tel: (800) 694-5977
Fax: (253) 649-4241

REALCRAFT

This print is the property of RealCraft Inc.
Updated: October 27, 2020